

4

3

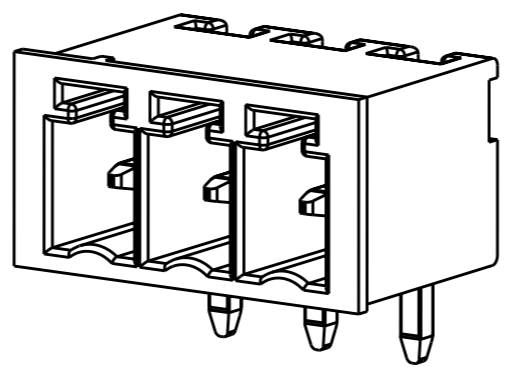
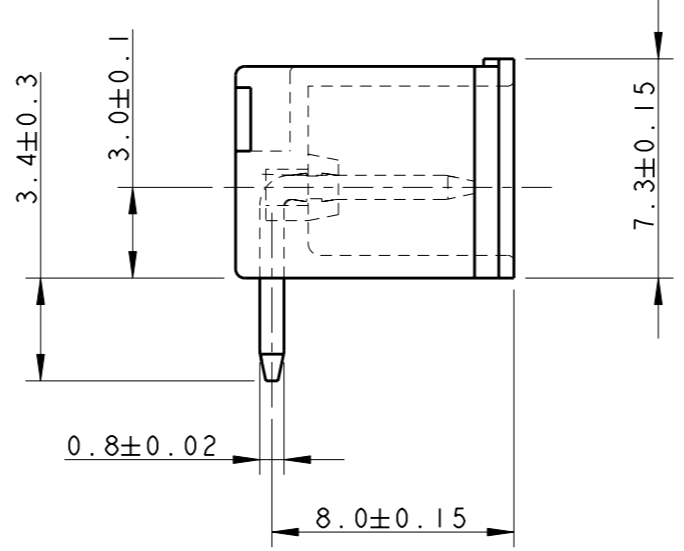
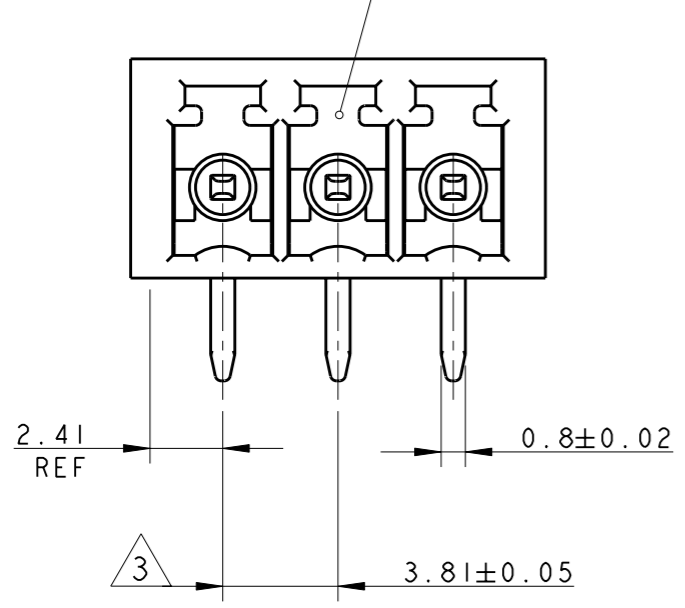
2

1

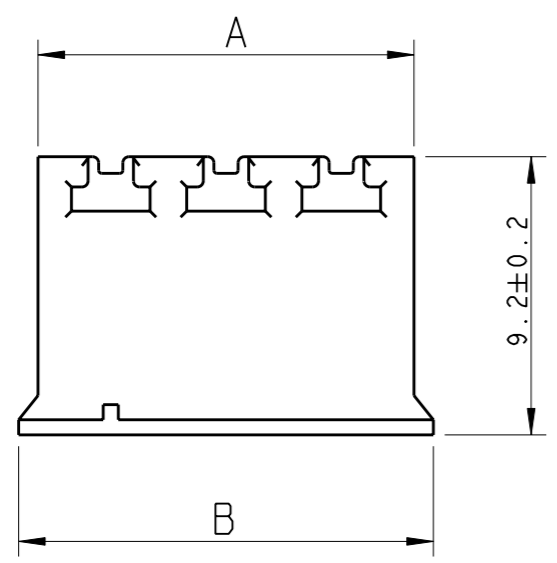
THIS DRAWING IS UNPUBLISHED. RELEASED FOR PUBLICATION 20
 © COPYRIGHT 20 ALL RIGHTS RESERVED.

| LOC | DIST | REVISIONS | | | |
|-----|------|-------------|---------------------------|-----------|-----------|
| P | LTR | DESCRIPTION | DATE | DWN | APVD |
| FT | 0 | C1 | REVISED PER ECO-11-005294 | 06APR2011 | RK HMR |

POLARIZATION KEY SLOT

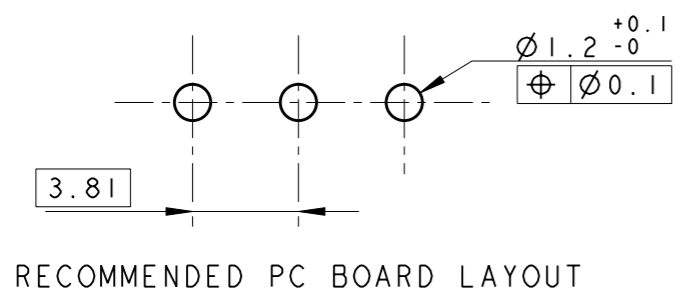


284513-3 AS SHOWN



- 1 MATERIALS AND FINISH
 HOUSING : PA 6.6, UL 94-V0, COLOR GREEN
 TERMINAL : PHOSPHOR BRONZE, TIN PLATED
- 2 SUITABLE FOR 1.6-2.4 mm. PC BOARD THICKNESS
- 3 NOT CUMULATIVE TOLERANCE

| B | A | NO OF POS | PART NUMBER |
|-------|-------|-----------|-------------|
| 97.54 | 96.26 | 25 | 2-284513-5 |
| 93.73 | 92.45 | 24 | 2-284513-4 |
| 89.92 | 88.64 | 23 | 2-284513-3 |
| 86.11 | 84.83 | 22 | 2-284513-2 |
| 82.30 | 81.02 | 21 | 2-284513-1 |
| 78.49 | 77.21 | 20 | 2-284513-0 |
| 74.68 | 73.40 | 19 | 1-284513-9 |
| 70.87 | 69.59 | 18 | 1-284513-8 |
| 67.06 | 65.78 | 17 | 1-284513-7 |
| 63.25 | 61.97 | 16 | 1-284513-6 |
| 59.44 | 58.16 | 15 | 1-284513-5 |
| 55.63 | 54.35 | 14 | 1-284513-4 |
| 51.82 | 50.54 | 13 | 1-284513-3 |
| 48.01 | 46.73 | 12 | 1-284513-2 |
| 44.20 | 42.92 | 11 | 1-284513-1 |
| 40.39 | 39.11 | 10 | 1-284513-0 |
| 36.58 | 35.30 | 9 | 284513-9 |
| 32.77 | 31.49 | 8 | 284513-8 |
| 28.96 | 27.68 | 7 | 284513-7 |
| 25.15 | 23.87 | 6 | 284513-6 |
| 21.34 | 20.06 | 5 | 284513-5 |
| 17.53 | 16.25 | 4 | 284513-4 |
| 13.72 | 12.44 | 3 | 284513-3 |
| 9.91 | 8.63 | 2 | 284513-2 |



RECOMMENDED PC BOARD LAYOUT

| | | | | |
|--|--|-----------------------------------|--|--|
| THIS DRAWING IS A CONTROLLED DOCUMENT. | | DWN E. ZANOLINI 06FEB2002 | TE Connectivity TERMINAL BLOCK, HEADER ASSEMBLY 90 DEGREES, CLOSED ENDS 3.81mm PITCH | |
| DIMENSIONS: mm | | CHK E. ZANOLINI 06FEB2002 | | |
| TOLERANCES UNLESS OTHERWISE SPECIFIED: | | APVD D. BIEVENOUR 06FEB2002 | NAME | |
| 0 PLC ±. 1 PLC ±.3 2 PLC ±.25 3 PLC ±. 4 PLC ±. ANGLES ±2 | | PRODUCT SPEC 108-20166 | SIZE | |
| MATERIAL | | APPLICATION SPEC 114-20079 | CAGE CODE | |
| FINISH | | WEIGHT | DRAWING NO | |
| 1 1 | | CUSTOMER DRAWING | RESTRICTED TO | |
| | | SCALE 4:1 | SHEET 1 OF 1 | |
| | | | REV C1 | |

Mouser Electronics

Authorized Distributor

Click to View Pricing, Inventory, Delivery & Lifecycle Information:

[TE Connectivity:](#)

[284513-6](#)