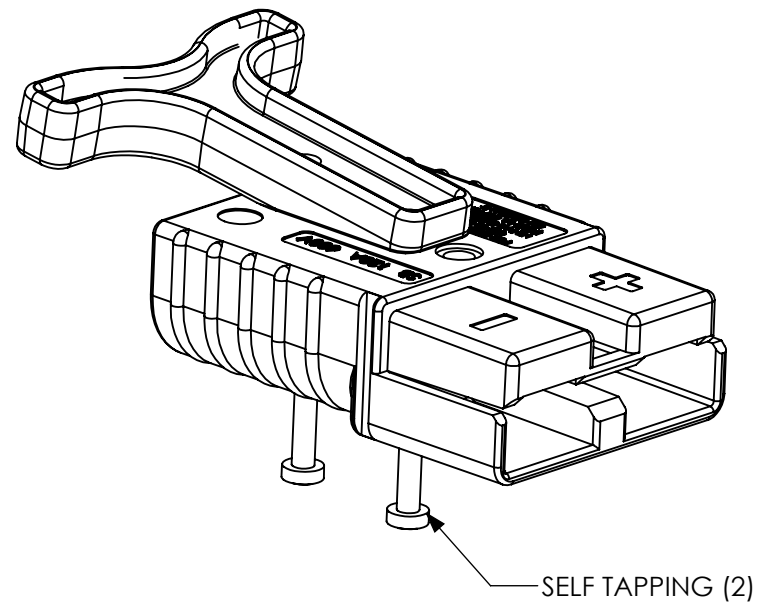
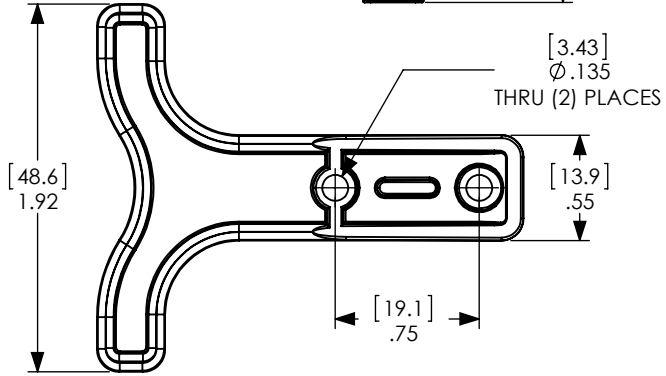
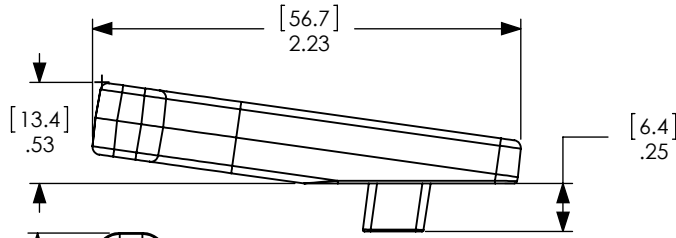
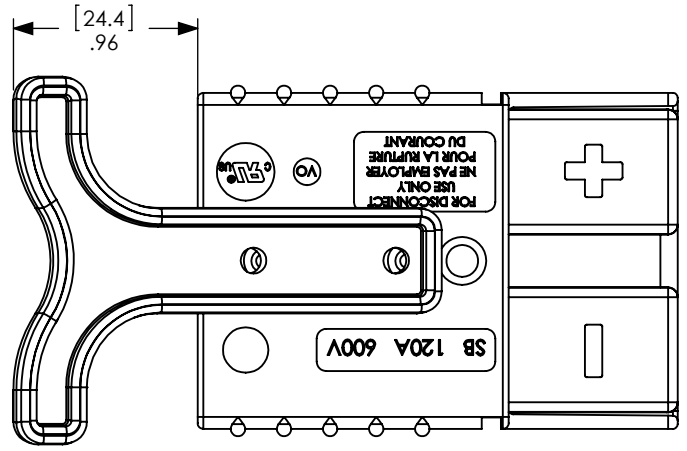


THE INFORMATION CONTAINED IN THIS DRAWING IS THE SOLE PROPERTY OF ANDERSON POWER PRODUCTS. ANY REPRODUCTION IN PART OR WHOLE WITHOUT THE WRITTEN PERMISSION OF ANDERSON POWER PRODUCTS IS PROHIBITED.

Copyright 2002

ANDERSON POWER PRODUCTS RESERVES THE RIGHT TO ALTER PRODUCT TYPES, THEIR TECHNICAL DATA, DIMENSION, STYLE AND ACCESSORIES WITHOUT PRIOR NOTIFICATION.



NOTES:

1. SCREWS: STEEL, ZINC PLATED
2. KIT INCLUDES HANDLE AND TWO SELF TAPPING SCREWS
3. CONNECTOR SOLD SEPARATELY

REV.	DESCRIPTION	APPRV	DATE
2	ECRN-15046 REVISE AND REDRAW	TWE	1/18/12
1	ECRN-14075 ADD .25 DIM	JA	10/24/06
REVISIONS			

DIMENSIONS ARE IN:	INCH [MM]	APPROVALS		 ANDERSON POWER PRODUCTS
UNLESS OTHERWISE STATED		DRAWN	1/25/2002	
TOLERANCES:		CMS		
DECIMALS (INCH)	DECIMALS (MM)	CHECKED	2/1/2002	
.XX ±.02	.X ±.5	DJD		
SURFACE FINISH:		MFG APPRV	2/5/2002	TITLE CATALOG NUMBER: SB120-HDL-RED SB120 PLASTIC HANDLE
MACHINED	128µin [3.2µ]	UFN		
MOLDED	64µin [1.6µ]	QC APPRV	2/5/2002	
MATERIAL:		CHB		SIZE A DWG NO. 113923S2 REV. 2
PC FINISH:		ENG APPRV	2/1/2002	
		RPO		SCALE NONE CADFILE 01575 SHEET 1 OF 1
		-CAD GENERATED DRAWING- DO NOT MANUALLY UPDATE DO NOT SCALE		

Mouser Electronics

Authorized Distributor

Click to View Pricing, Inventory, Delivery & Lifecycle Information:

[Anderson Power Products:](#)

[6800G2](#) [6801G2](#) [6802G3](#) [SB120-HDL-RED](#)