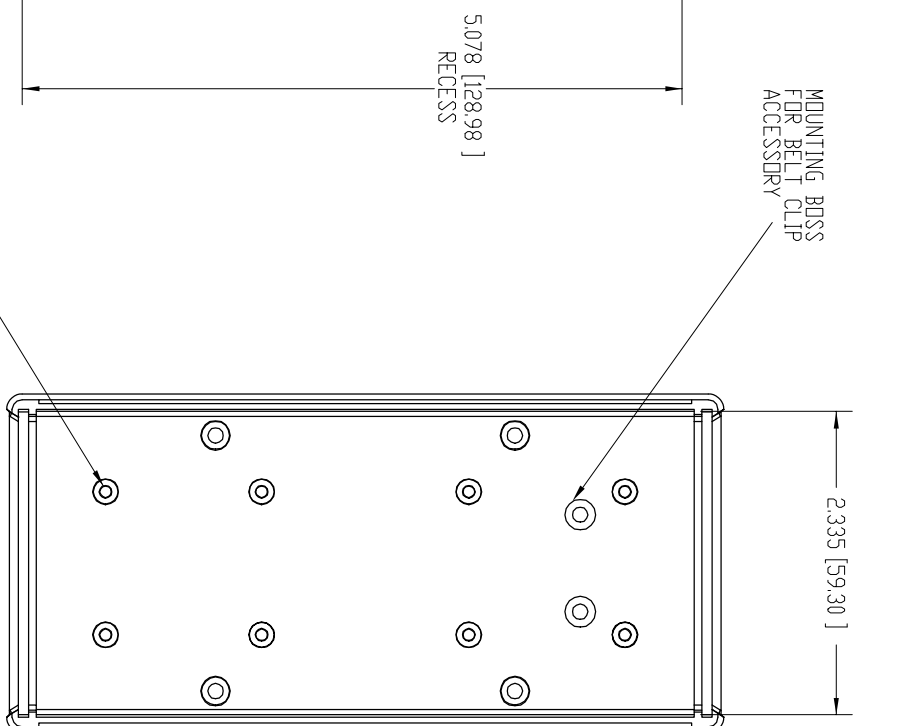
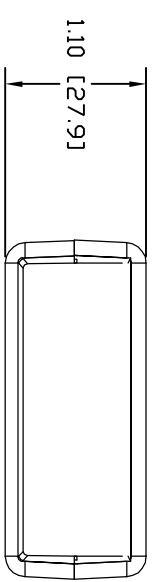


5.078 [128.98] RECESS

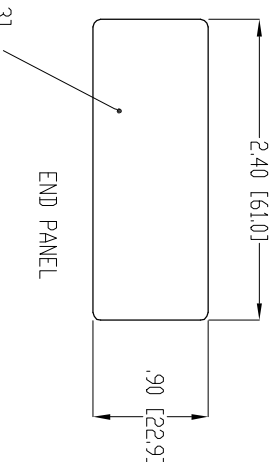
Ø .098 [2.50] MOUNTING HOLE TYP. FOR M2.5 OR #4 SHEET METAL SCREW



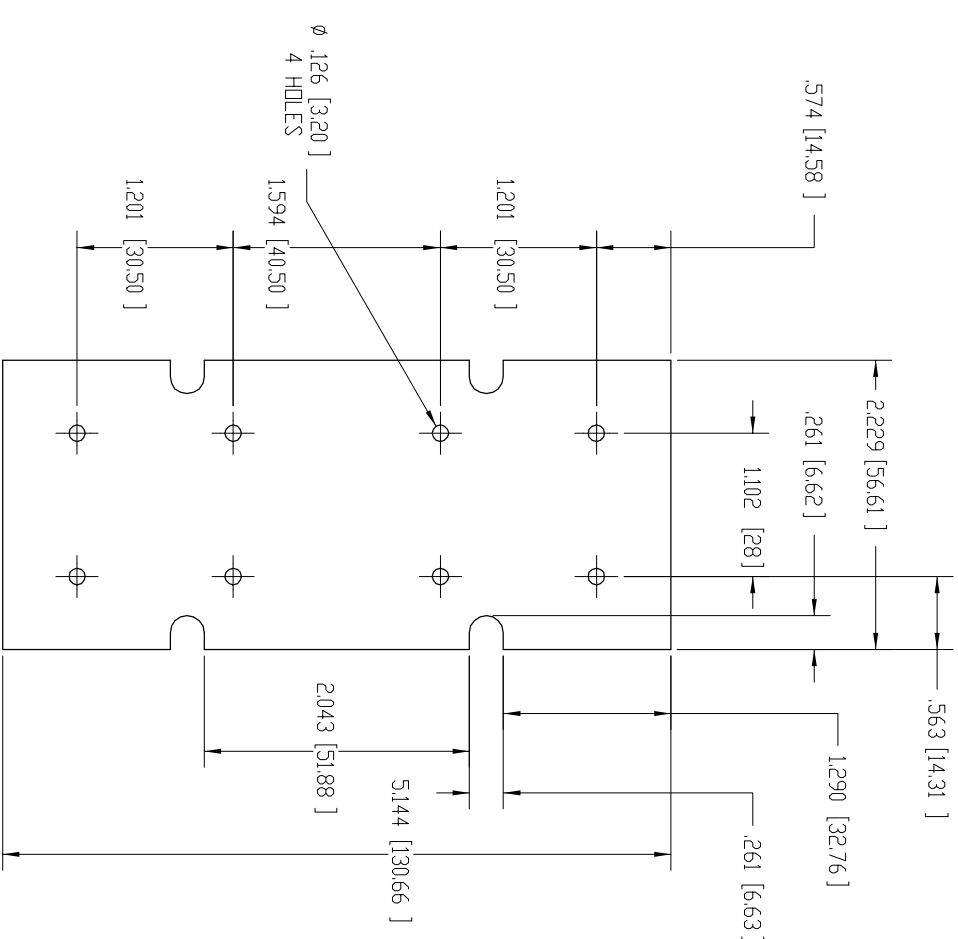
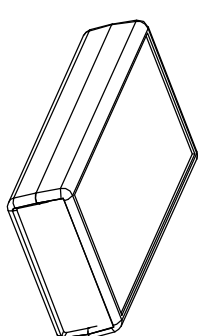
VIEW OF BOTTOM HALF



2.40 [61.0] VIEWING AREA 2.28 [57.9] X .84 [21.3]



END PANEL



MAXIMUM PC BOARD SIZE CUSTOMER SUPPLIED

MATERIAL AND FINISH:
 BLACK HIGH-IMPACT ABS (UL94-HB) - TOP, BOTTOM, AND END PANEL
 FOUR (4) M3 X .63 [1.61] LG SCREWS SUPPLIED FOR ASSEMBLY
 OPTIONAL ACCESSORIES:
 INFRARED PANELS P/N HP-3645
 BELT CLIP (BLACK) P/N HH-3595-BCB

Mouser Electronics

Authorized Distributor

Click to View Pricing, Inventory, Delivery & Lifecycle Information:

[Bud Industries:](#)

[HP-3654-B](#)