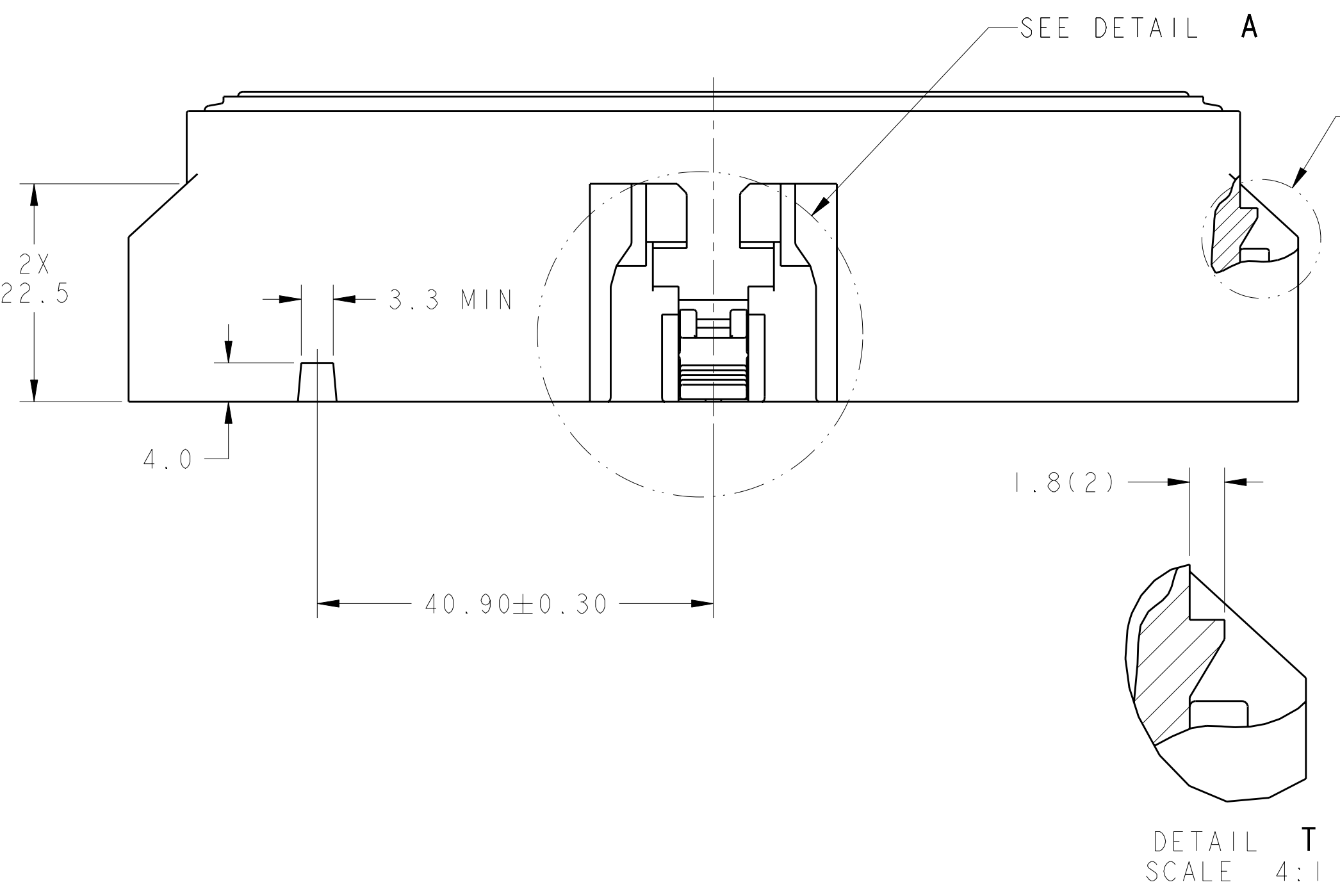
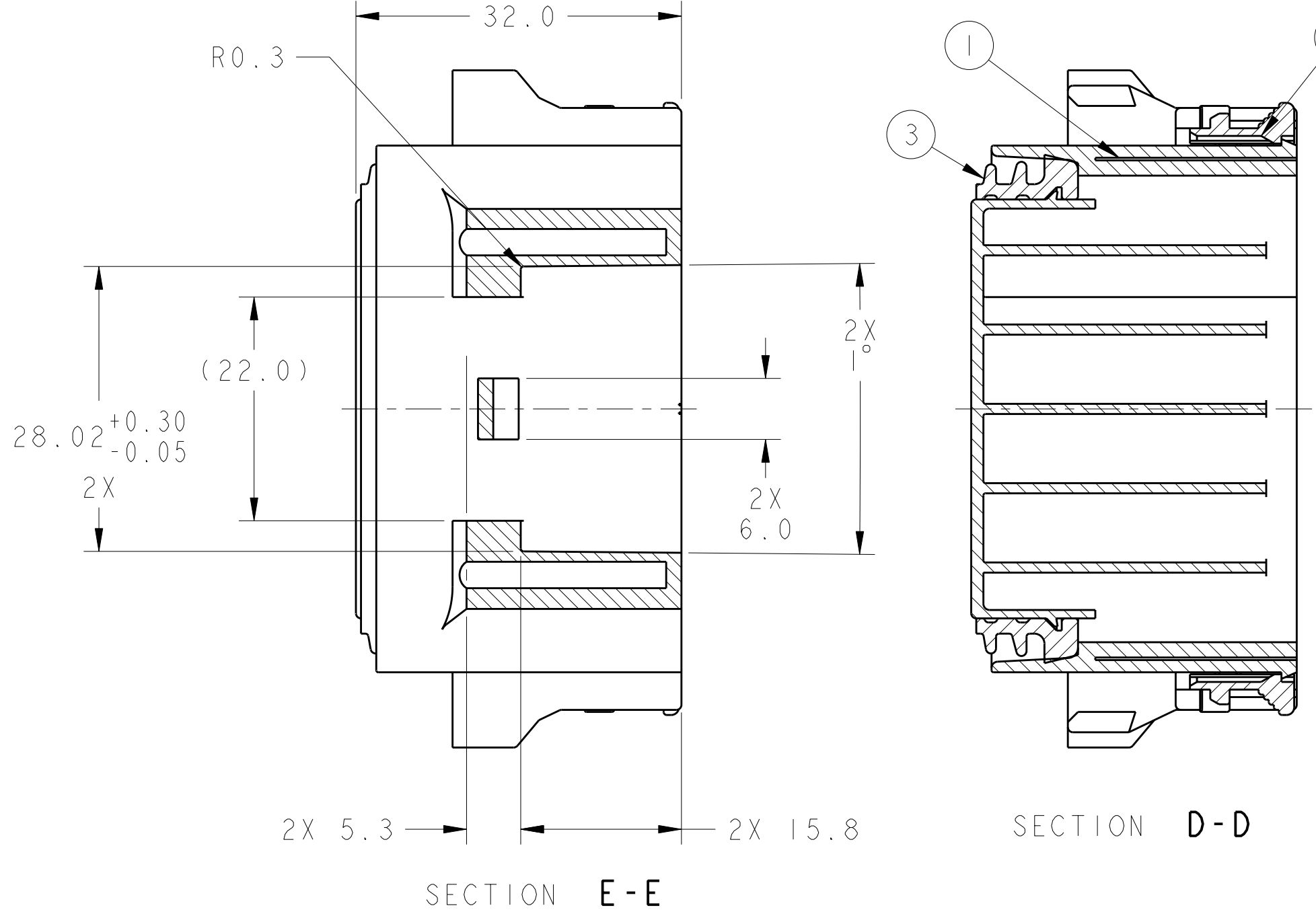
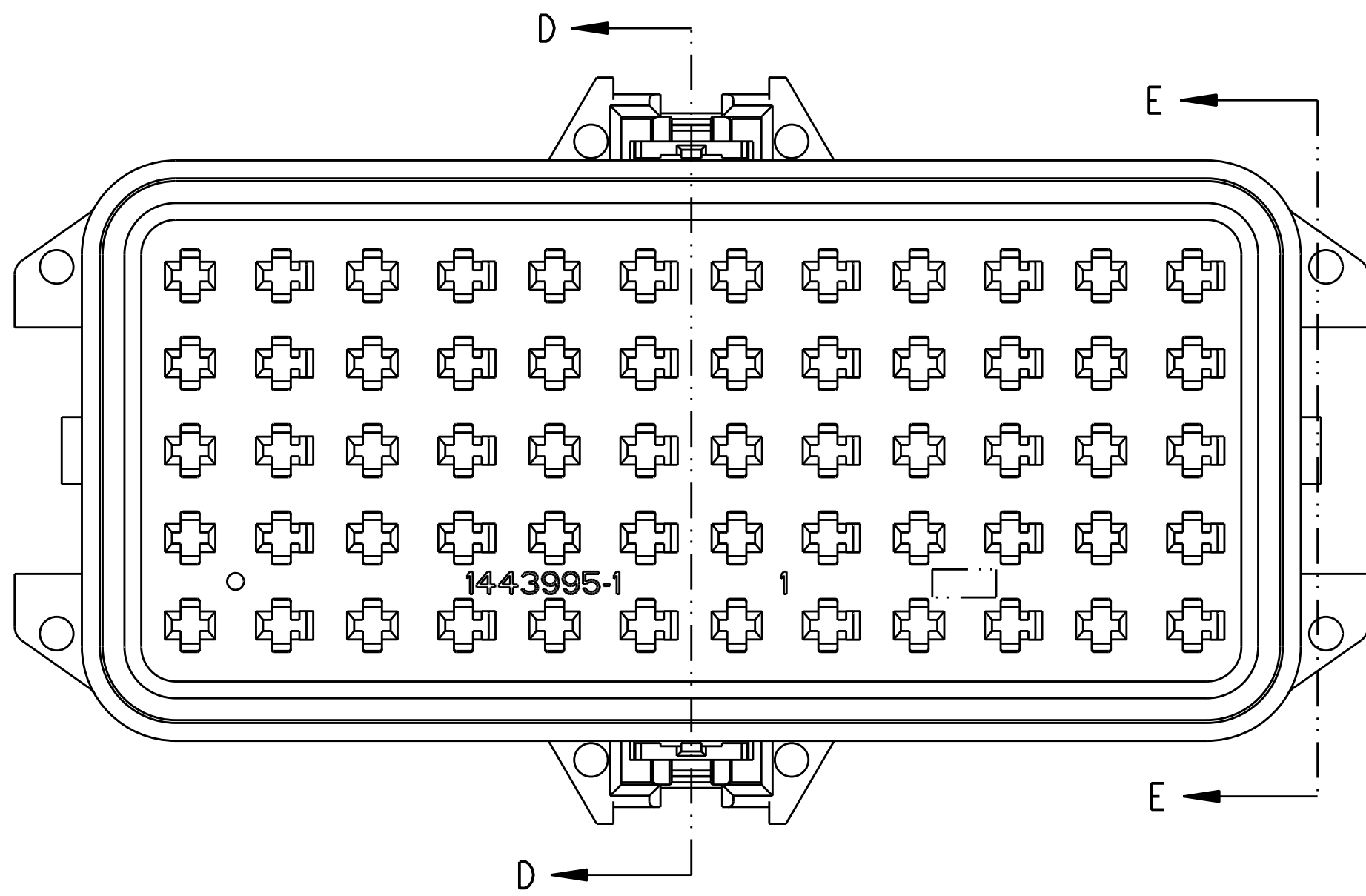


THIS DRAWING IS UNPUBLISHED. RELEASED FOR PUBLICATION 20  
 © COPYRIGHT 20 BY - ALL RIGHTS RESERVED.

REVISIONS					
P	LTR	DESCRIPTION	DATE	DWN	APVD
R		REVISED PER ECO-11-024165	16NOV2011	DD	JS
RI		REVISED PER ECO-12-011154	14JUN2012	DD	JS



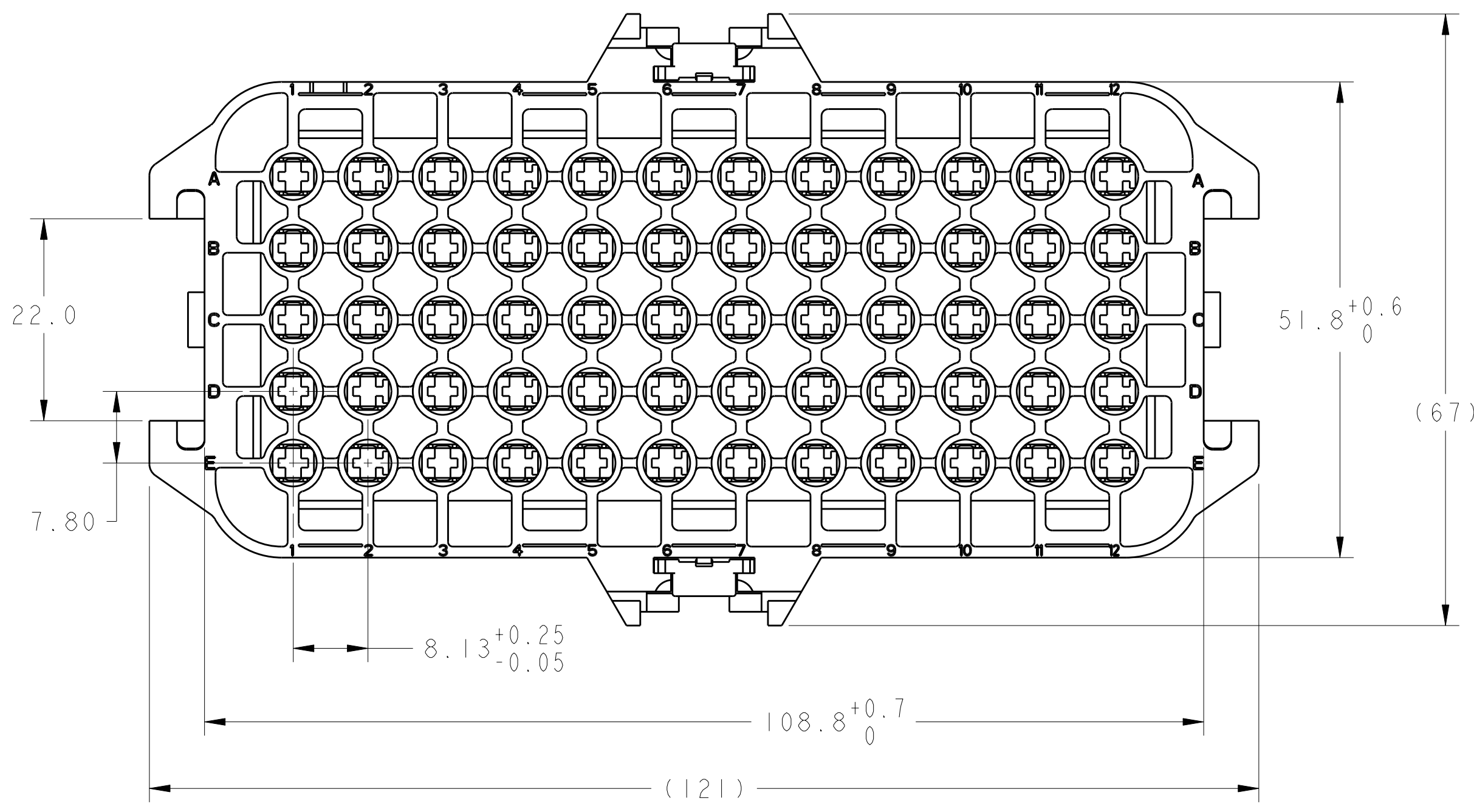
- SEE TE CONNECTIVITY CUSTOMER DRAWING 1355036 FOR TERMINAL SELECTION. MAX WIRE SIZE 14 AWG FOR SEALED WIRE APPLICATION.
- FUSE PULLER AVAILABLE- TE CONNECTIVITY PART NUMBER 1443998-1.

QTY	PART NO	DESCRIPTION	MATERIAL	ITEM NO
1	1443912-1	SEAL, 60 POSN	VMQ	3
-	2	776467-1	PBT-GF15, RED	2
1	1443995-1	BASE, 60 POSN	PBT-GF30, BLACK	1
ASSEMBLY 1443997				

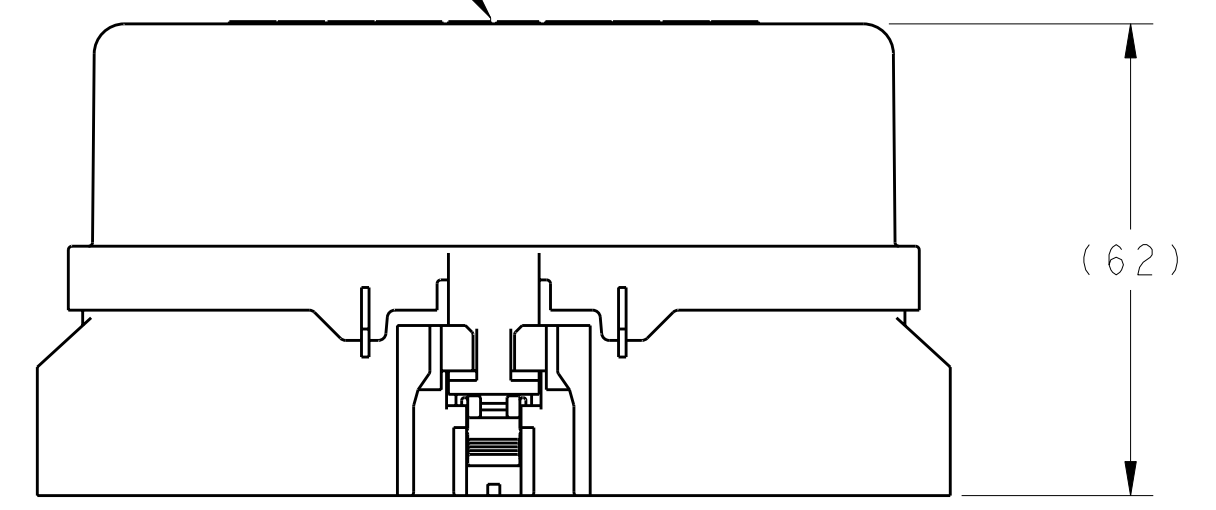
THIS DRAWING IS A CONTROLLED DOCUMENT.		DWN K. BOYD 17MAY2005	<b>STE</b> TE Connectivity
DIMENSIONS: mm		CHK K. BOYD 17MAY2005	
TOLERANCES UNLESS OTHERWISE SPECIFIED:		APVD R. MCCRAW 17MAY2005	
0 PLC ±1 1 PLC ±0.25 2 PLC ±0.15 3 PLC ± 4 PLC ± ANGLES ± FINISH ±		NAME BASE ASSEMBLY, 60 POSITION, BBD	
MATERIAL		WEIGHT	SIZE A200779
		CUSTOMER DRAWING	CAGE CODE C-1443997
			DRAWING NO 1443997
			RESTRICTED TO
			SCALE 2:1 SHEET 1 OF 2 REV RI

THIS DRAWING IS UNPUBLISHED. RELEASED FOR PUBLICATION 20  
 © COPYRIGHT 20 BY - ALL RIGHTS RESERVED.

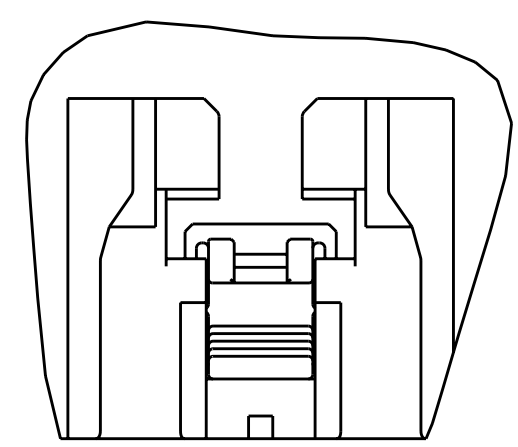
LOC	DIST	REVISIONS			
P	LTR	DESCRIPTION	DATE	DWN	APVD
HK	00	-	SEE SHEET 1	-	-



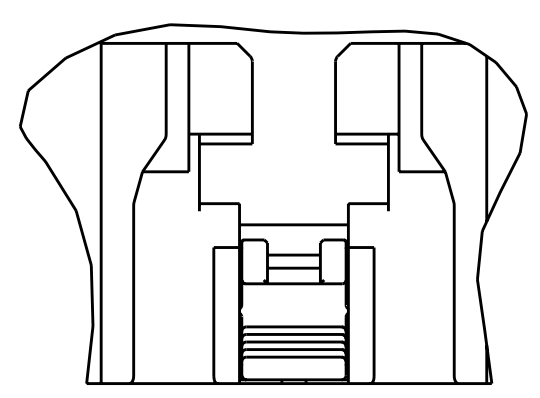
COVER, 60 POSITION  
 SEE TE CONNECTIVITY  
 CUSTOMER DRAWING  
 1443996



VIEW FOR REFERENCE ONLY  
 (COVER NOT INCLUDED)  
 SCALE 1:1



CPA CLOSED POSITION



CPA OPEN POSITION  
 (AS SHIPPED)

APPLIES TO 1443997-1 ONLY

THIS DRAWING IS A CONTROLLED DOCUMENT.		DWN K. BOYD 17MAY2005	TE Connectivity	
DIMENSIONS: mm		CHK K. BOYD 17MAY2005		
TOLERANCES UNLESS OTHERWISE SPECIFIED:		APVD R. MCCRAW 17MAY2005	NAME BASE ASSEMBLY, 60 POSITION, BBD	
0 PLC ±1 1 PLC ±0.25 2 PLC ±0.15 3 PLC ± 4 PLC ± ANGLES ± FINISH		PRODUCT SPEC -	SIZE A200779	DRAWING NO C-1443997
MATERIAL -		APPLICATION SPEC -	RESTRICTED TO -	
		WEIGHT -	SCALE 2:1	SHEET 2 OF 2
		CUSTOMER DRAWING	REV RI	

# Mouser Electronics

Authorized Distributor

Click to View Pricing, Inventory, Delivery & Lifecycle Information:

[TE Connectivity:](#)

[1443997-2](#)