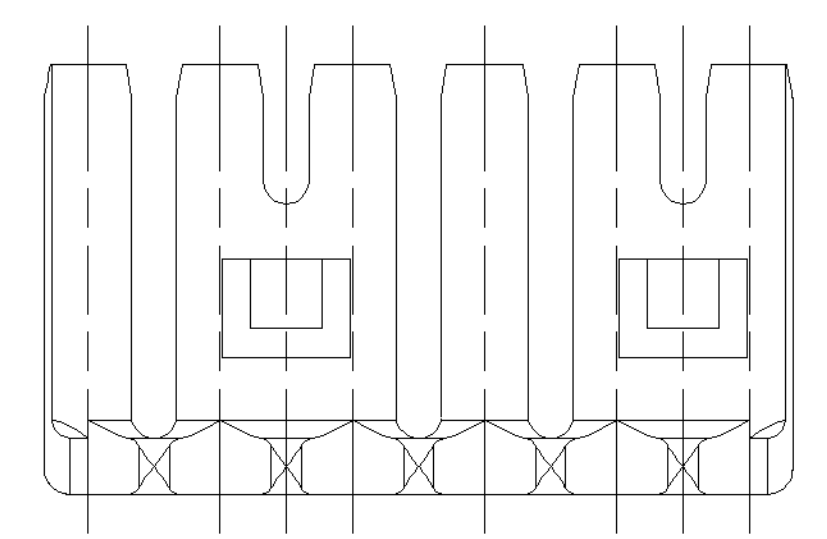
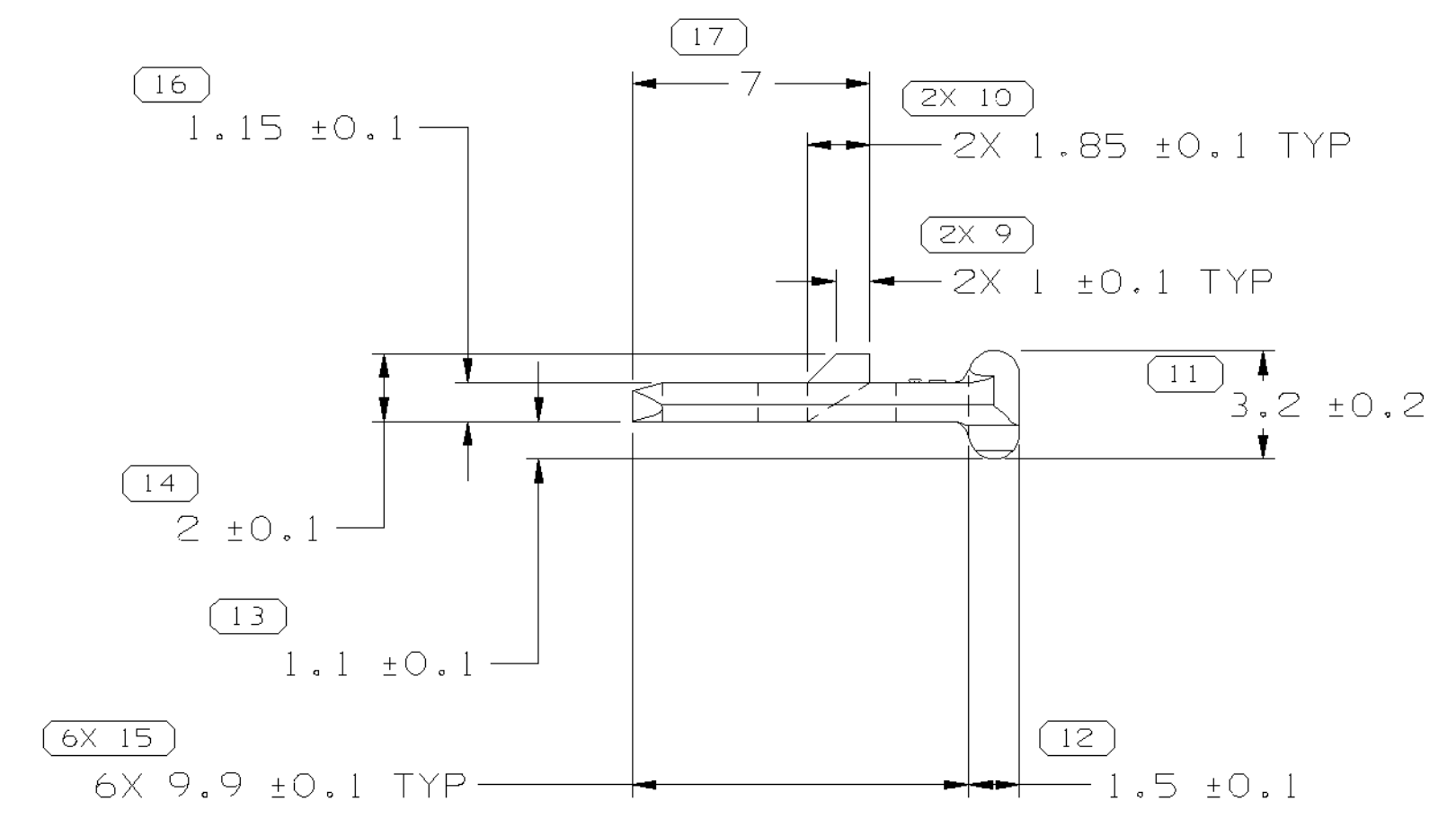
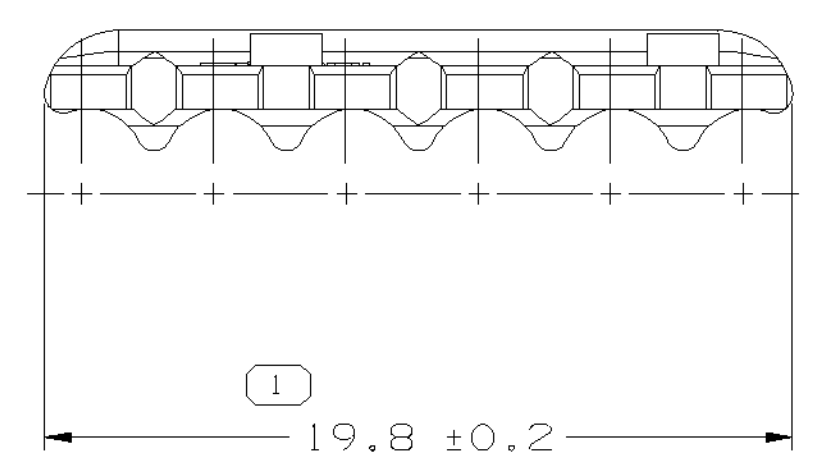
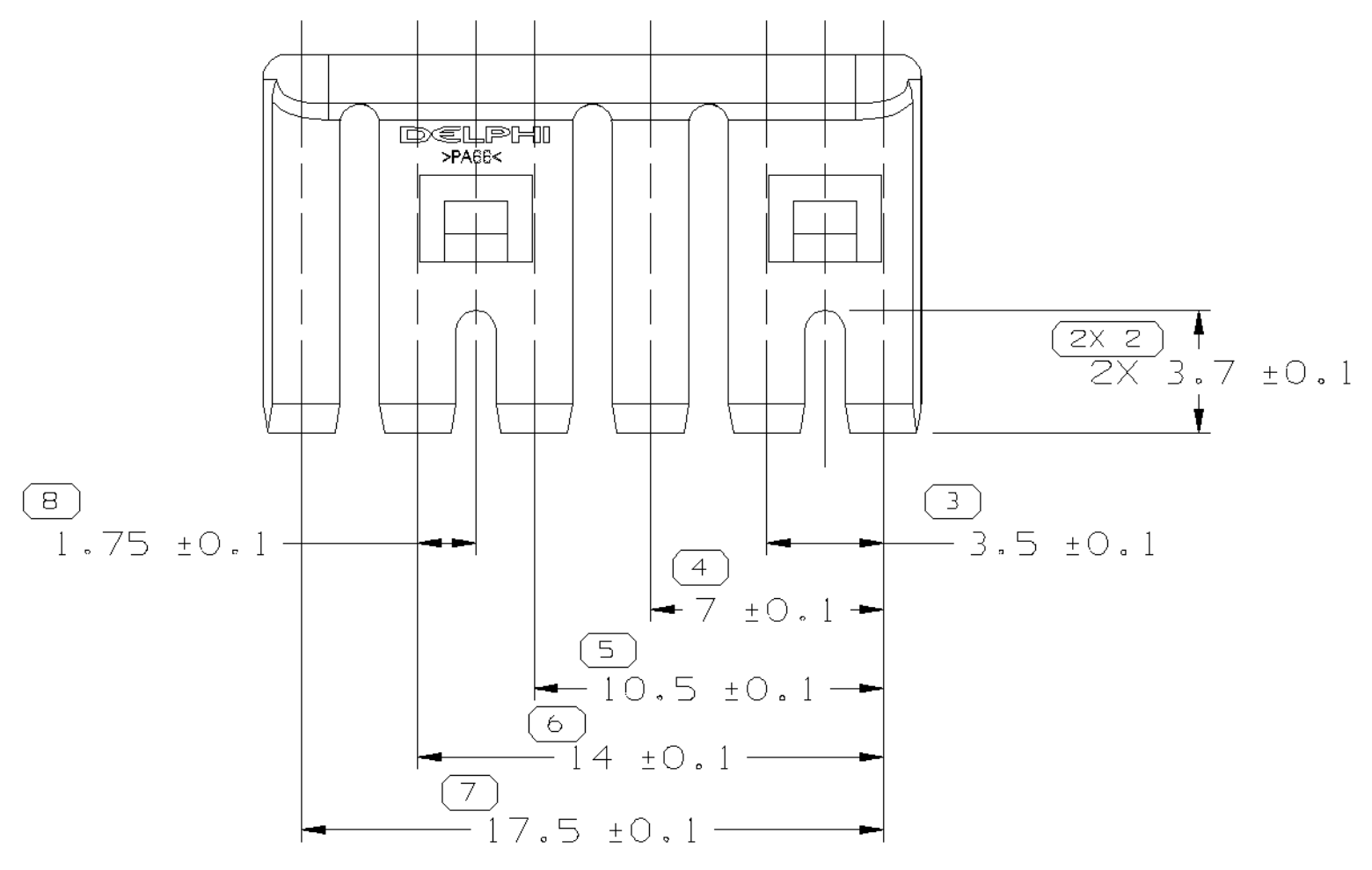


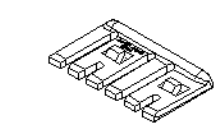
SYMBOL DEFINITION		MISSING SYMBOLS	
A DIMENSION WITHOUT AN INSPECTION REPORT SYMBOL () DOES NOT REQUIRE INSPECTION. IT MAY BE CONTROLLED ON THE INDIVIDUAL COMPONENT DRAWING.	TOTAL NO OF INSPECTIONS REQUIRED	NO MISSING SYMBOL NUMBER	
	25		
	LAST NO. USED		
	17		

DWG STATUS					ZONE	REVISION HISTORY			AUTH	DR	APVD1	APVD2
DATE	STG	REV	N/P	CHG								
30NO01	R	A6	-	-		CREATED PD & REVISED MAT'L SPEC			218010	KGP	RVP	GMC



NOTES

- UNLESS OTHERWISE SPECIFIED AND/OR INDICATED: DIMENSIONS ARE TO FACE OF VIEW SHOWN AND AUTOMATICALLY ROUNDED BY COMPUTER FOR INSPECTION (SEE MATH MODEL FOR PRECISE DIMENSIONS). FOR ALL OTHER DIMENSIONS NOT SHOWN BUT REQUIRED FOR TOOL BUILD, SEE MATH MODEL FOR PRECISE TOOL PATH DATA.
- MATERIAL RECYCLING CODE >PA66< PER SAE J1344. (2.3)X(0.1) RAISED CHARACTERS AS SHOWN TO BE LOCATED ON ANY EXTERIOR SURFACE. OPTIONAL CONSTRUCTION TO BE NO MATERIAL RECYCLING CODE.
- THIS PART IS NOT CONTROLLED FOR AUTOMATIC FEEDING.
- MATING COMPONENTS OR EQUIVALENT: 12064860
- (2.3)X(0.1) RAISED DELPHI CORPORATE BRAND TO BE LOCATED ON ANY EXTERIOR SURFACE, PREFERABLY VISIBLE AT FINAL ASSEMBLY. OPTIONAL CONSTRUCTION TO BE "PED" OR NO LOGO.



DELPHI
 DELPHI PACKARD ELECTRIC SYSTEMS
 WARREN, OH

DR	DATE
APVD1 K. GUILLEN	12AP02
APVD2 R. VILLANUEVA	15AP02
APVD3 G. MACIAS	18AP02
APVD4	
APVD5	

MATERIAL M3592025 PA66 1M H5 GRA MD

DRAWING NAME TPA M/P 150

DRAWING NUMBER 12064861

SIZE	SCALE	FRAME NO	SHEET NO	STG	REV	N/P
A1	5:1	1 OF 1	1 OF 1	R	A6	-

DWG TYPE PART DRAWING	
STYLE	
VOLUME (CM ³) 0.226	DISTR CODE D
ROUTING 6900	
UNLESS OTHERWISE SPECIFIED	
THIS DOCUMENT IS IN ACCORDANCE WITH ASME Y14.5M-1994 AND RELATED DATUMS APPLY RFS. RULE #1 (PERFECT FORM AT MMC) DOES NOT APPLY WHEN RELATIONSHIP BETWEEN FEATURES IS ESTABLISHED BY ORIENTATION OR LOCATION TOLERANCES. SEPARATE POSITION CALLOUTS MAY BE GAGED SEPARATELY, REGARDLESS OF DATUM REFERENCE.	
REFERENCE	
THIRD ANGLE PROJECTION	DO NOT SCALE
USE MATH DATA	UNIGRAPHICS

DIMENSIONAL RANGE (MM)		CHART E1	
FROM	TO	TOLERANCE UNLESS OTHERWISE SPECIFIED	ANGULAR TOLERANCE ±2°
>0	>20	±0.15	
>20	>30	±0.2	
>30	>70	±0.3	
>70	>100	±0.4	
>100	>150	±0.5	
>150	>200	±0.6	
>200	>250	±0.8	
>250	>300	±1	
>300	>400	±1.2	

(17) PROCESS SENSITIVE DIMENSION

DIMENSIONS ENCLOSED IN () INDICATE REFERENCE DIMENSIONS AND NO TOLERANCE LIMITS ARE ESTABLISHED

SHARP CORNER TOLERANCE R 0.2 MAX R 0.1 MAX

Mouser Electronics

Authorized Distributor

Click to View Pricing, Inventory, Delivery & Lifecycle Information:

[Aptiv:](#)

[12064861](#)