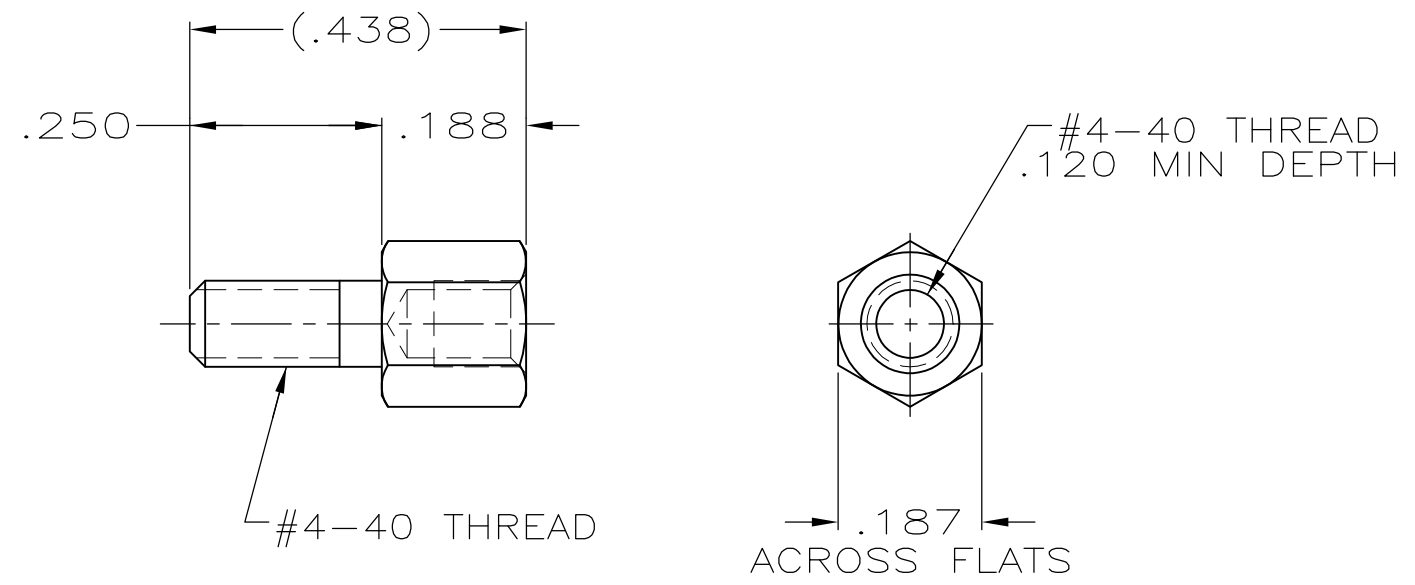



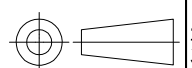
THIS DRAWING IS UNPUBLISHED. RELEASED FOR PUBLICATION
 © COPYRIGHT - By - ALL RIGHTS RESERVED.

LOC	DIST	REVISIONS					
GP	00	P	LTR	DESCRIPTION	DATE	DWN	APVD
		P		REVISED PER ECO-11-004835	19APR11	RK	HMR



- 1 ZINC PLATED .000200-.000400 THICK, YELLOW CHROMATE COATING.
- 2 ZINC PLATED .000200-.000400 THICK, CLEAR CHROMATE COATING.

2	5207953-3
1	5207953-2
FINISH	PART NO

THIS DRAWING IS A CONTROLLED DOCUMENT.		DWN	R.RICHARDSON	24JUN05	 TE Connectivity SCREWLOCK, FEMALE, SHORT, AMPLIMITE											
DIMENSIONS: INCHES		CHK	C.ROHDE	24JUN05				NAME								
		APVD	M.WALMSLEY	24JUN05				PRODUCT SPEC								
TOLERANCES UNLESS OTHERWISE SPECIFIED:		APPLICATION SPEC						RESTRICTED TO								
MATERIAL: COLD ROLLED STEEL		FINISH: SEE TABLE			WEIGHT	-										
		CUSTOMER DRAWING			SIZE	A3	CAGE CODE	00779	DRAWING NO	C-5207953	SCALE	4:1	SHEET	1 OF 1	REV	P

Mouser Electronics

Authorized Distributor

Click to View Pricing, Inventory, Delivery & Lifecycle Information:

[TE Connectivity:](#)

[5207953-3](#)