

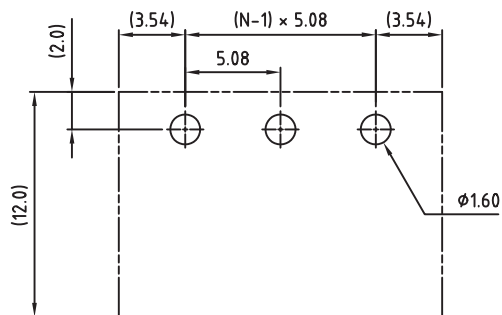
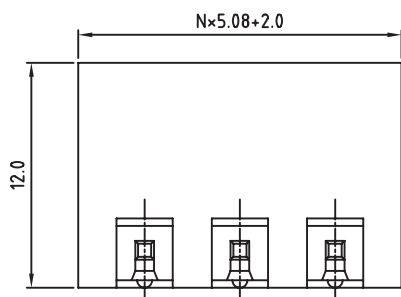
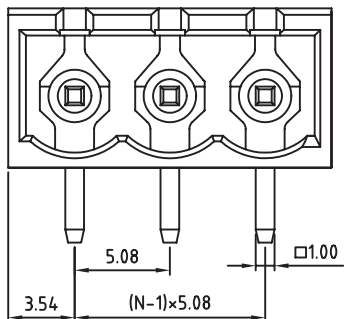
1

2

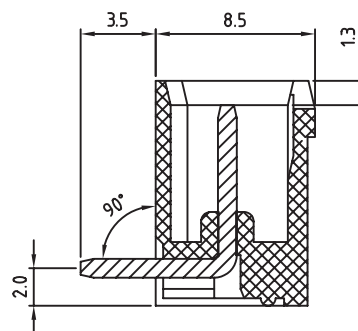
3

4

5



PCB LAYOUT - COMPONENT VIEW



## TECHNICAL CHARACTERISTICS

## MATERIAL

INSULATOR: PBT  
 FLAMABILITY RATING: UL94-V0  
 COLOR: GREEN  
 CONTACT PIN: BRASS (CuZn)  
 SOLDER TAIL PLATING: TIN

## ENVIRONMENTAL

OPERATING TEMPERATURE: -40 UP TO 105°C  
 COMPLIANCE: LEAD FREE AND ROHS

## ELECTRICAL

	cULus	VDE
CURRENT RATING:	20A	20A
WORKING VOLTAGE:	300VAC	300VAC
WITHSTANDING VOLTAGE:	1.6KV	2.5KV
CONTACT RESISTANCE:	20 mOhm MAX	

## STANDARD

CERTIFIED E315414 / MODEL NUMBER 313  
 CERTIFIED 40023195 / MODEL NUMBER 313

## MECHANICAL

PITCH: 5.08MM

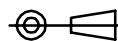
SOLDERING: WAVE PROCESS ONLY

PACKAGING: BOX

SERIE 313

RoHS Compliant

PROJECTION:



GENERAL TOLERANCE

.X = +/- 0.2

.XX = +/- 0.15



APPROVAL: RJ

UNIT: MM

SCALE:

SHEET: 1/1

DRAW: MARVIN

DESCRIPTION: SERIE 313 - 5.08MM CLOSE HORIZONTAL PCB HEADER  
 WR-TBL

WERI PART NO: 691 313 510 0xx

SIZE

**A4**

# Mouser Electronics

Authorized Distributor

Click to View Pricing, Inventory, Delivery & Lifecycle Information:

[Würth Electronics:](#)

[691313510004](#) [691313510003](#) [691313510006](#) [691313510002](#) [691313510005](#) [691313510008](#)