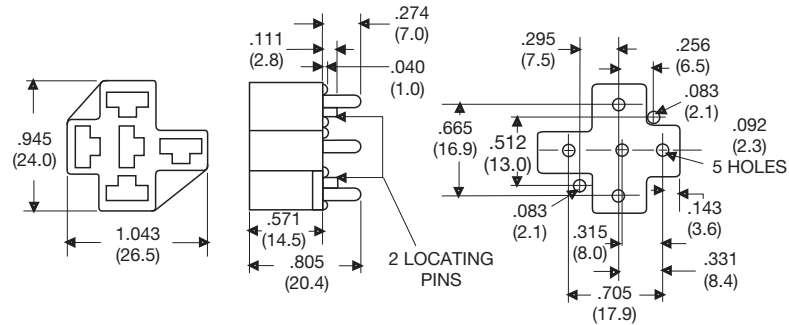


Connectors for Mini ISO Relays

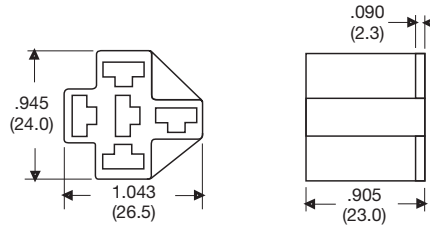
**PCB Socket
VCF4-1000**

(Mounting Recommendation: To keep insertion force away from the PCB the soldering of the socket to the PCB should be done with already inserted relay).



**Connector
VCF4-1001**

(Terminals to be ordered separately).

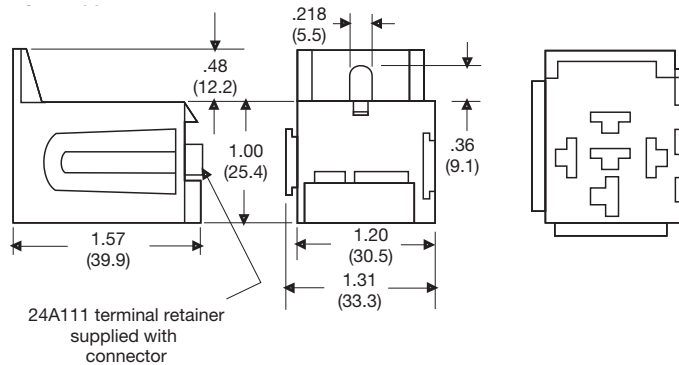


Connector with Mounting Flap

(To be mounted individually or can be interlocked).

VCF4-1002

(Crimp terminals to be ordered separately).



Selection of fitting crimp terminals 1) 2)

Part numbers for connectors		Wire mm ² (AWG)	Quantity required		Part number for crimp terminals
Product code	Part number		Form A	Form C	
VCF4-1000	1393310-3	-	-	-	-
VCF4-1001	3-1393310-7	1.3 - 3.3 (16-12) 0.8 - 2.1 (18-14)	4	5	60249-1 42281-1
VCF4-1002	4-1419106-0	0.5 - 0.8 (20-18) 1.3 - 2.1 (16-14) 3.3 - 5.3 (12-10)	4	5	1-1393310-8 1-1393310-9 2-1393310-0

1) Crimp terminals are to be ordered separately.

2) Mentioned crimp terminals are delivered in strip form. Loose pieces and hand tool available on request.

Mouser Electronics

Authorized Distributor

Click to View Pricing, Inventory, Delivery & Lifecycle Information:

[TE Connectivity:](#)

[1-1393310-9](#) [1-1393310-9 \(Mouser Reel\)](#) [1-1393310-9 \(Cut Strip\)](#)