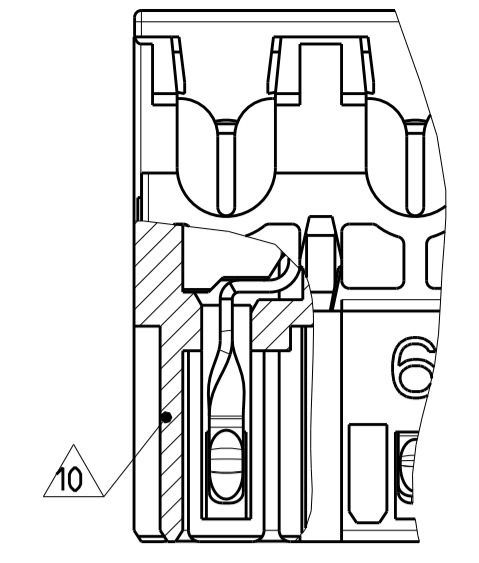
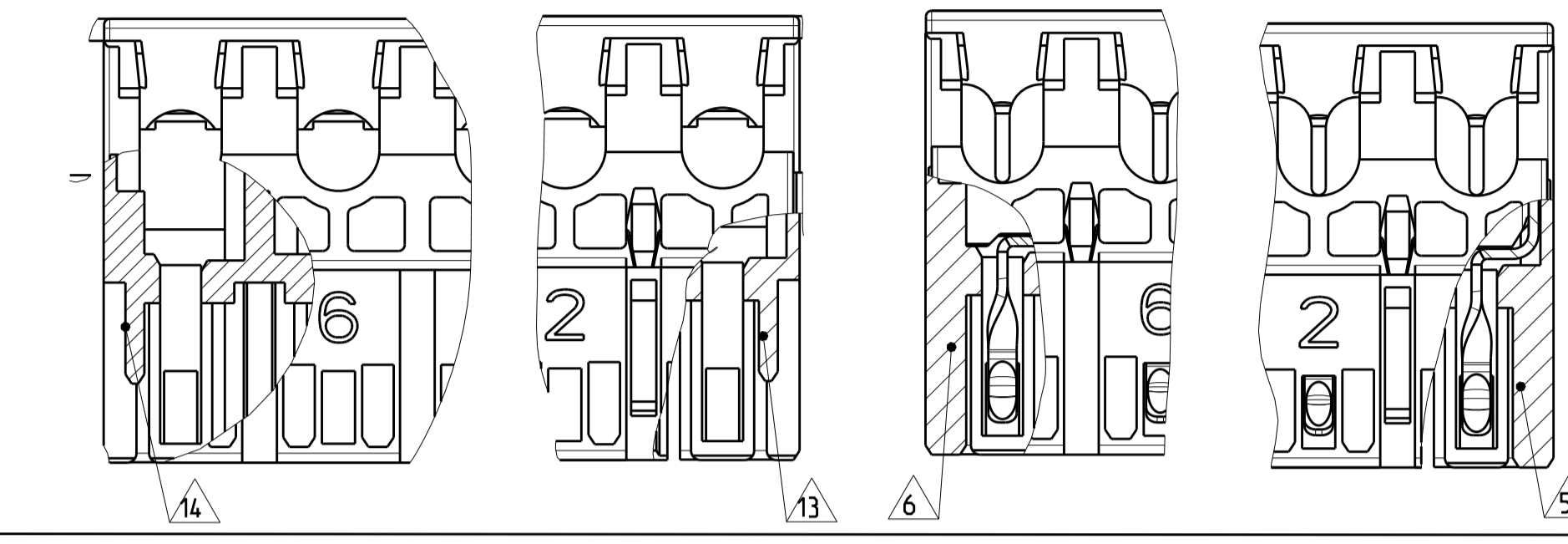
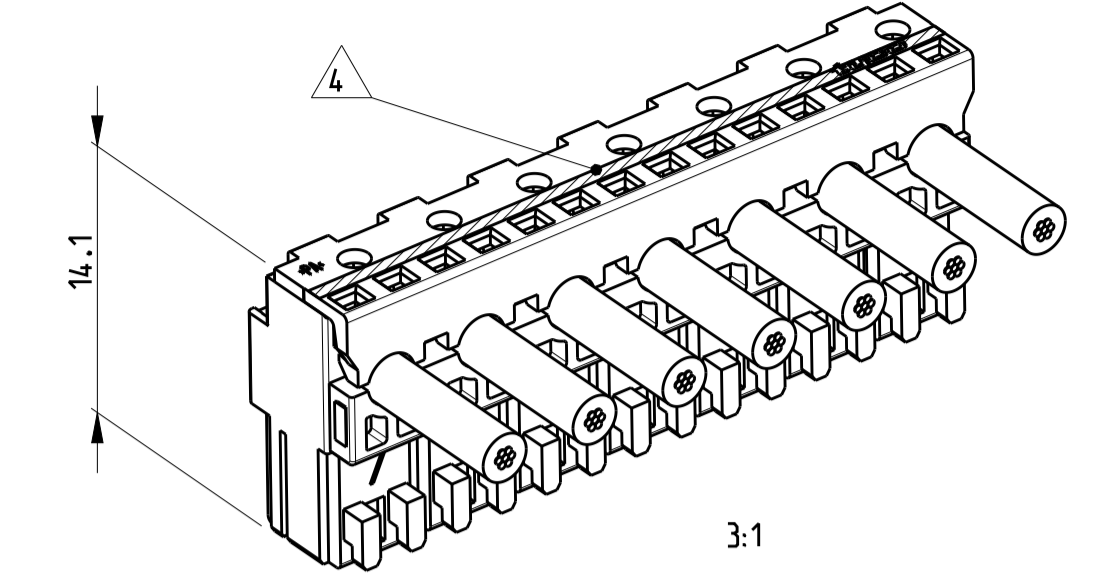


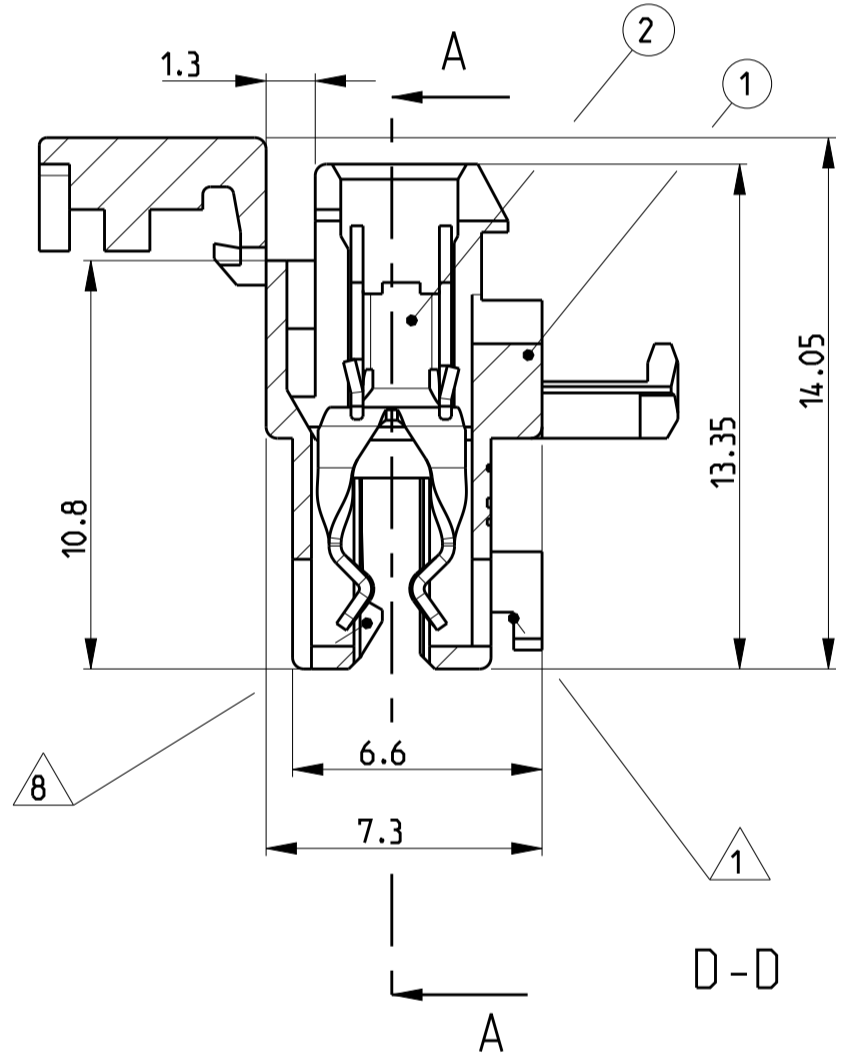
SIDE KEYING  
 Seitenkodierung A-A



LOC	DIST	REVISIONS					
A1	-	P	LTR	DESCRIPTION	DATE	DWN	APVD
		B17	ECR-17-008665		14 JUN 2017	LZ	RR
		B18	ECR-18-009261		14 JUN 2018	W W	FL
		B19	ECR-18-018568		10 DEC 2018	LZ	FL
		B20	ECR-18-018738		13 DEC 2018	KD	FL



- 27 SLOT FOR SIDE KEYING NARROW ON LAST CAVITY
- 26 PRELIMINARY PART NOT RELEASED FOR PRODUCTION
- 25 TE LOGO
- 24 COLOUR MARKING IN THIS AREA. COLOUR SEE TABLE.  
Farbmarkierung in diesem Bereich. Farbe siehe Tabelle.
- 23 X...CAVITY LOADED WITH CONTACT  
O...CAVITY WITHOUT CONTACT  
X...Kammer mit Kontakt bestückt  
O...Kammer ohne Kontakt
- 22 INCLUSIVE COPPER CLADDING, SINGLE OR DOUBLE SIDED  
Inklusive Kupferkaschierung, ein oder doppelseitig
- 21 PCB PREFERABLY CHAMFERED  
Leiterplatte vorzugsweise angefast
- 20 SLOT FOR ADDITIONAL KEYING RIB BETWEEN CAVITY NO.  
Schlitz fuer zusätzliche Kodierrippe zwischen Kammer Nr.
- 19 SLOT FOR SIDE KEYING NARROW AND REDUCED, ON CAVITY NO.1  
Schlitz fuer Seitenkodierung, eng und reduziert, bei Kammer Nr. 1
- 18 SLOT FOR SIDE KEYING, ON LAST CAVITY  
Schlitz fuer Seitenkodierung, bei letzter Kammer
- 17 SLOT FOR SIDE KEYING, ON CAVITY NO. 1  
Schlitz fuer Seitenkodierung, bei Kammer Nr. 1
- 16 IEC 60695-2-11 / IEC 60335-1 GLOW WIRE TEST 750 °C WITHOUT FLAME  
IEC 60695-2-11 / IEC 60335-1 Gluehdrahttest 750 °C ohne Flamme
- 15 -
- 14 SIDE KEYING, SMALL AND HALF, ON LAST CAVITY  
Seitenkodierung, schmal und halb, bei letzter Kammer
- 13 SIDE KEYING, SMALL AND HALF, ON CAVITY NO. 1  
Seitenkodierung, schmal und halb, bei Kammer Nr. 1
- 11 - 12 -
- 10 SIDE KEYING, SMALL, ON LAST CAVITY
- 9 -
- 8 LOCKING HOOK BETWEEN CAVITY NO. ...  
Rasthaken zwischen Kammernummer ...
- 7 ADDITIONAL KEYING RIB BETWEEN CAVITY NO.  
Zusätzliche Kodierrippe zwischen Kammer Nr.
- 6 SIDE KEYING, ON LAST CAVITY  
Seitenkodierung, bei letzter Kammer
- 5 SIDE KEYING, ON CAVITY NO. 1  
Seitenkodierung, bei Kammer Nr. 1
- 4 COLOUR MARKING ON TOP OF HOUSING OPTIONAL ON TERMINATION MACHINE  
Farbmarkierung auf Gehäuseoberseite optional an Verarbeitungsmaschine
- 3 MATING PART: PCB ACCORDING SHEET 2 OF 2  
Passender Gegenstecker: Leiterplatten siehe Blatt 2 von 2
- 2 WIRE RANGE: 0.35-0.75 mm<sup>2</sup> ACCORDING TO APPLICATION SPEC 114-18996  
Drahtgrößenbereich: 0.35 - 0.75 mm<sup>2</sup>; siehe Verarbeitungsspezifikation Nr.114-18996.
- 1 KEYING RIBS: CUTTING WITH TERMINATION MACHINE POSSIBLE  
Kodierrippe: Schneiden auf der Verarbeitungsmaschine möglich



POS.	PN Betell-Nr.	DESCRIPTION Beschreibung	MATERIAL	COLOUR/FINISH Farbe/Oberflaeche
2	SEE TABLE	CONTACT	CuNiSi	TINNED/verzinkt
1	siehe Tabelle	HOUSING	PA6 GF	NATURE/natur

THIS DRAWING IS A CONTROLLED DOCUMENT.

DIMENSIONS: mm	TOLERANCES UNLESS OTHERWISE SPECIFIED:	DWN H. Alzmann CHK B. Schnaubel	01NOV2005 01NOV2005
MATERIAL SEE TABLE	FINISH SEE TABLE	APVD T. Klenner	01NOV2005

NAME: AMP DUOPLUG POWER FEMALE CONNECTOR 2-9 POSITION (WITH PCB LOCKING)

SIZE: 108-18780 APPLICATION SPEC 114-18996

WEIGHT: -

CUSTOMER DRAWING

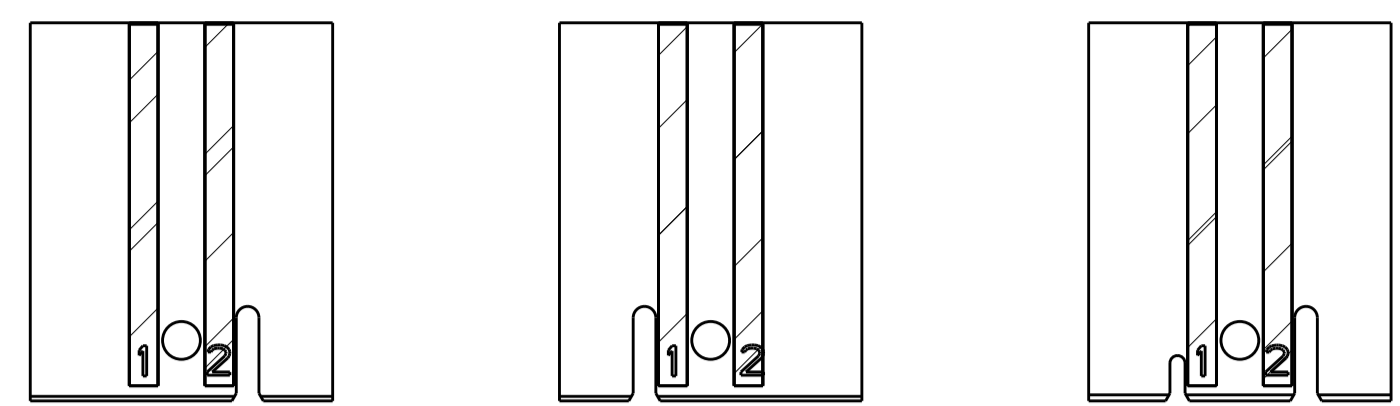
SCALE: 5:1 SHEET 1 OF 4

REVISION: B20

**PCB LAYOUT**  
**Leiterplattenanschluss**

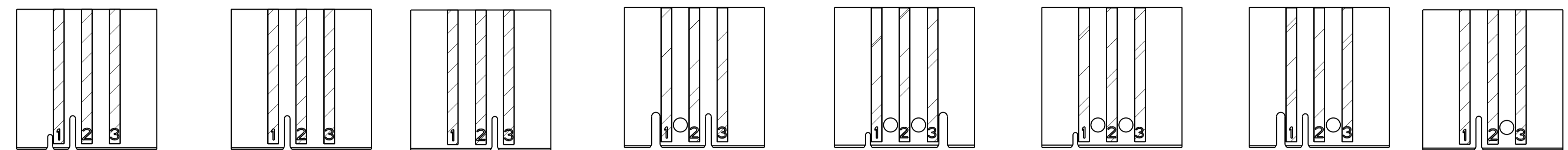
LOC		DIST		REVISIONS			
A	1	P	LTR	DESCRIPTION	DATE	DWN	APVD
		-		SEE SHEET 1	-	-	-

2 POSITION  
2 polig



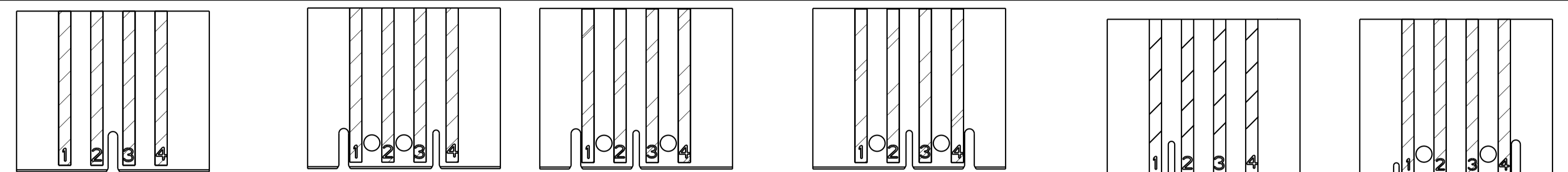
LAYOUT FOR CONNECTOR NO. 0-1740533-2      LAYOUT FOR CONNECTOR NO. 1-1740533-2      LAYOUT FOR CONNECTOR NO. 2-1740533-2

3 POSITION  
3 polig



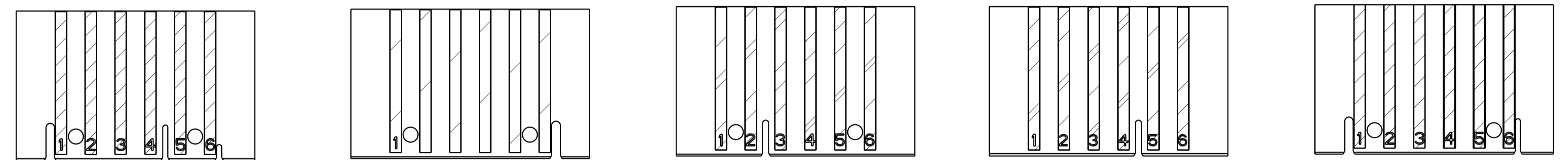
LAYOUT FOR CONNECTOR NO. 9-1740533-3      LAYOUT FOR CONNECTOR NO. 7-1740533-3      LAYOUT FOR CONNECTOR NO. 6-1740533-3      LAYOUT FOR CONNECTOR NO. 0-1740533-3      LAYOUT FOR CONNECTOR NO. 1-1740533-3      LAYOUT FOR CONNECTOR NO. 8-1740533-3      LAYOUT FOR CONNECTOR NO. 2-1740533-3      LAYOUT FOR CONNECTOR NO. 3-1740533-3 (WITHOUT PAD 3)      LAYOUT FOR CONNECTOR NO. 4-1740533-3 (WITHOUT PAD 1)      LAYOUT FOR CONNECTOR NO. 5-1740533-3  $\Delta_{26}$

4 POSITION  
4 polig



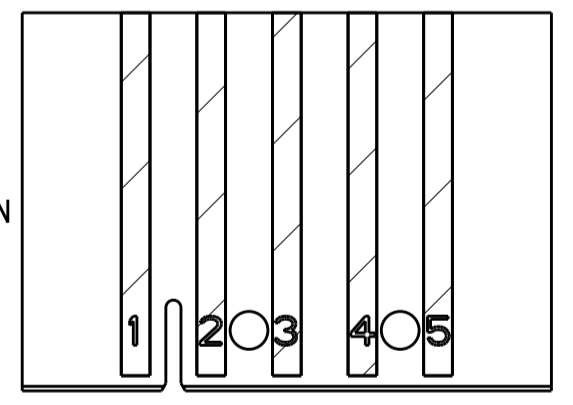
LAYOUT FOR CONNECTOR NO. 5-1740533-4  $\Delta_{26}$       LAYOUT FOR CONNECTOR NO. 3-1740533-4      LAYOUT FOR CONNECTOR NO. 0-1740533-4 (WITHOUT PAD 2)      LAYOUT FOR CONNECTOR NO. 2-1740533-4      LAYOUT FOR CONNECTOR NO. 1-1740533-4      LAYOUT FOR CONNECTOR NO. 4-1740533-4      LAYOUT FOR CONNECTOR NO. 6-1740533-4

6 POSITION  
6 polig



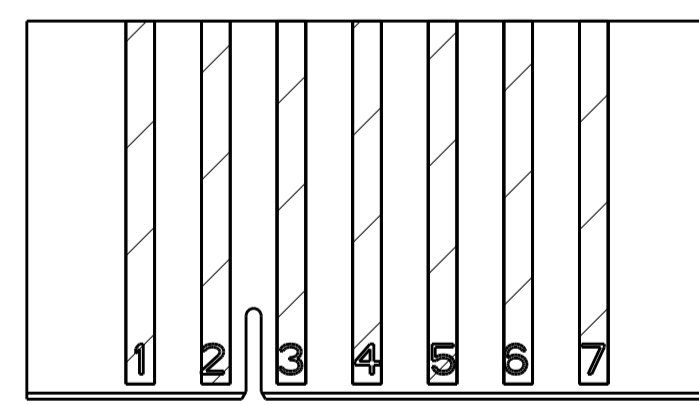
LAYOUT FOR CONNECTOR NO.  $\Delta_{26}$  7-1740533-6      LAYOUT FOR CONNECTOR NO.  $\Delta_{26}$  5-1740533-6      LAYOUT FOR CONNECTOR NO. 0-1740533-6 (WITHOUT PAD 2/5/6)      LAYOUT FOR CONNECTOR NO. 2-1740533-6      LAYOUT FOR CONNECTOR NO. 1-1740533-6      LAYOUT FOR CONNECTOR NO. 3-1740533-6 (WITHOUT PAD 2)      LAYOUT FOR CONNECTOR NO. 4-1740533-6      LAYOUT FOR CONNECTOR NO.  $\Delta_{26}$  4-1740533-6

5 POSITION  
5 polig

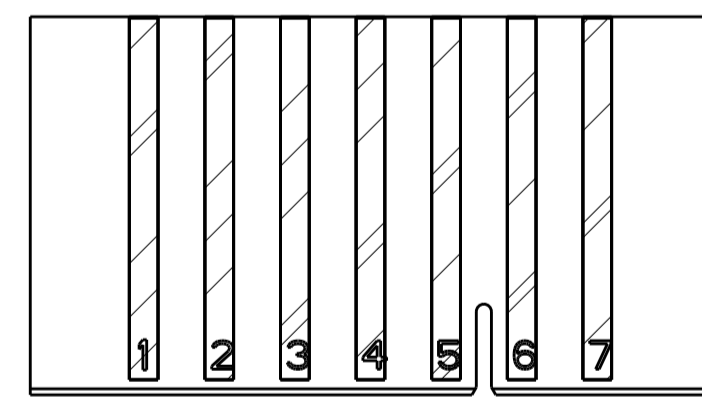


LAYOUT FOR CONNECTOR NO. 0-1740533-5

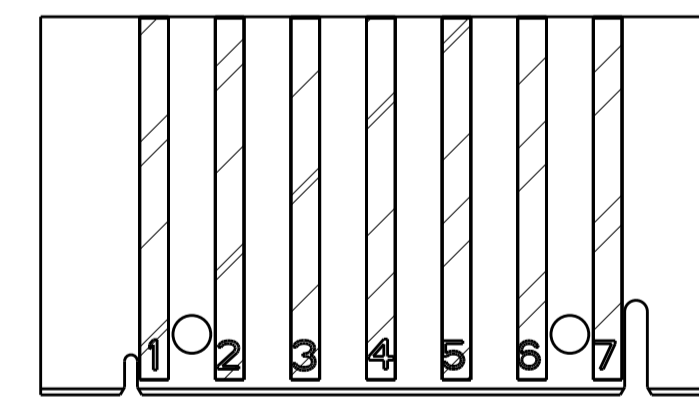
7 POSITION  
7 polig



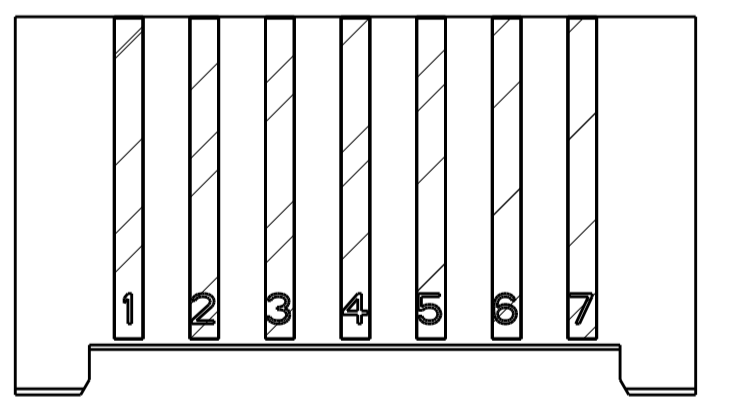
LAYOUT FOR CONNECTOR NO. 4-1740533-7  $\Delta_{26}$



LAYOUT FOR CONNECTOR NO. 0-1740533-7

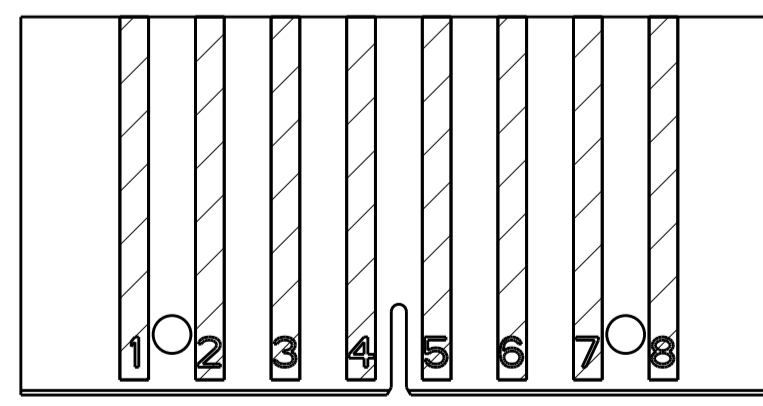


LAYOUT FOR CONNECTOR NO. 1-1740533-7

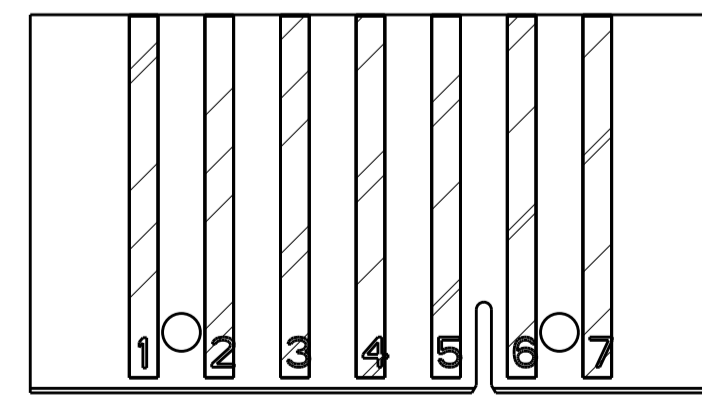


LAYOUT FOR CONNECTOR NO. 2-1740533-7

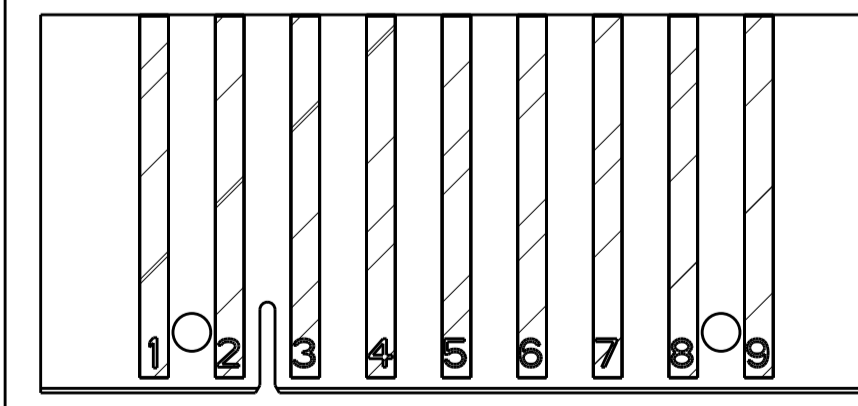
8 POSITION



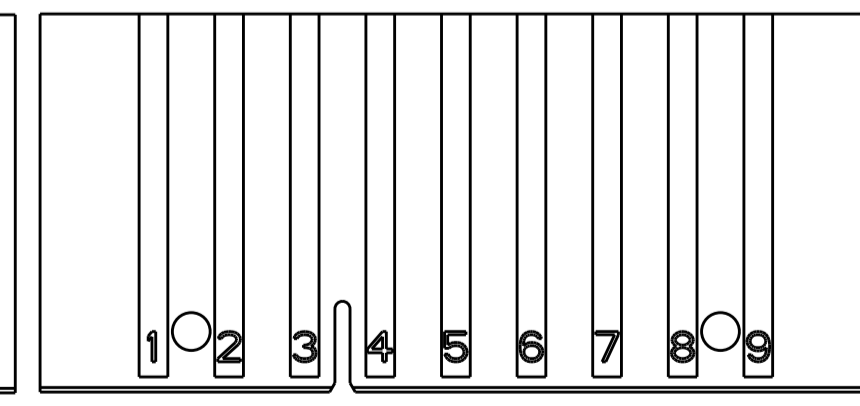
LAYOUT FOR CONNECTOR NO. 0-1740533-8



LAYOUT FOR CONNECTOR NO. 3-1740533-7



LAYOUT FOR CONNECTOR NO. 0-1740533-9      LAYOUT FOR CONNECTOR NO. 1-1740533-9 (WITHOUT PAD 9)



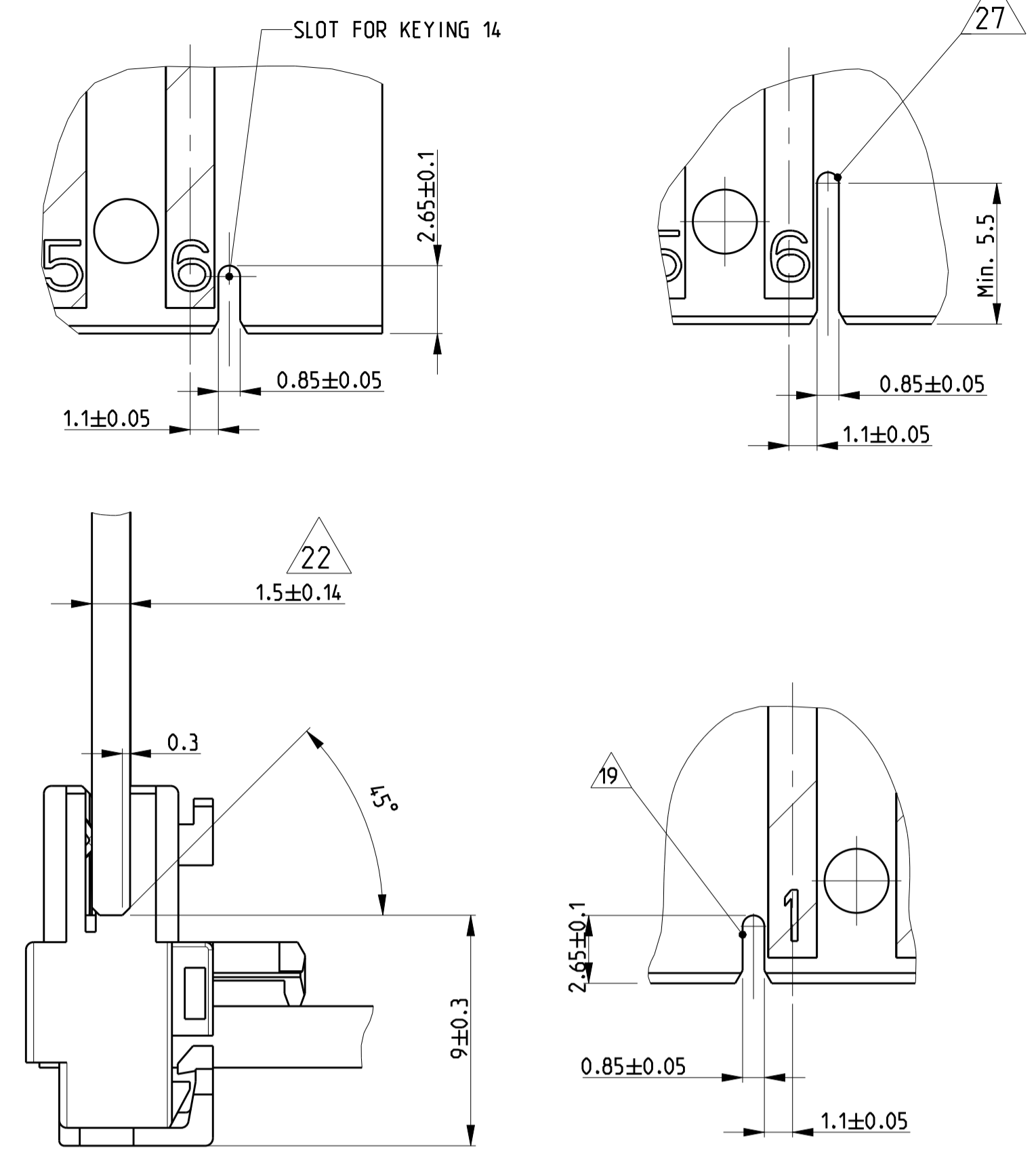
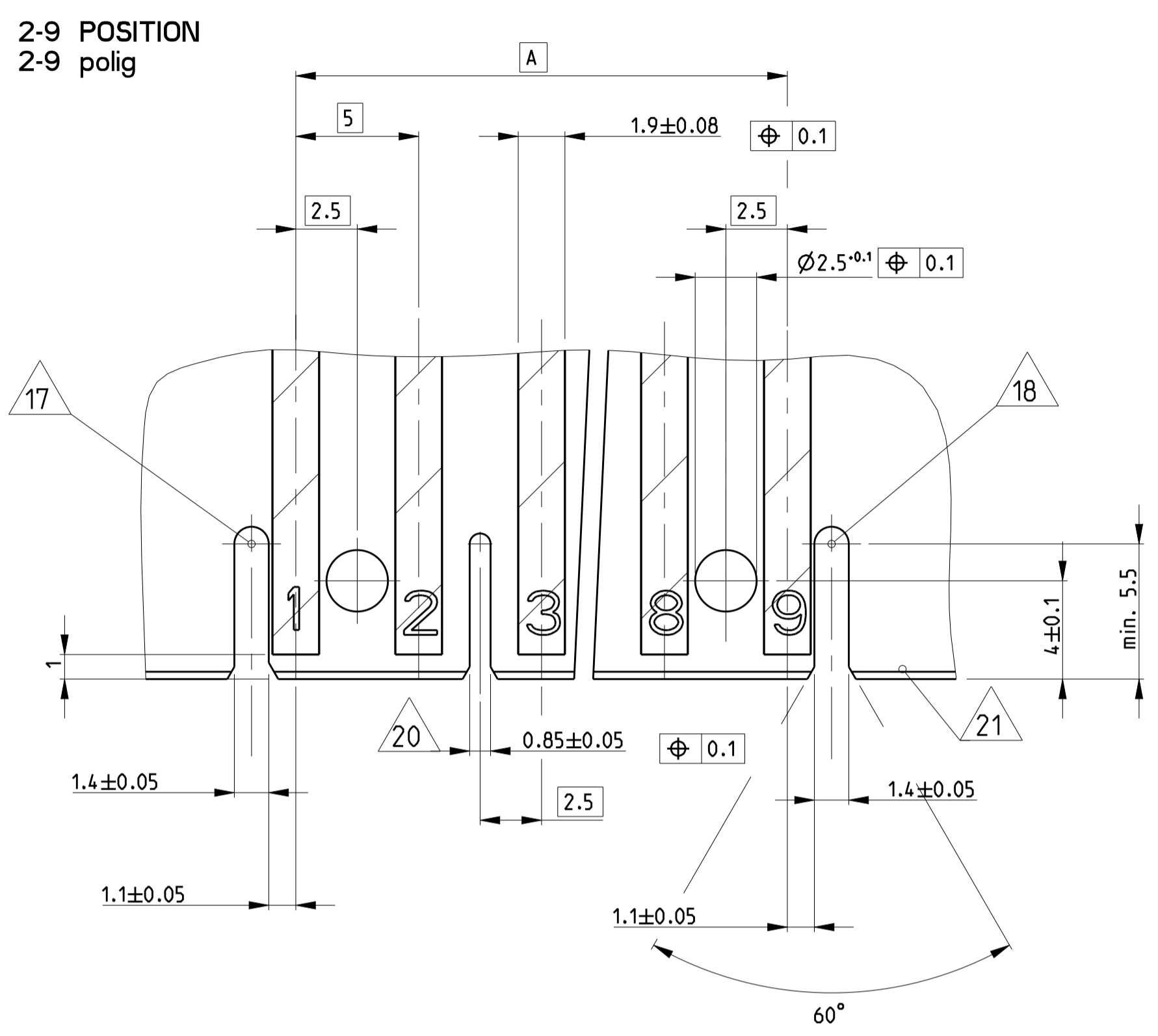
LAYOUT FOR CONNECTOR NO. 2-1740533-9      9 POSITION 9 polig

THIS DRAWING IS A CONTROLLED DOCUMENT. DIMENSIONS: mm. TOLERANCES UNLESS OTHERWISE SPECIFIED: 0 PLC  $\pm 0.2$ , 1 PLC  $\pm 0.2$ , 2 PLC  $\pm 0.2$ , 3 PLC  $\pm 0.2$ , 4 PLC  $\pm$ , ANGLES  $\pm 30^\circ$ . MATERIAL: SEE TABLE. FINISH: SEE TABLE.

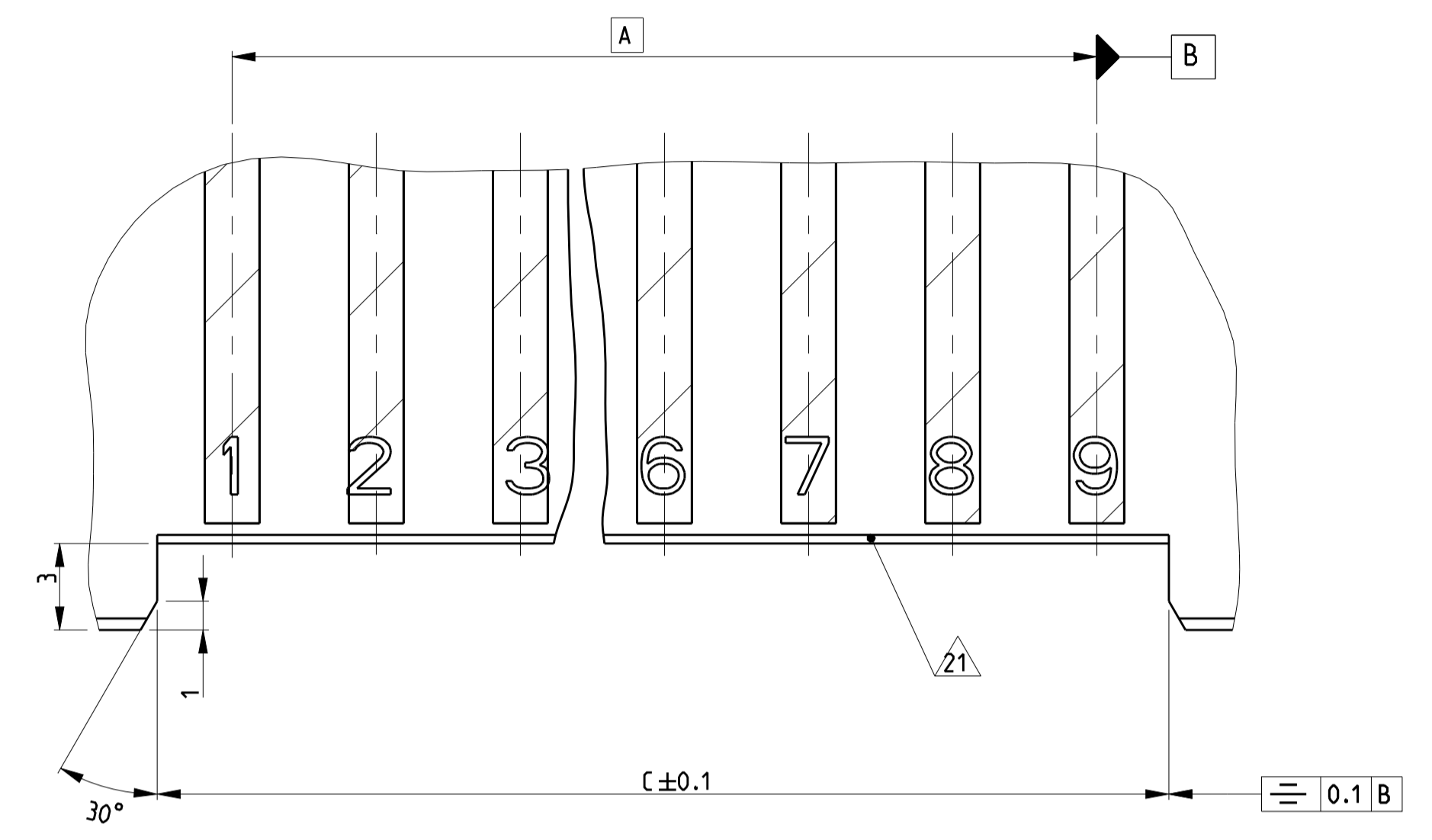
DWN: H. Altmann	01NOV2005	TE Connectivity NAME: AMP DUOPLUG POWER FEMALE CONNECTOR 2-9 POSITION (WITH PCB LOCKING) SIZE: 108-18780 APPLICATION SPEC: 116-18996 WEIGHT: - CUSTOMER DRAWING: SCALE 5:1 SHEET 2 OF 4
CHK: B. Schnaubel	01NOV2005	
APVD: T. Klenner	01NOV2005	
PRODUCT SPEC: 108-18780		

RESTRICTED TO: A 1 00779 C-1740533

PCB LAYOUT IN GENERAL  
 Leiterplattenanschluss allgemein



PCB LAYOUT FOR VERSIONS WITHOUT KEYING RIBS/  
 LOCKING HOOKS (E. G. PN 2-1740533-7)  
 Leiterplattenanschluss fuer Version ohne Kodierrippen/  
 Rasthaken (z. B. Nr. 2-1740533-7)



LOC	DIST	REVISIONS					
A1	-	P	LTR	DESCRIPTION	DATE	DWN	APVD
		-		SEE SHEET 1	-	-	-

THIS DRAWING IS A CONTROLLED DOCUMENT.

DIMENSIONS: mm	TOLERANCES UNLESS OTHERWISE SPECIFIED: 0 PLC ±0.2 1 PLC ±0.2 2 PLC ±0.2 3 PLC ±0.2 4 PLC ±0.2 ANGLES ±°	DWN SUDHAKAR 28OCT2013 CHK SUDHAKAR 28OCT2013 APVD RAJENDRA 28OCT2013	NAME AMP DUOPLUG POWER FEMALE CONNECTOR 2-9 POSITION (WITH PCB LOCKING)
MATERIAL SEE TABLE	FINISH SEE TABLE	PRODUCT SPEC 108-18750 APPLICATION SPEC 116-18996	SIZE CAGE CODE DRAWING NO A1 00779 C=1740533
CUSTOMER DRAWING		RESTRICTED TO	SCALE 5:1 SHEET 3 OF 4 REV B20

4805 (3/11)

