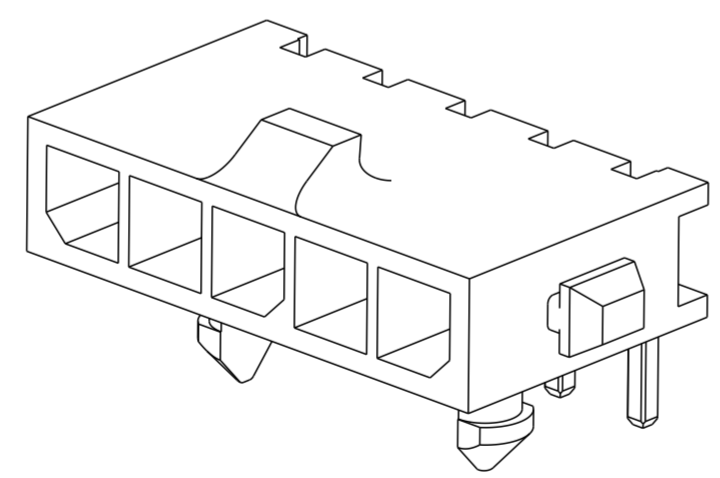
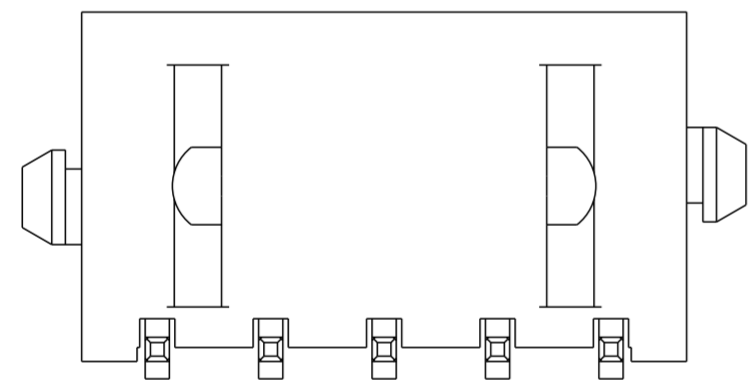
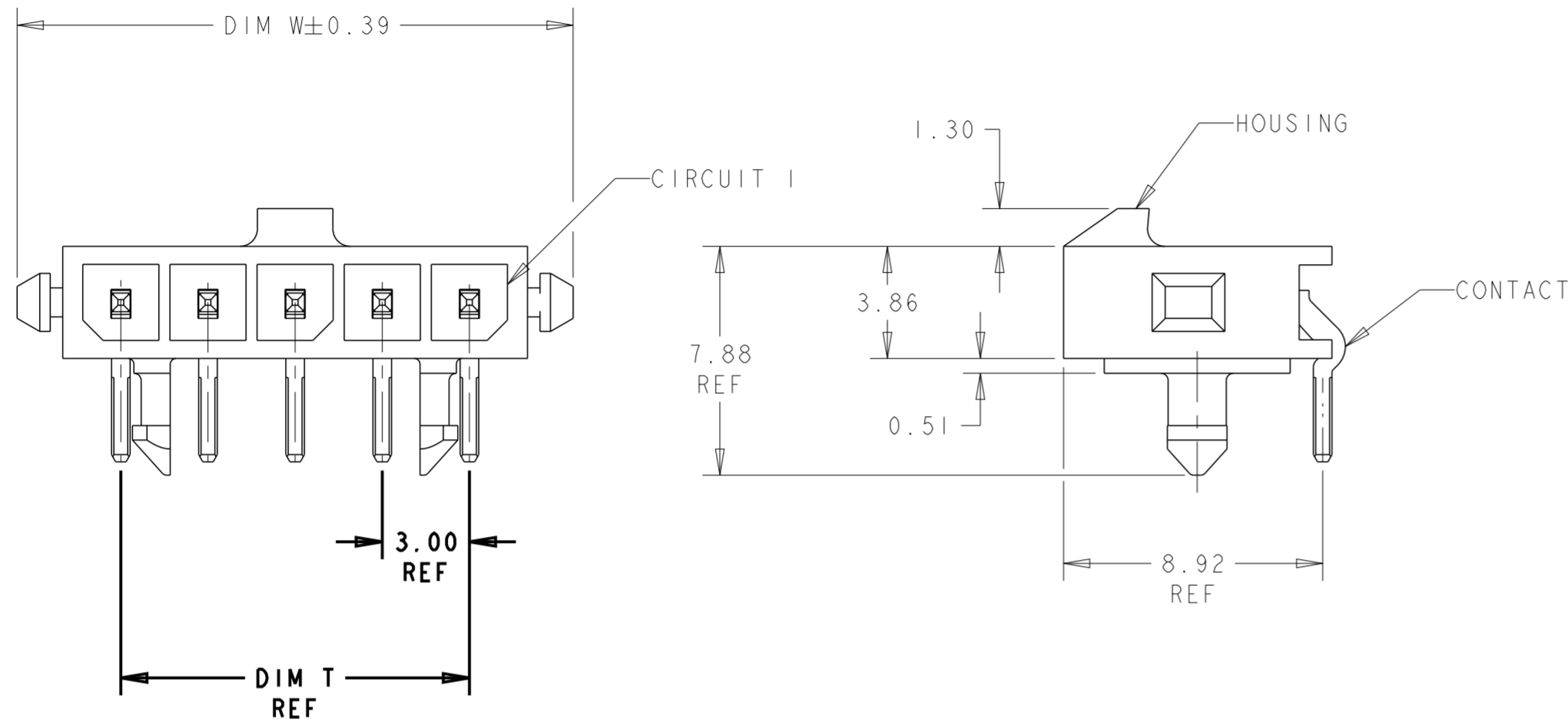


THIS DRAWING IS UNPUBLISHED. RELEASED FOR PUBLICATION 20  
 © COPYRIGHT 20 BY - ALL RIGHTS RESERVED.

| REVISIONS |     |                           |           |     |      |
|-----------|-----|---------------------------|-----------|-----|------|
| P         | LTR | DESCRIPTION               | DATE      | DWN | APVD |
|           | B1  | REVISED PER ECR-16-011494 | 20JUN2017 | NK  | CX   |
|           |     |                           |           |     |      |
|           |     |                           |           |     |      |



- 1 MATERIAL: CONTACTS - BRASS  
HOUSING - UL 94V-0 RATED HIGH TEMP NYLON, COLOR BLACK.
- 2 PLATING: CONTACTS - 2.54µm MINIMUM TIN-LEAD OVER 1.27µm MINIMUM NICKEL.
- 4 RECOMMENDED PC BOARD THICKNESS OF 1.57.
- 5 PLATING: CONTACTS - 2.54µm MINIMUM MATTE TIN OVER 1.27µm MINIMUM NICKEL.

|                           |       |       |       |       |             |             |             |
|---------------------------|-------|-------|-------|-------|-------------|-------------|-------------|
| 5                         | 33.00 | 28.70 | 33.00 | 40.14 | 12          | 3-1445055-2 |             |
| 5                         | 30.00 | 25.70 | 30.00 | 37.14 | 11          | 3-1445055-1 |             |
| 5                         | 27.00 | 22.70 | 27.00 | 34.14 | 10          | 3-1445055-0 |             |
| 5                         | 24.00 | 19.70 | 24.00 | 31.14 | 9           | 2-1445055-9 |             |
| 5                         | 21.00 | 16.70 | 21.00 | 28.14 | 8           | 2-1445055-8 |             |
| 5                         | 18.00 | 13.70 | 18.00 | 25.14 | 7           | 2-1445055-7 |             |
| 5                         | 15.00 | 10.70 | 15.00 | 22.14 | 6           | 2-1445055-6 |             |
| 5                         | 12.00 | 7.70  | 12.00 | 19.14 | 5           | 2-1445055-5 |             |
| 5                         | 9.00  | 4.70  | 9.00  | 16.14 | 4           | 2-1445055-4 |             |
| 5                         | -     | -     | 6.00  | 13.14 | 3           | 2-1445055-3 |             |
| 5                         | -     | -     | 3.00  | 10.14 | 2           | 2-1445055-2 |             |
| SUPERSEDED BY 3-1445055-2 | 2     | 33.00 | 28.70 | 33.00 | 40.14       | 12          | +1445055-2- |
| SUPERSEDED BY 3-1445055-1 | 2     | 30.00 | 25.70 | 30.00 | 37.14       | 11          | +1445055-1- |
| SUPERSEDED BY 3-1445055-0 | 2     | 27.00 | 22.70 | 27.00 | 34.14       | 10          | +1445055-0- |
| SUPERSEDED BY 2-1445055-9 | 2     | 24.00 | 19.70 | 24.00 | 31.14       | 9           | +445055-9-  |
| SUPERSEDED BY 2-1445055-8 | 2     | 21.00 | 16.70 | 21.00 | 28.14       | 8           | +445055-8-  |
| SUPERSEDED BY 2-1445055-7 | 2     | 18.00 | 13.70 | 18.00 | 25.14       | 7           | +445055-7-  |
| SUPERSEDED BY 2-1445055-6 | 2     | 15.00 | 10.70 | 15.00 | 22.14       | 6           | +445055-6-  |
| SUPERSEDED BY 2-1445055-5 | 2     | 12.00 | 7.70  | 12.00 | 19.14       | 5           | +445055-5-  |
| SUPERSEDED BY 2-1445055-4 | 2     | 9.00  | 4.70  | 9.00  | 16.14       | 4           | +445055-4-  |
| SUPERSEDED BY 2-1445055-3 | 2     | -     | -     | 6.00  | 13.14       | 3           | +445055-3-  |
| SUPERSEDED BY 2-1445055-2 | 2     | -     | -     | 3.00  | 10.14       | 2           | +445055-2-  |
| FINISH                    | DIM Z | DIM V | DIM T | DIM W | NO. OF POSN | PART NUMBER |             |

THIS DRAWING IS A CONTROLLED DOCUMENT. DWN J.ROOT 06OCT2000  
 CHK K.WHITAKER 13-MAR-2001  
 APVD K.WHITAKER 13-MAR-2001

**STE** TE Connectivity

RIGHT ANGLE THRU HOLEHEADER ASSY, TIN CONTACTS W/PLASTIC HOLDDOWNS, SINGLE ROW, MICRO MATE-N-LOK™

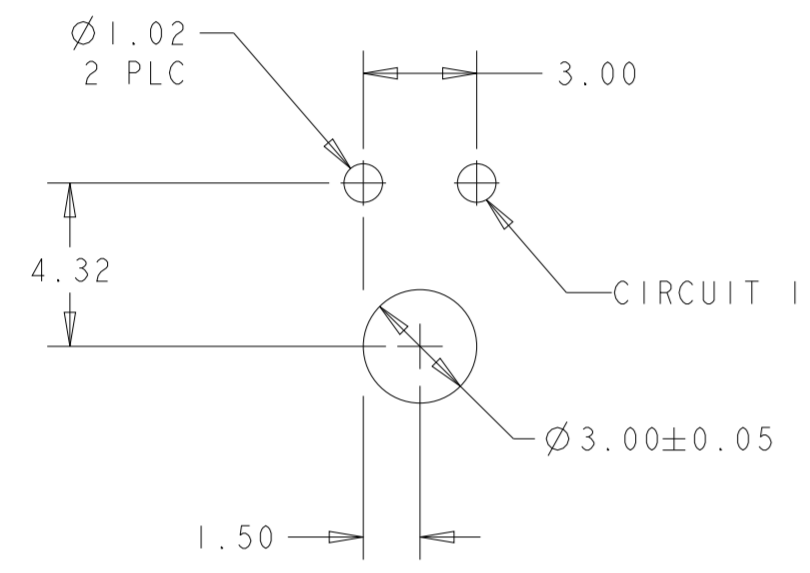
SIZE A2 CAGE CODE 00779 DRAWING NO. C-1445055 RESTRICTED TO

MATERIAL 1 SEE TABLE WEIGHT - SCALE 5:1 SHEET 1 OF 2 REV B1

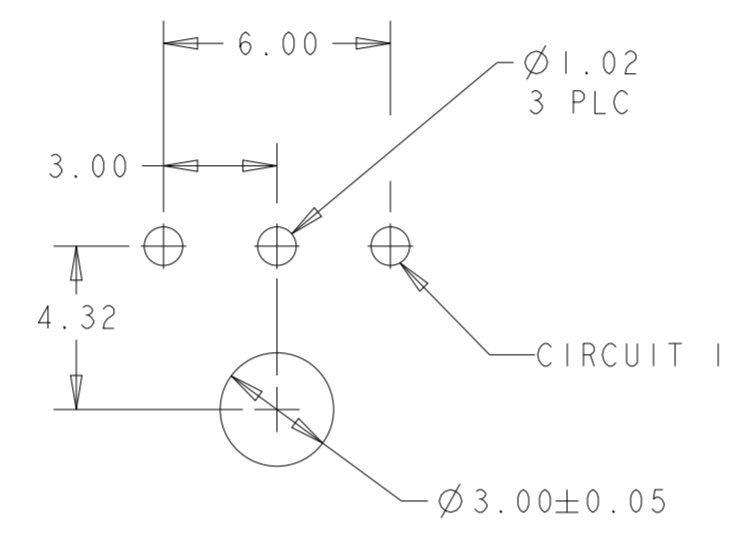
CUSTOMER DRAWING

THIS DRAWING IS UNPUBLISHED. RELEASED FOR PUBLICATION 20  
 © COPYRIGHT 20 BY - ALL RIGHTS RESERVED.

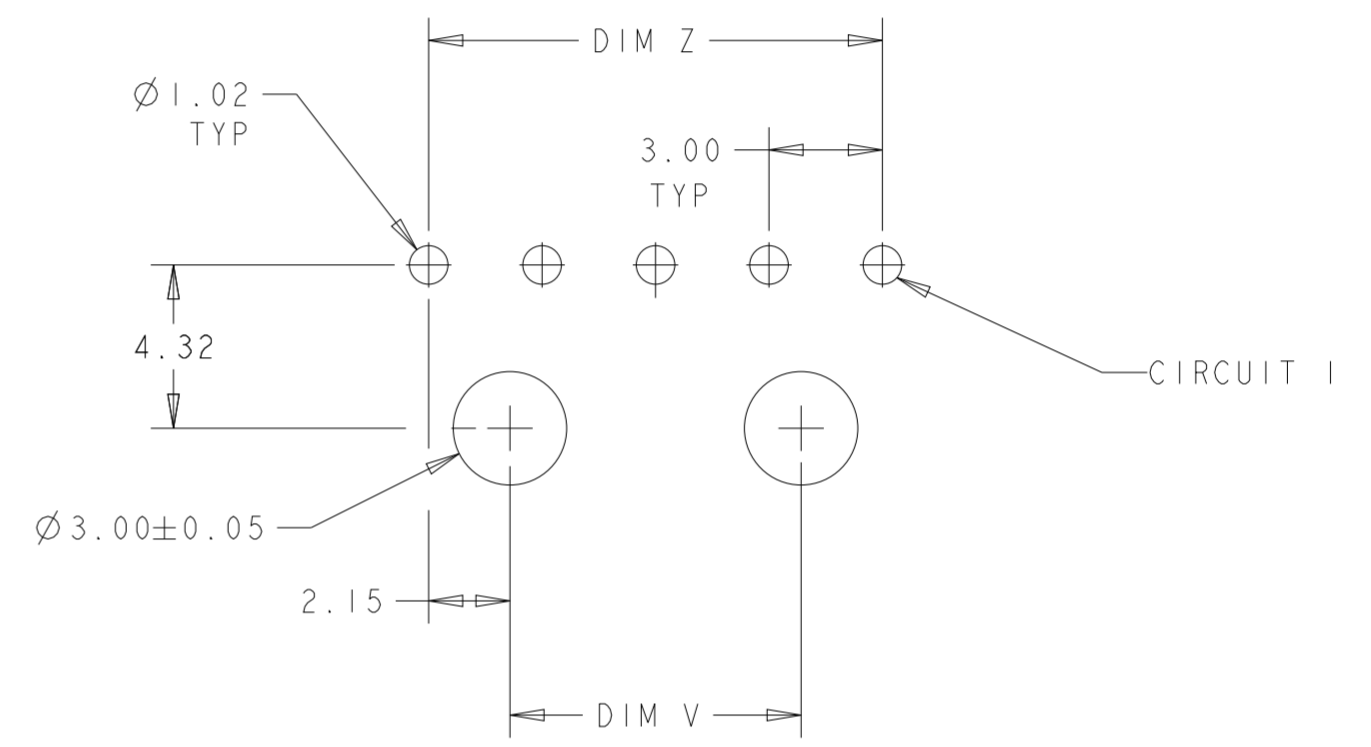
| REVISIONS |     |             |      |      |
|-----------|-----|-------------|------|------|
| P         | LTR | DESCRIPTION | DATE | APVD |
| -         | -   | SEE SHEET 1 | -    | -    |
|           |     |             |      |      |
|           |     |             |      |      |



PCB LAYOUT FOR 2 POSITION  $\triangle$   
 COMPONENT SIDE



PCB LAYOUT FOR 3 POSITION  $\triangle$   
 COMPONENT SIDE



PCB LAYOUT FOR 4-12 POSITION  $\triangle$   
 COMPONENT SIDE

|   |       |                                    |   |                    |   |       |       |       |   |       |   |        |   |        |   |                   |            |                    |
|---|-------|------------------------------------|---|--------------------|---|-------|-------|-------|---|-------|---|--------|---|--------|---|-------------------|------------|--------------------|
| THIS DRAWING IS A CONTROLLED DOCUMENT.  |       | DWN<br>J. ROOT<br>06OCT2000        | TE Connectivity   |                    |   |       |       |       |   |       |   |        |   |        |   |                   |            |                    |
| DIMENSIONS:<br>mm   |       | CHK<br>K. WHITAKER<br>13-MAR-2001  |   |                    |   |       |       |       |   |       |   |        |   |        |   |                   |            |                    |
| TOLERANCES UNLESS OTHERWISE SPECIFIED:  |       | APVD<br>K. WHITAKER<br>13-MAR-2001 | NAME<br>RIGHT ANGLE THRU HOLEHEADER ASSY,<br>TIN CONTACTS W/PLASTIC HOLDDOWNS,<br>SINGLE ROW, MICRO MATE-N-LOK™ |                    |   |       |       |       |   |       |   |        |   |        |   |                   |            |                    |
| <table border="1"> <tr><td>0 PLC</td><td>±</td></tr> <tr><td>1 PLC</td><td>±</td></tr> <tr><td>2 PLC</td><td>±0.13</td></tr> <tr><td>3 PLC</td><td>±</td></tr> <tr><td>4 PLC</td><td>±</td></tr> <tr><td>ANGLES</td><td>±</td></tr> <tr><td>FINISH</td><td>±</td></tr> </table> |       | 0 PLC                              | ±   | 1 PLC              | ± | 2 PLC | ±0.13 | 3 PLC | ± | 4 PLC | ± | ANGLES | ± | FINISH | ± | PRODUCT SPEC<br>- | SIZE<br>A2 | CAGE CODE<br>00779 |
| 0 PLC   | ±     |                                    |   |                    |   |       |       |       |   |       |   |        |   |        |   |                   |            |                    |
| 1 PLC   | ±     |                                    |   |                    |   |       |       |       |   |       |   |        |   |        |   |                   |            |                    |
| 2 PLC   | ±0.13 |                                    |   |                    |   |       |       |       |   |       |   |        |   |        |   |                   |            |                    |
| 3 PLC   | ±     |                                    |   |                    |   |       |       |       |   |       |   |        |   |        |   |                   |            |                    |
| 4 PLC   | ±     |                                    |   |                    |   |       |       |       |   |       |   |        |   |        |   |                   |            |                    |
| ANGLES  | ±     |                                    |   |                    |   |       |       |       |   |       |   |        |   |        |   |                   |            |                    |
| FINISH  | ±     |                                    |   |                    |   |       |       |       |   |       |   |        |   |        |   |                   |            |                    |
| MATERIAL<br>$\triangle$   |       | APPLICATION SPEC<br>-              | DRAWING NO<br>C-1445055   | RESTRICTED TO<br>- |   |       |       |       |   |       |   |        |   |        |   |                   |            |                    |
| SEE TABLE   |       | WEIGHT<br>-                        | SCALE 5:1 SHEET 2 OF 2 REV B1   |                    |   |       |       |       |   |       |   |        |   |        |   |                   |            |                    |
| CUSTOMER DRAWING  |       |                                    |   |                    |   |       |       |       |   |       |   |        |   |        |   |                   |            |                    |

# Mouser Electronics

Authorized Distributor

Click to View Pricing, Inventory, Delivery & Lifecycle Information:

[TE Connectivity:](#)

[2-1445055-9](#)