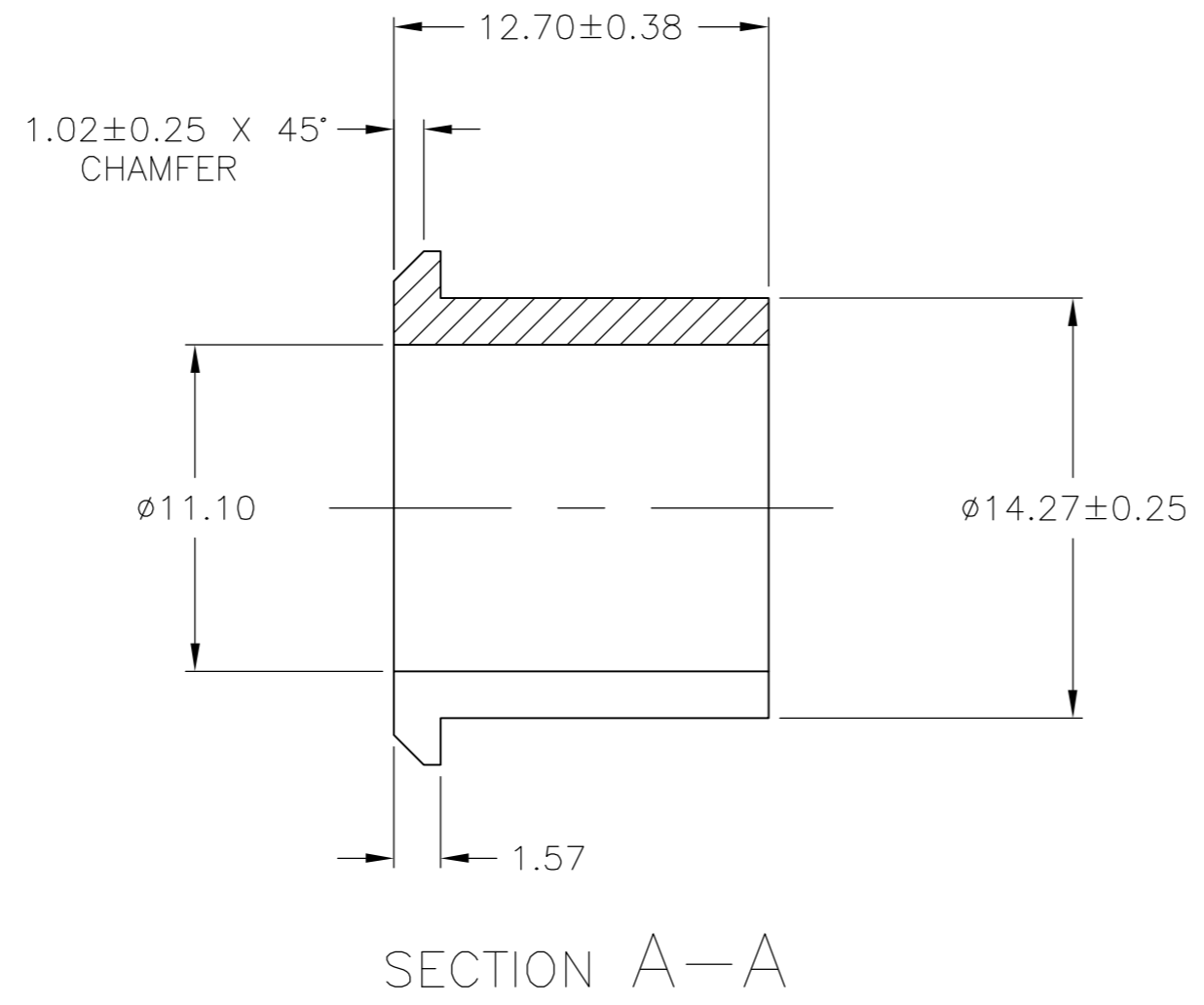
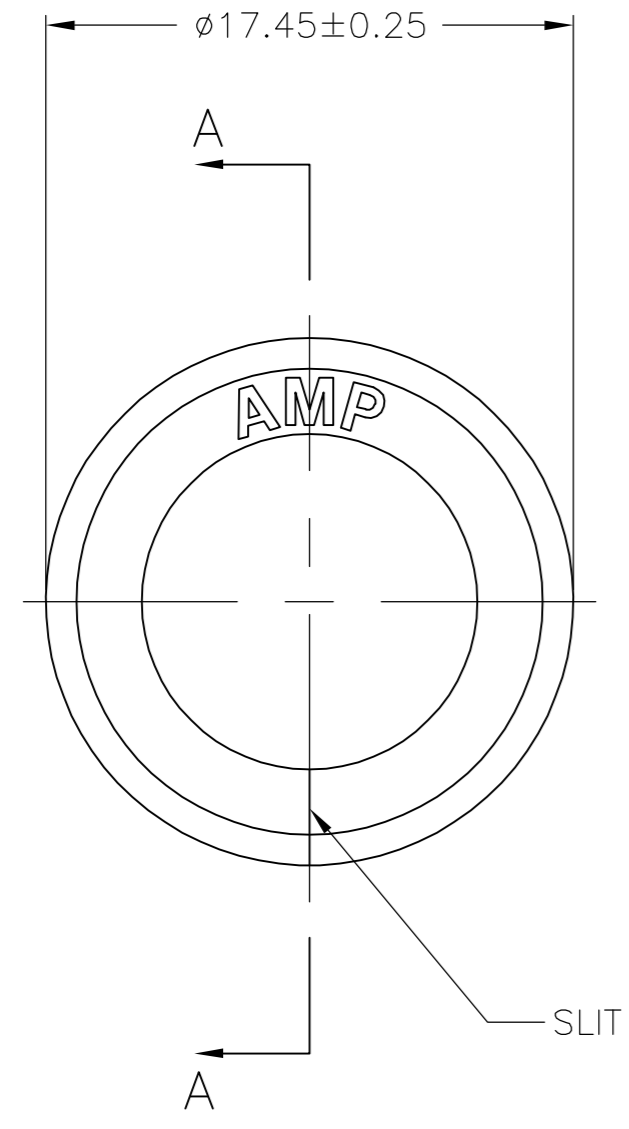
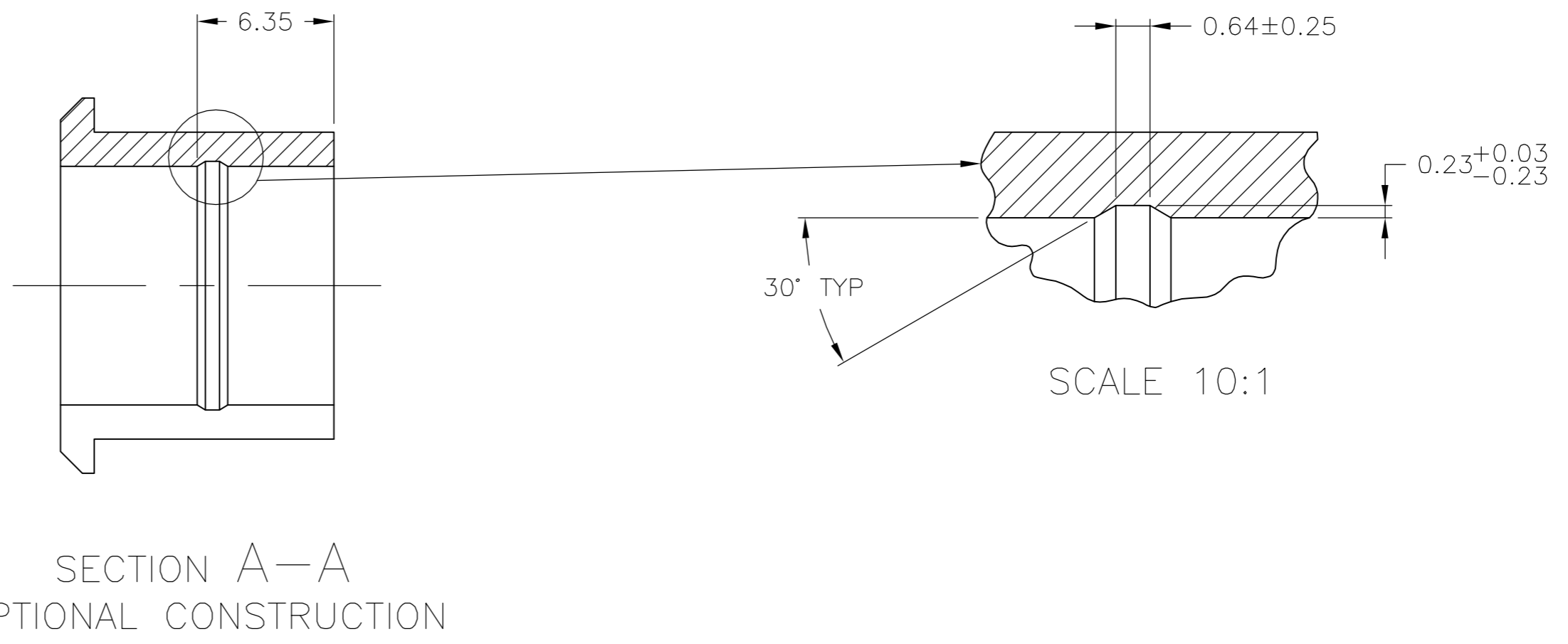
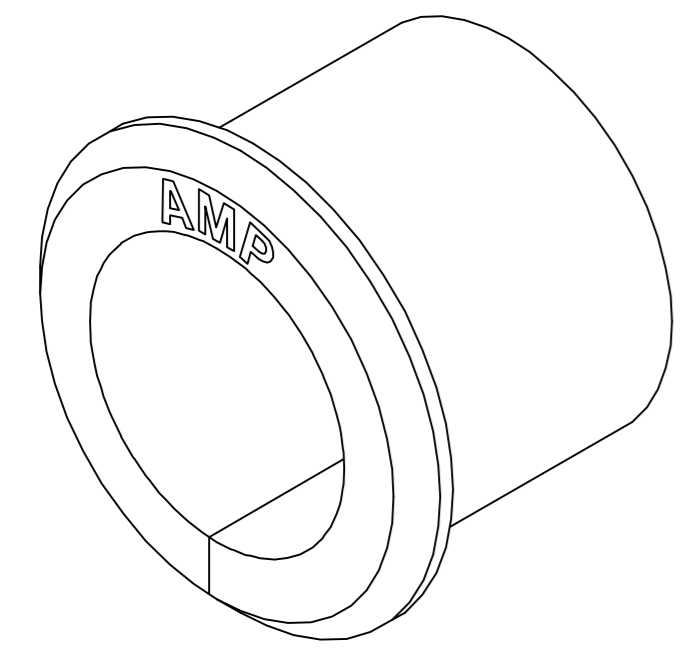


THIS DRAWING IS UNPUBLISHED. RELEASED FOR PUBLICATION
 © COPYRIGHT BY TYCO ELECTRONICS CORPORATION. ALL RIGHTS RESERVED.

LOC		DIST		REVISIONS			
P	LTR	DESCRIPTION		DATE	DWN	APVD	
	G	ECO-06-012706		09JUN06	BSV	JR	



1. USE WITH STRAIN RELIEF 480594.
2. MOLDING COMPOUND PVC, FLEXIBLE, 55/75 DUROMETER (B SCALE), BLACK.
3. MOLDING COMPOUND PVC, FLEXIBLE, BLACK.



3-DIMENSIONAL MODEL NTS

SECTION A-A
OPTIONAL CONSTRUCTION

SUPERCEDED BY 2-380935-0	3	2-380935-0
	2	1-380935-0
	MATERIAL	PART NUMBER

MM	IN	MM	IN	MM	IN
0.38	.015	11.10	.437	-	-
0.25	.010	6.35	.250	-	-
0.23	.009	1.57	.062	17.45	.687
0.13	.005	1.02	.040	14.27	.562
0.03	.001	0.64	.025	12.70	.500

CONVERSION TABLE

METRIC

THIS DRAWING IS A CONTROLLED DOCUMENT.		DWN K. WHITAKER 24MAR06	tyco Electronics		Tyco Electronics Corporation Harrisburg, Pa 17105-3608	
DIMENSIONS: mm		CHK C. JONES 24MAR06	NAME C. JONES			
TOLERANCES UNLESS OTHERWISE SPECIFIED:		APVD C. JONES 24MAR06	PRODUCT SPEC			
0 PLC ± -		APPLICATION SPEC				
1 PLC ± -		WEIGHT				
2 PLC ± -		SIZE A2				
3 PLC ± 0.13		CAGE CODE 00779				
4 PLC ± -		DRAWING NO C=380935				
ANGLES ± 1'0"		RESTRICTED TO				
FINISH		CUSTOMER DRAWING				
SEE TABLE		SCALE 4:1				
		SHEET 1 OF 1				
		REV G				

380935

Mouser Electronics

Authorized Distributor

Click to View Pricing, Inventory, Delivery & Lifecycle Information:

[TE Connectivity:](#)

[2-380935-0](#)