

87180-X6XHTRLF OPTION ONLY
(87180-X62HTRLF/X64HTRLF/X66HTRLF)

FIGURE 4- 6 POS TYPE.

mat'l. code		surface		tolerance		projection		product family	
		ISO 1302		ISO 406		ISO 1101		HPL 580	
ltr		ecn no		dr		date		title	
AA		N06-0043		DT		02/20/06		MOD JACK, FOR 1.6MM P.C.B.	
AB		N08-0097		SH		08/13/08			
AC		N08-0170		SH		09/25/08			
AD		ELX-N-010675H		MAC		3/14/12		dr Laurence.Zang 12/22/17	
AE		ELX-N-31068		LZ		12/22/17		eng Laurence.Zang 12/22/17	
								chr Tim.Yao 12/22/17	
								appd Tim.Yao 12/22/17	
sheet index		revision sheet						dwg no sheet 1 of 3 size	
								87180 A3	
								type Product Customer Drawing	

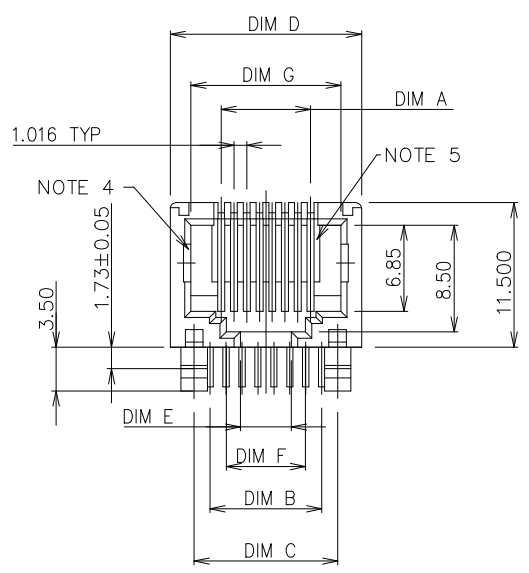
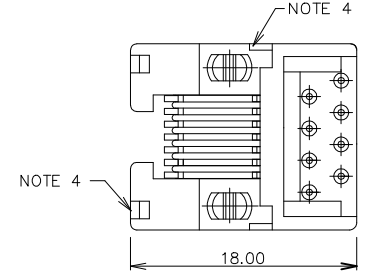
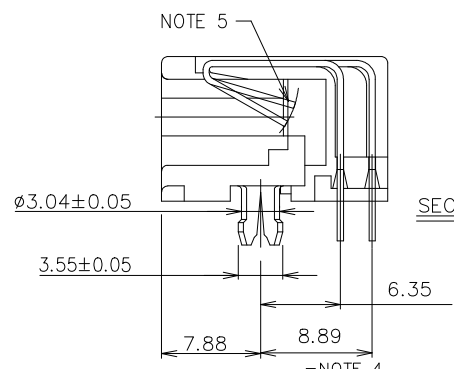
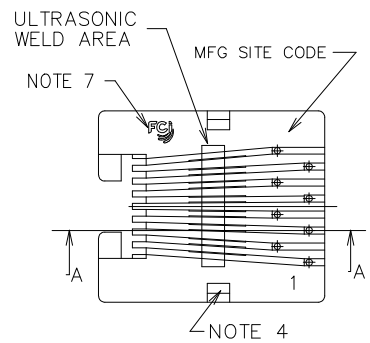
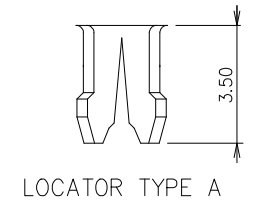


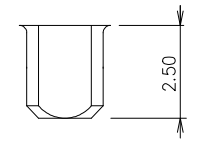
FIGURE 2- 8 POS TYPE.



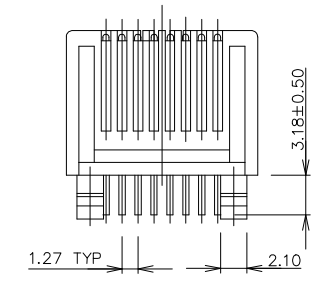
LOCATOR TYPE & DESCRIPTION
 APPLY TO 4 & 6 & 8 POS



LOCATOR TYPE A



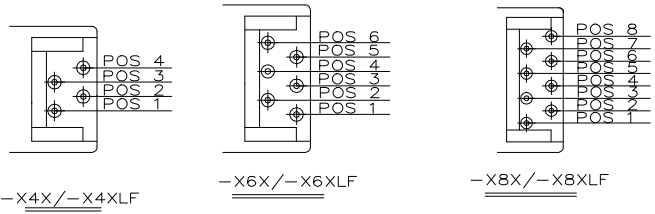
LOCATOR TYPE B
 ONLY APPLY TO 87180-X6XHTRLF



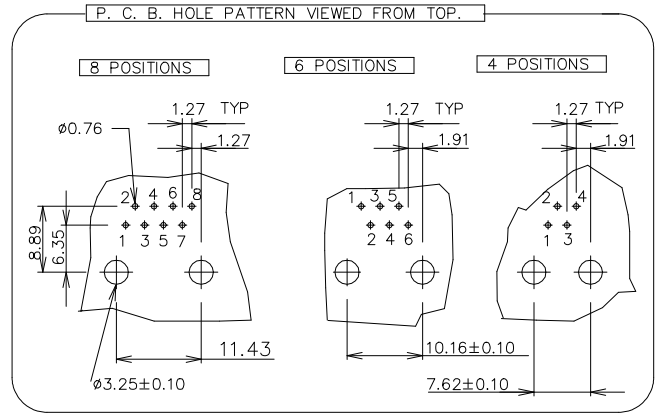
mat'l. code		surface		tolerance		projection		product family	
		ISO 1302		ISO 406		ISO 1101		HPL 580	
ltr		ecn		no		dr		date	
AE									
				tolerances unless otherwise specified		mm		title	
				0.0±0.30		mm		MOD JACK, FOR 1.6MM P.C.B.	
				0.00±0.15		mm		dwg no	
				0.000±0.05		scale 1:1		sheet 2 of 3	
		dr		Laurence.Zang		12/22/17		size	
		eng		Laurence.Zang		12/22/17		A3	
		chr		Tim.Yao		12/22/17		87180	
		app'd		Tim.Yao		12/22/17		type Product Customer Drawing	
sheet index		revision sheet							

PRODUCT NUMBER	NUMBER OF POS.	DIM A	DIM B	DIM C	DIM D	DIM E	DIM F	DIM G	LOADED POSITION	TAIL LENGTH	HOUSING COLOR	PRODUCT FIGURE	LOCATOR TYPE	PLATING CODE X	PLATING
87180-X44/-X44LF/-X44HLF	4	3.05	3.81	7.62	11.20	3.05	5.50	7.87	ALL POS.	3.18MM	BLACK	FIGURE 1	TYPE A	0	5u" Au + high performance lubricant
2,3									1					15 u" G.X.T.	
ALL POS.									2					20 u" GFPD	
87180-X66/-X66LF/-X66HLF	6	5.08	6.35	10.16	13.20	4.06	6.60	9.90	ALL POS.	3.18MM	BLACK	FIGURE 1	TYPE B	3	5u" Au + high performance lubricant
2,3,4,5									4					15 u" G.X.T.	
1,2,5,6									5					50 u" G.X.T.	
3,4									6					6 u" G.X.T.	
ALL POS.									7					2 u" G.X.T.	
ALL POS.									A					30u" GXT	
87180-X84/-X84LF/-X84HLF	8	7.11	8.89	11.43	15.24	4.06	6.30	11.94	3,4,5,6	3.18MM	BLACK	FIGURE 2	TYPE A	B	30u" Au
1,4,5,8															
1,2,3,6															
1,2,7,8															
ALL POS.															
3,4,5,6															
3,4,5,6															
87180-X84GSLF/-X841GSHXXLF									ALL POS.	GREY					

LEAD FREE PRODUCT NO.
 BLANK: STANDARD TUBE PACKAGE
 TR: TAPE & REEL WITH MYLAR APPLY ONLY 87180-X6XHTRLF
 MEETS PIP PROCESS PRODUCT NO.



WIRE POSITION No



- NOTES:
- RECOMMENDED P.C.B THICKNESS 1.60 MM
 - HOUSING MAT'L: HIGH TEMP THERMAL PLASTIC
UL94-V0, COLOR : SEE TABLE.
 - CONTACTS: PHOS BRONZE ALLOY UNS-C51000, 50u" NI UNDER PLATING
0.460DIA. ROUND WIRE. ,PLATING SEE TABLE.
 - APPEARS ON 8 POS TYPE (P/N 87180-X8X) ONLY.
 - PROTRUDED SHELF ONLY APPEARS ON 8-POS JACK.
 - STANDARD PACKAGING METHOD(USE TUBE): SEE GES-14-361.
87180-XXTRLF SPECIAL PACKAGE WITH TAPE & REEL
 - COMPANY LOGO CAN BE "BERG" OR "DU PONT" OR "FCI", AND WOULD APPEAR IN THE SAME SHIPMENT UNLESS LOGO SPEC HEREIN IS UPDATED.
 - THE PRODUCT MEETS EUROPEAN UNION DIRECTIVES AND OTHER COUNTRY REGULATIONS AS DESCRIBED IN GS-22-008.
 - THE HOUSING WILL WITHSTAND EXPOSURE TO 260°C PEAK TEMPERATURE FOR 10 SECONDS IN A WAVE SOLDER APPLICATION WITH A 1.60mm MINIMUM THICK CIRCUIT BOARD.
 - IF LF P/N PACKAGING MEETS GS-14-920 SPECIFICATION.
 - EQUIVALENT THICKNESS Au AND GXT PLATING HAVE SAME FUNCTION AND THEY ARE ALTERNATIVE BY THE CUSTOEMR .

mat'l. code		surface	tolerance	projection	product family
ISO 1302		ISO 406	ISO 1101	HPL 580	
ltr	ecn no	dr	date	title	
AE				MOD JACK, FOR 1.6MM P.C.B.	
angles		0.0±0.30		mm	
linear		0.00±0.15		scale 1:1	
0±2'		0.000±0.05		dwg no	
dr		Laurence.Zang	12/22/17	sheet 3 of 3 size	
eng		Laurence.Zang	12/22/17	87180	
chr		Tim.Yao	12/22/17	A3	
appd		Tim.Yao	12/22/17	type Product Customer Drawing	
sheet index	revision sheet				

Amphenol FCI

© 2016 AFCI

Mouser Electronics

Authorized Distributor

Click to View Pricing, Inventory, Delivery & Lifecycle Information:

[FCI / Amphenol:](#)

[87180-044LF](#) [87180-366](#) [87180-086LF](#) [87180-088LF](#) [87180-066LF](#) [87180-544LF](#) [87180-564LF](#) [87180-566LF](#)
[87180-064LF](#) [87180-086](#) [87180-384C](#) [87180-166LF](#) [87180-042](#) [87180-062](#) [87180-084C](#) [87180-188](#) [87180-344](#)
[87180-364](#) [87180-384](#) [87180-388](#) [87180-466](#) [87180-588](#) [69253-004LF](#) [87180-042LF](#) [87180-062LF](#) [87180-084LF](#)
[87180-088ELF](#) [87180-344LF](#) [87180-364LF](#) [87180-366LF](#) [87180-388LF](#) [87180-466LF](#) [87180-562LF](#) [87180-588LF](#)
[87180-788LF](#) [87180-084GSLF](#) [87180-144](#) [87180-164](#) [87180-166](#) [87180-184C](#) [87180-666](#) [87180-666LF](#) [87180-](#)
[688](#) [87180-564](#) [87180-064](#) [87180-044](#) [87180-066](#) [87180-088](#) [87180-484LF](#) [87180-484GSLF](#) [87180-088GLF](#)