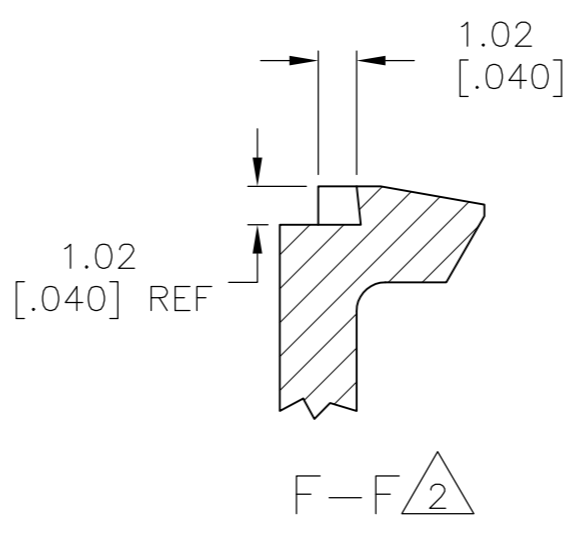
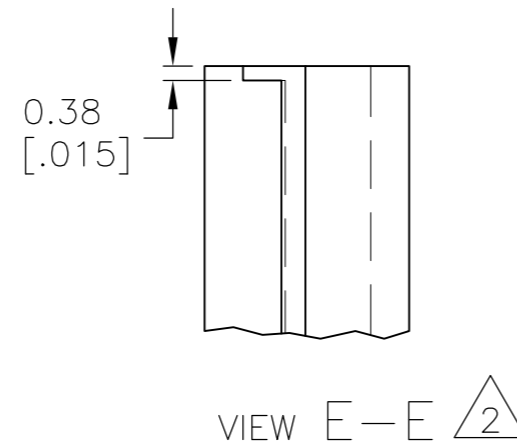
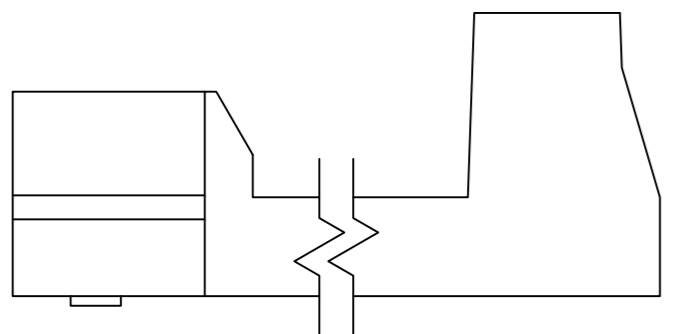
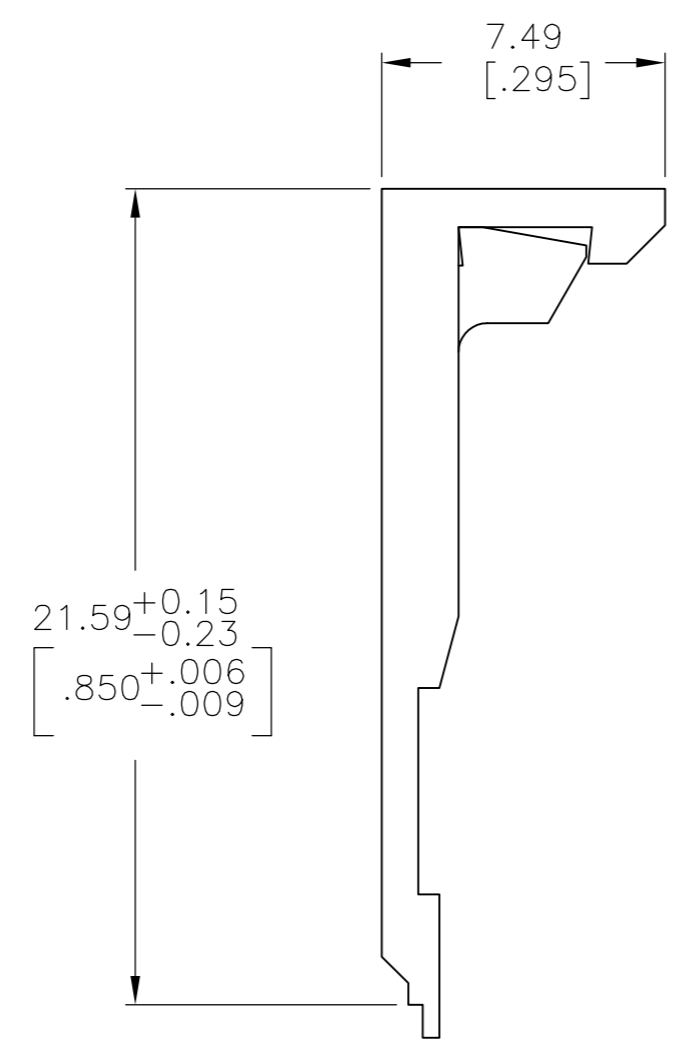
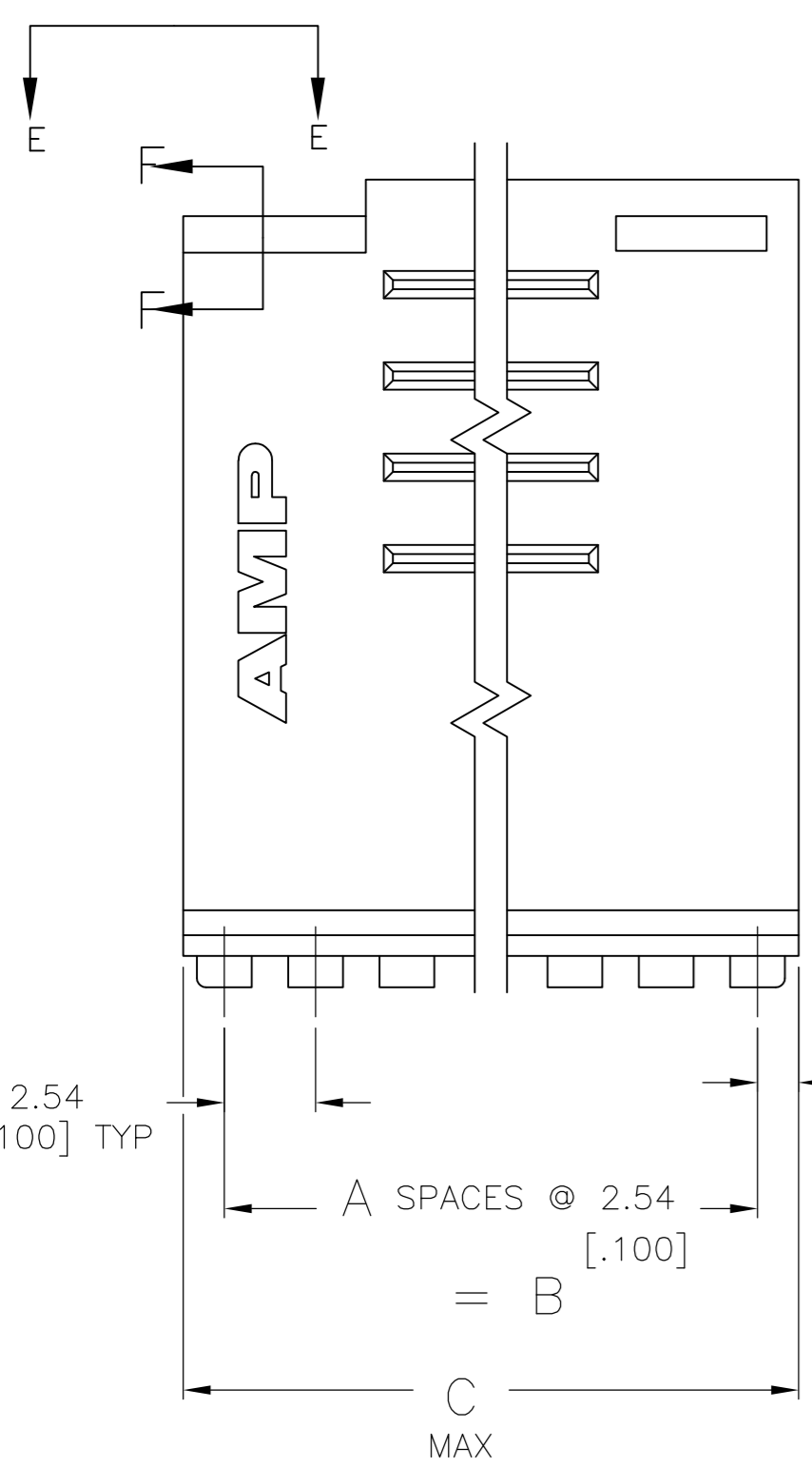


THIS DRAWING IS UNPUBLISHED. RELEASED FOR PUBLICATION  
 © COPYRIGHT - By - ALL RIGHTS RESERVED.

LOC		DIST		REVISIONS			
P	LTR	DESCRIPTION		DATE	DWN	APVD	
AD	00	L	REVISED PER ECO-15-008006	17NOV2015	NK	MM	



- $\triangle 1$  THIS COVER IS TO BE USED IN PAIRS, WITH A DOUBLE ROW HOUSING. NUMBER OF POSITIONS INDICATED PERTAINS TO THE HOUSING.
- $\triangle 2$  THESE VIEWS APPLY TO -1 AND -2 ONLY.



OBSOLETE	91.44	[3.600]	88.90	[3.500]	35	72	<del>3-102396-4</del>
OBSOLETE	88.90	[3.500]	86.36	[3.400]	34	70	<del>3-102396-3</del>
OBSOLETE	86.36	[3.400]	83.82	[3.300]	33	68	<del>3-102396-2</del>
OBSOLETE	83.82	[3.300]	81.28	[3.200]	32	66	<del>3-102396-1</del>
	81.28	[3.200]	78.74	[3.100]	31	64	3-102396-0
OBSOLETE	78.74	[3.100]	76.20	[3.000]	30	62	<del>2-102396-9</del>
	76.20	[3.000]	73.66	[2.900]	29	60	2-102396-8
OBSOLETE	73.66	[2.900]	71.12	[2.800]	28	58	<del>2-102396-7</del>
OBSOLETE	71.12	[2.800]	68.58	[2.700]	27	56	<del>2-102396-6</del>
OBSOLETE	68.58	[2.700]	66.04	[2.600]	26	54	<del>2-102396-5</del>
OBSOLETE	66.04	[2.600]	63.50	[2.500]	25	52	<del>2-102396-4</del>
	63.50	[2.500]	60.96	[2.400]	24	50	2-102396-3
OBSOLETE	60.96	[2.400]	58.42	[2.300]	23	48	<del>2-102396-2</del>
OBSOLETE	58.42	[2.300]	55.88	[2.200]	22	46	<del>2-102396-1</del>
OBSOLETE	55.88	[2.200]	53.34	[2.100]	21	44	<del>2-102396-0</del>
OBSOLETE	53.34	[2.100]	50.80	[2.000]	20	42	<del>1-102396-9</del>
	50.80	[2.000]	48.26	[1.900]	19	40	1-102396-8
OBSOLETE	48.26	[1.900]	45.72	[1.800]	18	38	<del>1-102396-7</del>
OBSOLETE	45.72	[1.800]	43.18	[1.700]	17	36	<del>1-102396-6</del>
	43.18	[1.700]	40.64	[1.600]	16	34	1-102396-5
	40.64	[1.600]	38.10	[1.500]	15	32	1-102396-4
	38.10	[1.500]	35.56	[1.400]	14	30	1-102396-3
	35.56	[1.400]	33.02	[1.300]	13	28	1-102396-2
	33.02	[1.300]	30.48	[1.200]	12	26	1-102396-1
	30.48	[1.200]	27.94	[1.100]	11	24	1-102396-0
	27.94	[1.100]	25.40	[1.000]	10	22	102396-9
	25.40	[1.000]	22.86	[.900]	9	20	102396-8
	22.86	[.900]	20.32	[.800]	8	18	102396-7
	20.32	[.800]	17.78	[.700]	7	16	102396-6
	17.78	[.700]	15.24	[.600]	6	14	102396-5
	15.24	[.600]	12.70	[.500]	5	12	102396-4
	12.70	[.500]	10.16	[.400]	4	10	102396-3
	10.16	[.400]	7.62	[.300]	3	8	102396-2
	7.62	[.300]	5.08	[.200]	2	6	102396-1
	C	B	A	REF $\triangle 1$	PART NUMBER		
COVER DIMENSIONS				NO OF POSN			

THIS DRAWING IS A CONTROLLED DOCUMENT.

DWN E. BRANDBERG 13SEP94	 TE Connectivity	NAME	COVER		
CHK J. HERRINGTON 13SEP94		PRODUCT SPEC	MASS TERMINATION AMPMODU		
APVD J. HERRINGTON 13SEP94		APPLICATION SPEC	2.54 [.100] CL		
FINISH		WEIGHT	RESTRICTED TO		
DIMENSIONS: mm [INCHES] TOLERANCES UNLESS OTHERWISE SPECIFIED: 0 PLC ± - 1 PLC ± - 2 PLC ± 0.13 [.005] 3 PLC ± - 4 PLC ± - ANGLES ± - MATERIAL: FLAME RETARDANT THERMOPLASTIC, COLOR - BLACK		SIZE	CAGE CODE	DRAWING NO	RESTRICTED TO
		A2	00779	C=102396	
CUSTOMER DRAWING		SCALE	SHEET	REV	
		5:1	1 of 1	L	

# Mouser Electronics

Authorized Distributor

Click to View Pricing, Inventory, Delivery & Lifecycle Information:

[TE Connectivity:](#)

[1-102396-1](#)