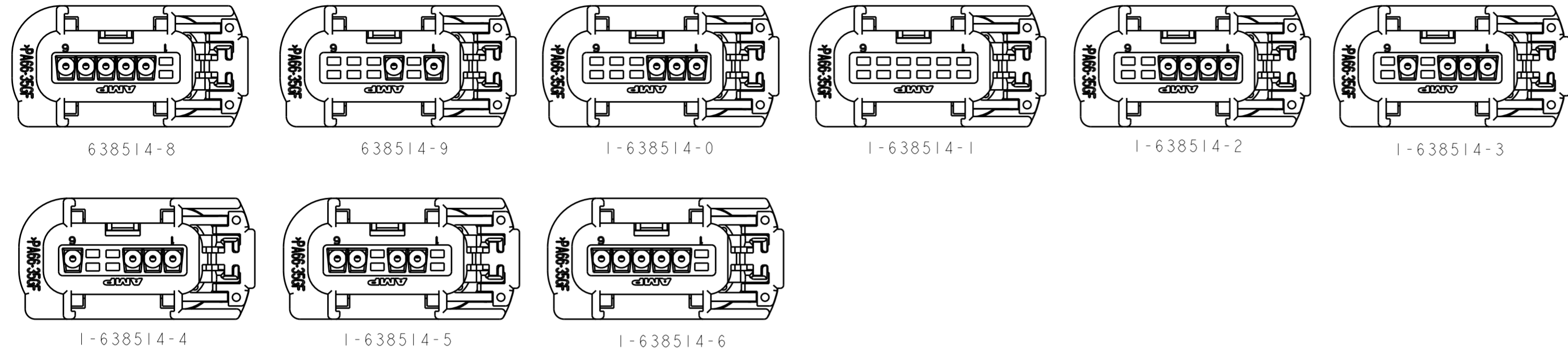
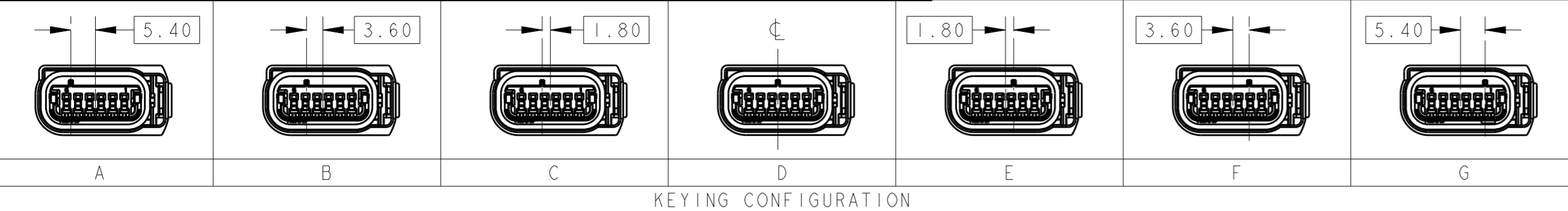
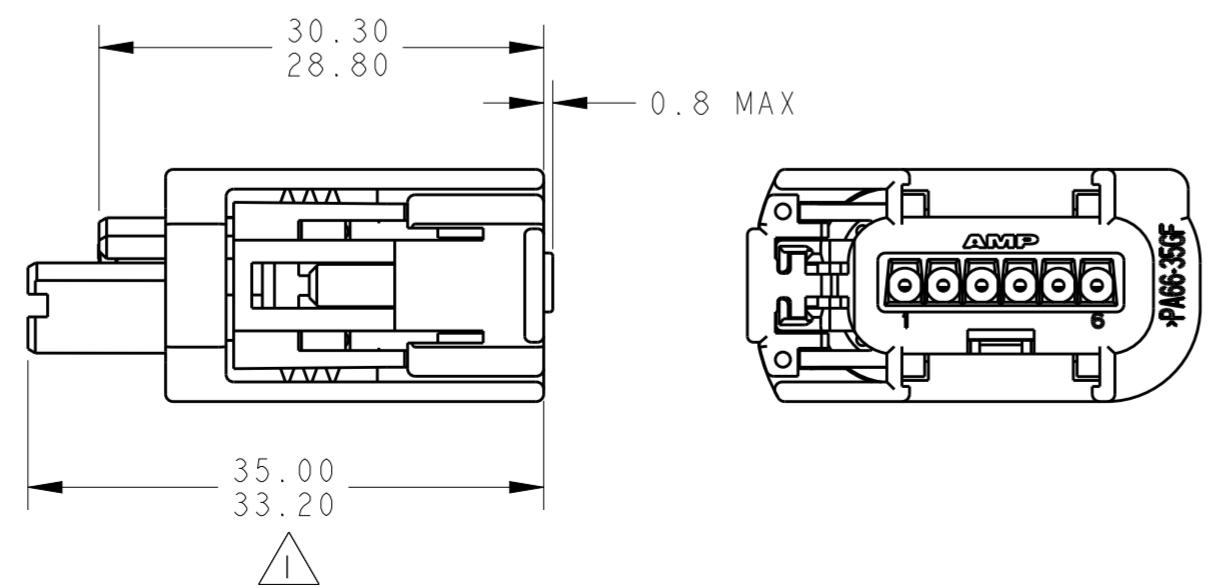
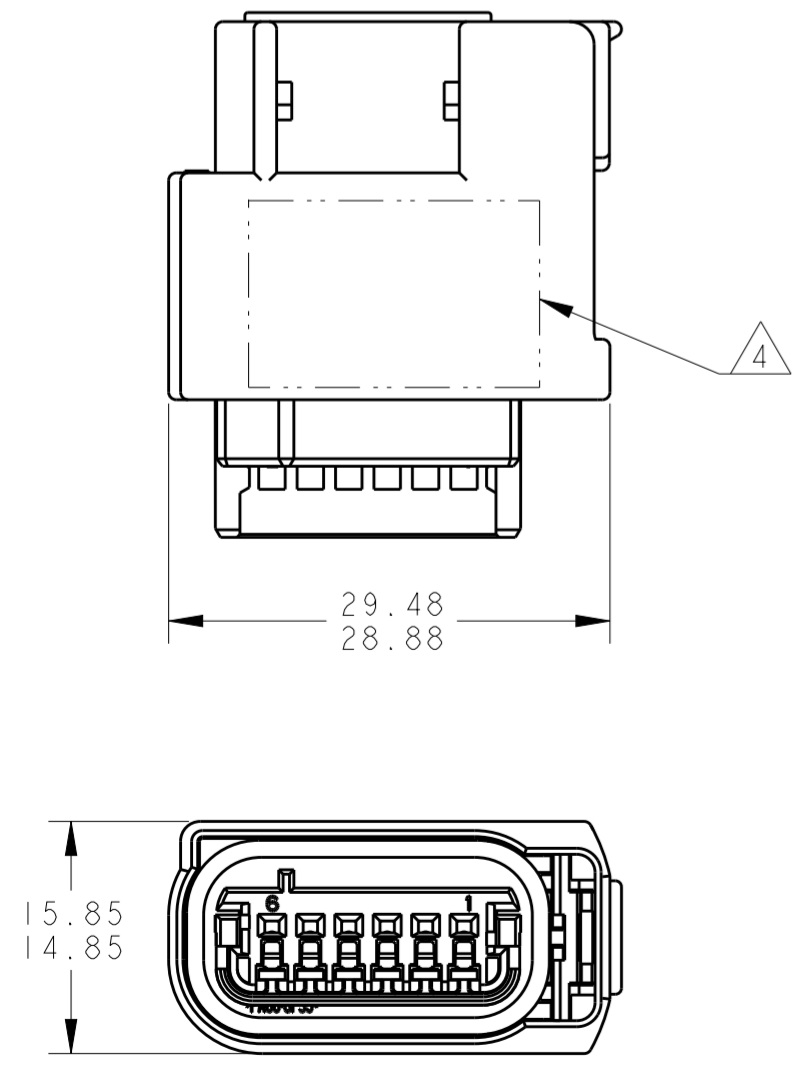
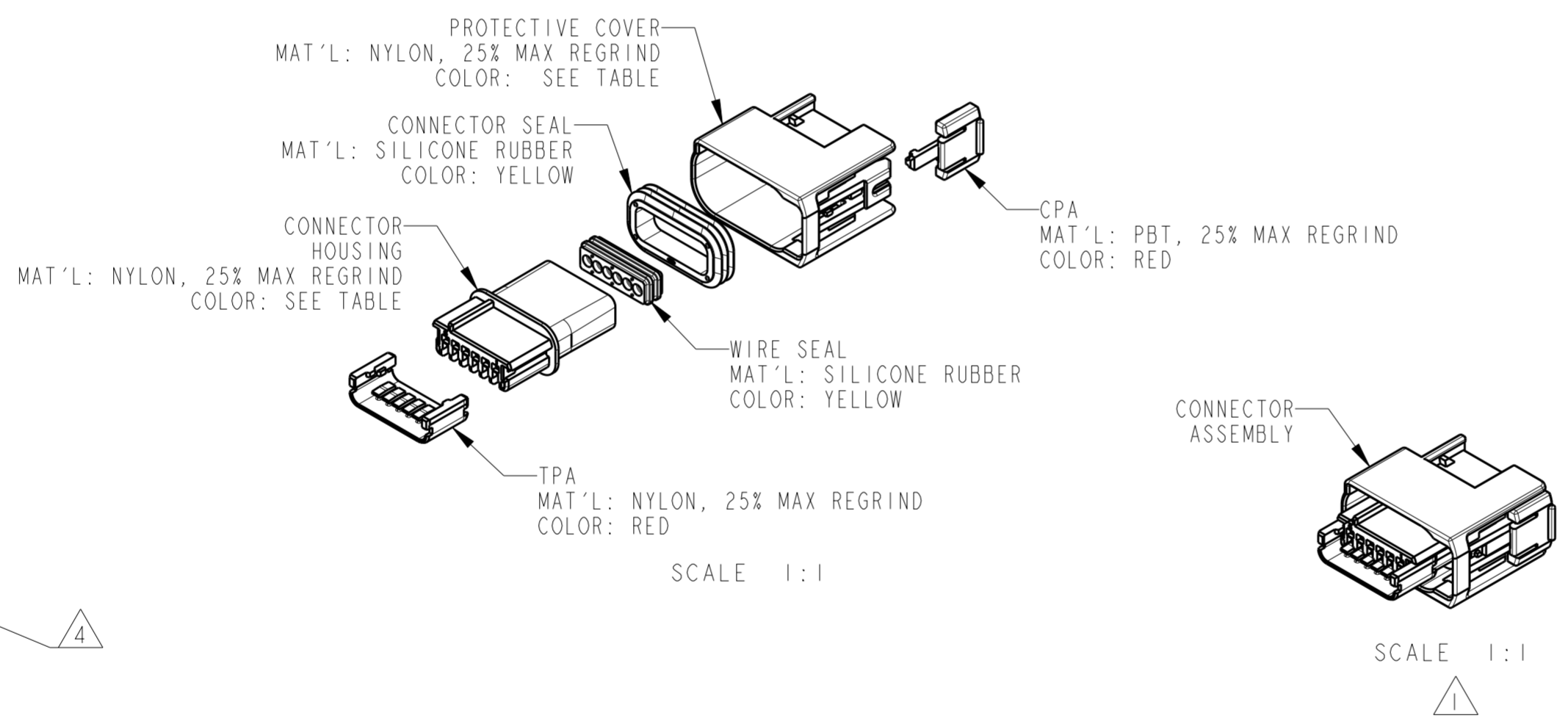


THIS DRAWING IS UNPUBLISHED. RELEASED FOR PUBLICATION 20
 © COPYRIGHT BY ALL RIGHTS RESERVED.

REVISIONS					
P	LTR	DESCRIPTION	DATE	DWN	APVD
F1		REVISED PER ECO-08-018575	30JUL2008	DLD	CJS
F2		REVISED PER ECO-16-011103	15AUG2016	DLD	JRV



- 1 TPA SHOWN IN PRE-LATCHED POSITION.
- 2 A "X" IN THIS TABLE INDICATES THAT THE CIRCUIT IS BLOCKED AND WILL NOT ALLOW INSERTION OF TERMINAL. A "-" INDICATES THAT INSERTION OF TERMINAL CAN OCCUR.
- 3. PART NUMBER 638514-1 SHOWN.
- 4 AMP PART NUMBER AND DATE CODE MARKED IN THIS GENERAL LOCATION.
- 5. TERMINALS SOLD SEPARATELY. SEE AMP RECOMMENDED PART NUMBERS 1326028 (GOLD PLATED), OR 638551 (TIN PLATED) FOR TERMINATION AND REELING OPTIONS.



	CIRCUIT 6	CIRCUIT 5	CIRCUIT 4	CIRCUIT 3	CIRCUIT 2	CIRCUIT 1	KEYING CONFIGURATION (SEE TABLE)	PART NUMBER
BLACK	-	-	-	-	-	X	G	1-638514-6
BLACK	-	-	X	-	-	X	A	1-638514-5
BLACK	-	X	X	-	-	-	A	1-638514-4
BLACK	X	-	X	-	-	-	A	1-638514-3
BLACK	X	X	-	-	-	-	A	1-638514-2
BLACK	X	X	X	X	X	X	A	1-638514-1
BLACK	X	X	X	-	-	-	A	1-638514-0
BLACK	X	X	X	-	X	-	A	638514-9
BLACK	-	-	-	-	-	X	A	638514-8
BLACK	-	-	-	-	-	-	G	638514-7
BLACK	-	-	-	-	-	-	F	638514-6
BLACK	-	-	-	-	-	-	E	638514-5
BLACK	-	-	-	-	-	-	D	638514-4
BLACK	-	-	-	-	-	-	C	638514-3
YELLOW	-	-	-	-	-	-	B	638514-2
BLACK	-	-	-	-	-	-	A	638514-1

ISOMETRIC VIEWS

THIS DRAWING IS A CONTROLLED DOCUMENT.

DIMENSIONS: mm	TOLERANCES UNLESS OTHERWISE SPECIFIED:	DWN B. BUCHTER 12APR2001	 TE Connectivity
	0 PLC ±	CHK M. SHORE 12APR2001	
	1 PLC ±	APVD G. BALAN 12APR2001	
	2 PLC ±0.5	PRODUCT SPEC SAE/USCAR-2 8/97	
MATERIAL SEE CALLOUT	ANGLES FINISH ±	APPLICATION SPEC	NAME CONNECTOR ASSEMBLY, FEMALE, 6 POSITION, SEALED, 0.64mm SIZE A200779 CAGE CODE C-638514 WEIGHT - CUSTOMER DRAWING

RESTRICTED TO REV F2

Mouser Electronics

Authorized Distributor

Click to View Pricing, Inventory, Delivery & Lifecycle Information:

[TE Connectivity:](#)

[1-638514-4](#)