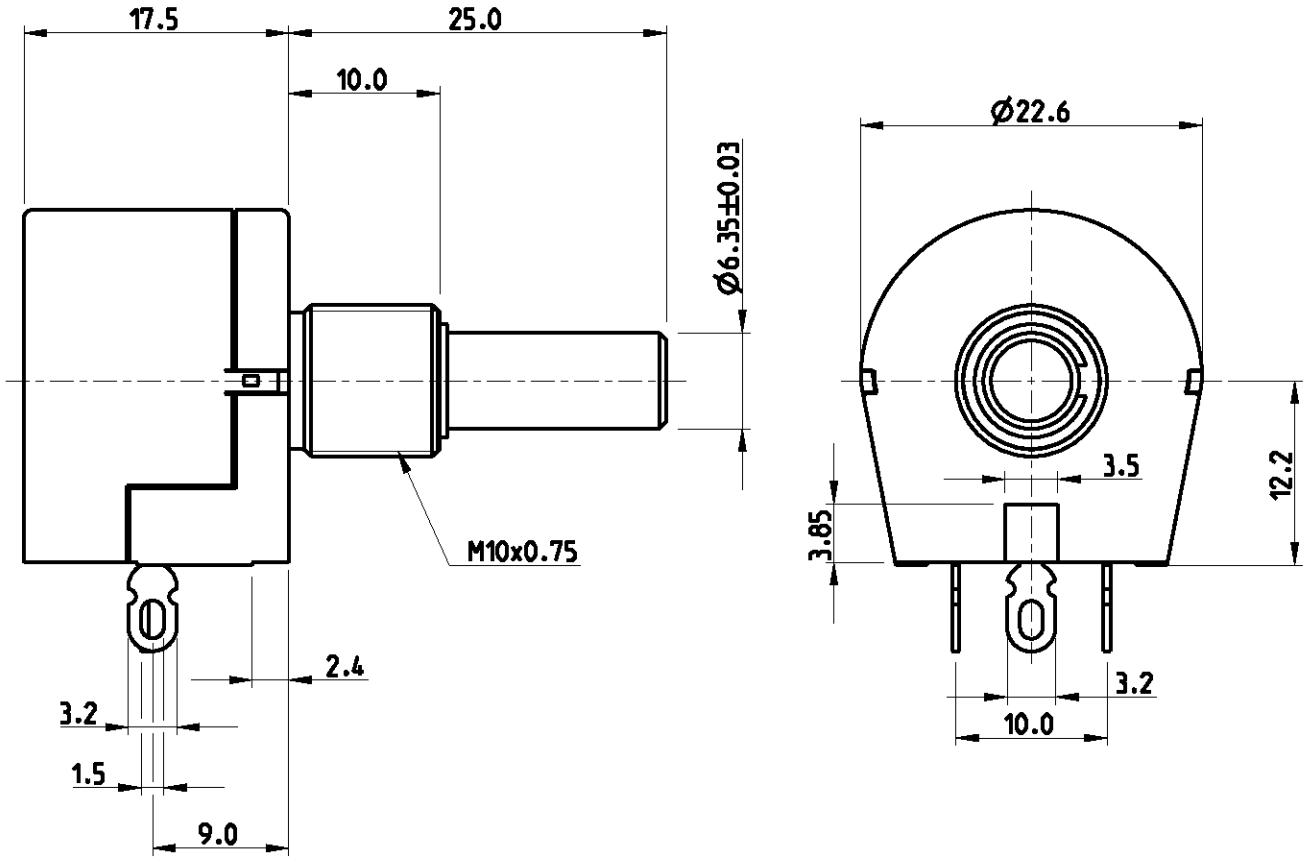
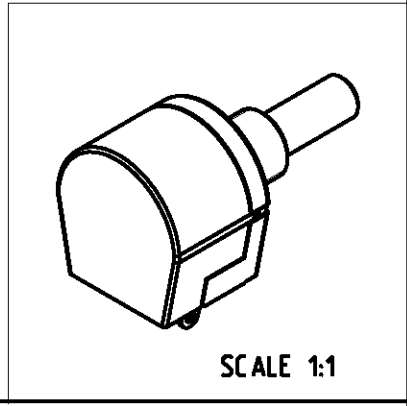


LOC	DIST	REVISIONS					
E	B	P	LTR	DESCRIPTION	DATE	DWN	APVD
		A1		REVISED PER ECO-11-005150	28APR11	RK	HMR



RoHS Compliant



FOR FURTHER INFORMATION SEE DATA SHEET FOR
SERIES TW - WIRE WOUND SPINDLE OPERATED POTENTIOMETER

2009
 RELEASED FOR PUBLICATION
 ALL RIGHTS RESERVED.
 THIS DRAWING IS UNPUBLISHED.
 BY
 COPYRIGHT

DIMENSIONS:	DWN	08-JAN-09	MATERIAL	-	FINISH	-
mm	CHK	08-JAN-09				
TOLERANCES UNLESS OTHERWISE SPECIFIED:	APVD	08-JAN-09				
0 PLC	STEPHEN.P		NAME			
1 PLC	PRODUCT SPEC		WIRE WOUND SPINDLE OPERATED POTENTIOMETER			
2 PLC	-		SERIES TW			
3 PLC	APPLICATION SPEC		SIZE	CAGE CODE	DRAWING NO	RESTRICTED TO
4 PLC	-		A 4	00779	C-1676979	-
ANGLES	WEIGHT	-	CUSTOMER DRAWING			
±0.2			SCALE	2:1	SHEET	1 OF 1
±0.1					REV	A1
±						
±						
±						
±						
±5°						

Mouser Electronics

Authorized Distributor

Click to View Pricing, Inventory, Delivery & Lifecycle Information:

[TE Connectivity:](#)

[TW1101KA](#)