

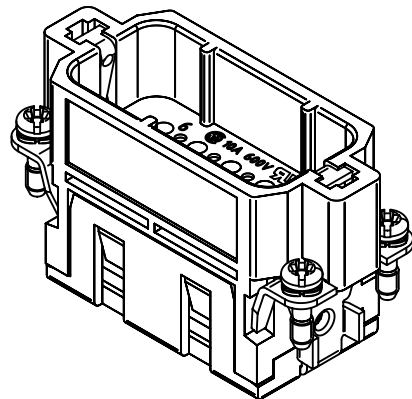
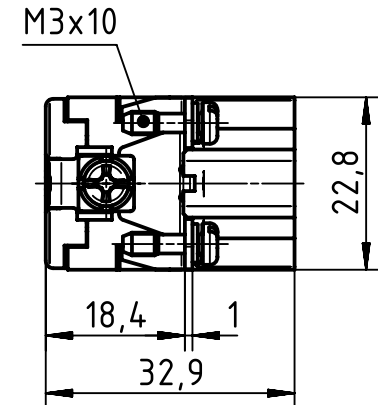
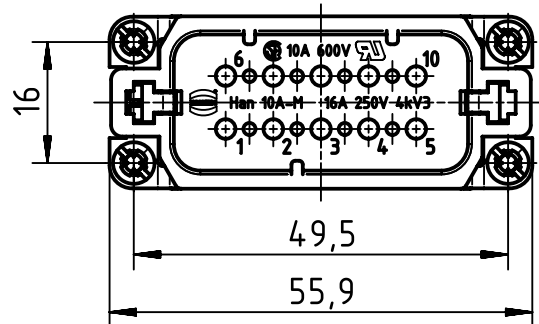
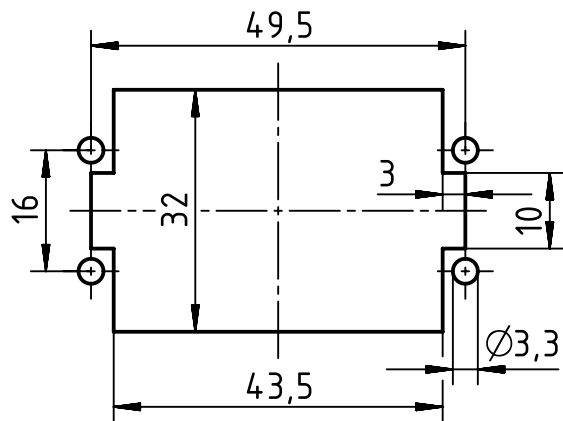
A

B

C

D

panel cut out



	All rights reserved Department EL PD - DE HARTING Electric GmbH & Co. KG D-32339 Espelkamp	All Dimensions in mm Original Size DIN A4		Scale 1:1	Free size tol.	Ref. Sub.		
		Created by SPRENB	Inspected by BERGHORN	Standardisation TIEMANNA	Date 2015-09-18	State Final Release	Doc-Key / ECM-Nr. 100087375/UGD/007/B 500000091602	
Title Han A 10 Pos. M Insert Crimp					Type TB	Number 09 20 010 3001	Rev. B	Page 1/1

Mouser Electronics

Authorized Distributor

Click to View Pricing, Inventory, Delivery & Lifecycle Information:

[HARTING:](#)

[09200103001](#)