

REVISIONS			
REV	DESCRIPTION	DATE	BY
A4	REDRAWN FOR ECR-08-013212	03JAN2008	DS RM
A5	ECR-10-003630	08FEB2010	MP MG
A6	ECR-15-008793	16JAN2015	GN GB
A7	PART REV. CORR.: 2-1437712-5, 2-1437713-6	22JUL2014	GB SZG

PART AS SUPPLIED				COMPONENTS		COLOURS		MATERIALS	
TYCO ELECTRONICS PART No.	DESCRIPTION	WATERPROOF	WEIGHT	1 HOUSING	2 SPACER	1 HOUSING	2 SPACER	1 HOUSING	2 SPACER
2-1437712-5	2 WAY FEMALE CONNECTOR	YES	3.5gr.	1	1	BLACK	RED	HS-PBT 30% GF	PBTP 33% GF
2-1437713-6	2 WAY FEMALE CONNECTOR	NO	3.5gr.	1	1				

PART AS SUPPLIED				COMPONENTS		COLOURS		MATERIALS	
TYCO ELECTRONICS PART No.	DESCRIPTION	WATERPROOF	WEIGHT	1 HOUSING	2 SPACER	1 HOUSING	2 SPACER	1 HOUSING	2 SPACER
2-1437712-8	2 WAY FEMALE CONNECTOR	YES	3.5gr.	1	1	NATURAL	RED	PBTP 33% GF	PBTP 33% GF
2-1437713-8	2 WAY FEMALE CONNECTOR	NO	3.5gr.	1	1				

PART AS SUPPLIED				COMPONENTS		COLOURS		MATERIALS	
TYCO ELECTRONICS PART No.	DESCRIPTION	WATERPROOF	WEIGHT	1 HOUSING	2 SPACER	1 HOUSING	2 SPACER	1 HOUSING	2 SPACER
2-1437712-9	2 WAY FEMALE CONNECTOR	YES	3.5gr.	1	1	RED	RED	PBTP 33% GF	PBTP 33% GF
2-1437713-9	2 WAY FEMALE CONNECTOR	NO	3.5gr.	1	1				

PART AS SUPPLIED				COMPONENTS		COLOURS		MATERIALS	
TYCO ELECTRONICS PART No.	DESCRIPTION	WATERPROOF	WEIGHT	1 HOUSING	2 SPACER	1 HOUSING	2 SPACER	1 HOUSING	2 SPACER
2-1437712-6	2 WAY FEMALE CONNECTOR	YES	3.5gr.	1	1	BLUE	RED	PBTP 33% GF	PBTP 33% GF
2-1437713-6	2 WAY FEMALE CONNECTOR	NO	3.5gr.	1	1				

PART AS SUPPLIED				COMPONENTS		COLOURS		MATERIALS	
TYCO ELECTRONICS PART No.	DESCRIPTION	WATERPROOF	WEIGHT	1 HOUSING	2 SPACER	1 HOUSING	2 SPACER	1 HOUSING	2 SPACER
2-1437712-7	2 WAY FEMALE CONNECTOR	YES	3.5gr.	1	1	GRAY	RED	PBTP 33% GF	PBTP 33% GF
2-1437713-7	2 WAY FEMALE CONNECTOR	NO	3.5gr.	1	1				

PART AS SUPPLIED				COMPONENTS		COLOURS		MATERIALS	
TYCO ELECTRONICS PART No.	DESCRIPTION	WATERPROOF	WEIGHT	1 HOUSING	2 SPACER	1 HOUSING	2 SPACER	1 HOUSING	2 SPACER
3-1437712-0	2 WAY FEMALE CONNECTOR	YES	3.5gr.	1	1	YELLOW	RED	PBTP 33% GF	PBTP 33% GF
3-1437713-0	2 WAY FEMALE CONNECTOR	NO	3.5gr.	1	1				

SUITABLE FOR		
TERMINAL MALE	WIRE SEAL	BLIND PLUG
0-1437709-6 (0.22-0.35mm) GOLD PLATED 0-1437709-7 (0.50-1.00mm) GOLD PLATED	1-1437713-1 (0.22-0.35) BLACK 1-1437713-2 (0.50-1.00) RED 1-1437713-3 (1.50) BLUE	1-1437713-4
1-1437709-1 (0.22-0.35mm) TIN PLATED 1-1437709-2 (0.50-1.00mm) TIN PLATED 1-1437709-3 (1.50mm) TIN PLATED		

SUITABLE FOR		
TERMINAL MALE	WIRE SEAL	BLIND PLUG
0-1437709-6 (0.22-0.35mm) GOLD PLATED 0-1437709-7 (0.50-1.00mm) GOLD PLATED	1-1437713-1 (0.22-0.35) BLACK 1-1437713-2 (0.50-1.00) RED 1-1437713-3 (1.50) BLUE	1-1437713-4
1-1437709-1 (0.22-0.35mm) TIN PLATED 1-1437709-2 (0.50-1.00mm) TIN PLATED 1-1437709-3 (1.50mm) TIN PLATED		

SUITABLE FOR		
TERMINAL MALE	WIRE SEAL	BLIND PLUG
0-1437709-6 (0.22-0.35mm) GOLD PLATED 0-1437709-7 (0.50-1.00mm) GOLD PLATED	1-1437713-1 (0.22-0.35) BLACK 1-1437713-2 (0.50-1.00) RED 1-1437713-3 (1.50) BLUE	1-1437713-4
1-1437709-1 (0.22-0.35mm) TIN PLATED 1-1437709-2 (0.50-1.00mm) TIN PLATED 1-1437709-3 (1.50mm) TIN PLATED		

SUITABLE FOR		
TERMINAL MALE	WIRE SEAL	BLIND PLUG
0-1437709-6 (0.22-0.35mm) GOLD PLATED 0-1437709-7 (0.50-1.00mm) GOLD PLATED	1-1437713-1 (0.22-0.35) BLACK 1-1437713-2 (0.50-1.00) RED 1-1437713-3 (1.50) BLUE	1-1437713-4
1-1437709-1 (0.22-0.35mm) TIN PLATED 1-1437709-2 (0.50-1.00mm) TIN PLATED 1-1437709-3 (1.50mm) TIN PLATED		

SUITABLE FOR		
TERMINAL MALE	WIRE SEAL	BLIND PLUG
0-1437709-6 (0.22-0.35mm) GOLD PLATED 0-1437709-7 (0.50-1.00mm) GOLD PLATED	1-1437713-1 (0.22-0.35) BLACK 1-1437713-2 (0.50-1.00) RED 1-1437713-3 (1.50) BLUE	1-1437713-4
1-1437709-1 (0.22-0.35mm) TIN PLATED 1-1437709-2 (0.50-1.00mm) TIN PLATED 1-1437709-3 (1.50mm) TIN PLATED		

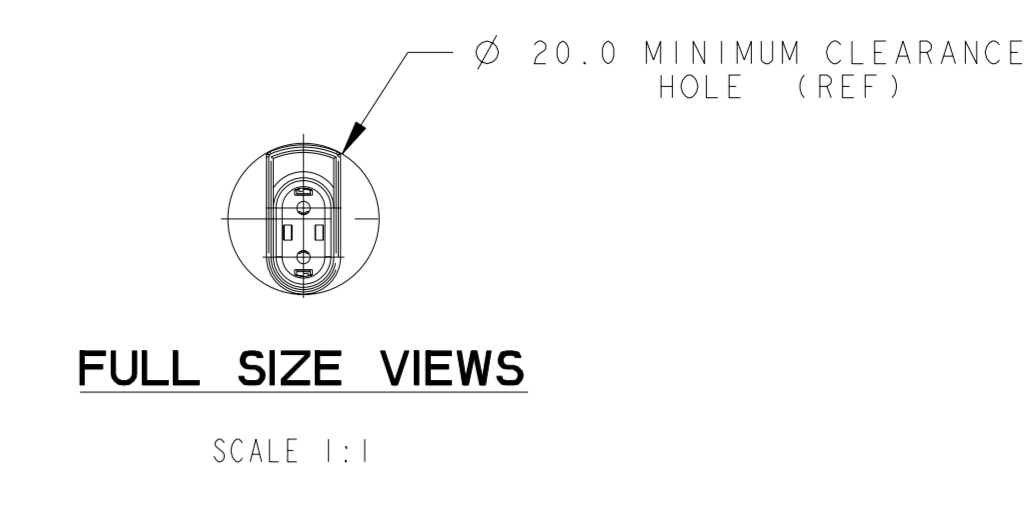
SUITABLE FOR		
TERMINAL MALE	WIRE SEAL	BLIND PLUG
0-1437709-6 (0.22-0.35mm) GOLD PLATED 0-1437709-7 (0.50-1.00mm) GOLD PLATED	1-1437713-1 (0.22-0.35) BLACK 1-1437713-2 (0.50-1.00) RED 1-1437713-3 (1.50) BLUE	1-1437713-4
1-1437709-1 (0.22-0.35mm) TIN PLATED 1-1437709-2 (0.50-1.00mm) TIN PLATED 1-1437709-3 (1.50mm) TIN PLATED		

MATING PARTS	
TYCO ELECTRONICS PART No.	DESCRIPTION
5-1437710-5	2 WAY MALE CONNECTOR
5-1437710-6	2 WAY MALE CONNECTOR WITH RETAINER
5-1437710-7	2 WAY MALE CONNECTOR
5-1437710-8	2 WAY MALE CONNECTOR WITH RETAINER

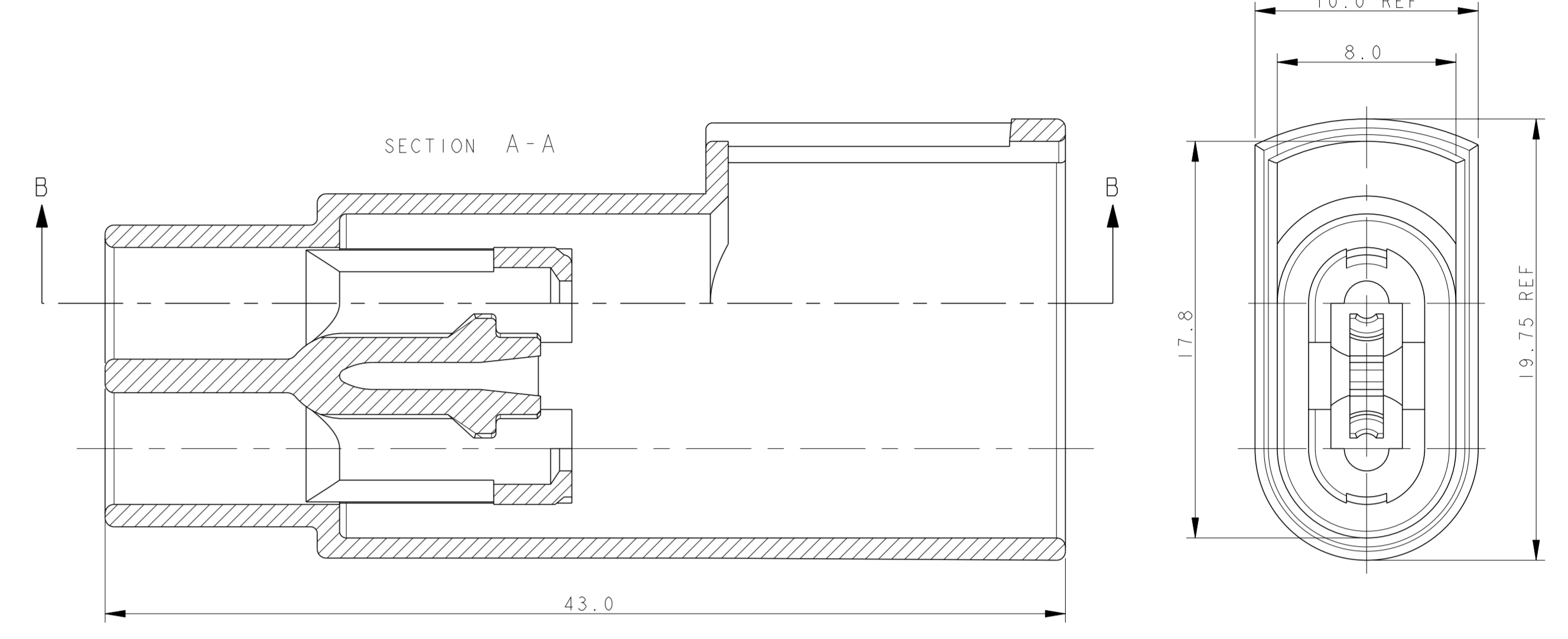
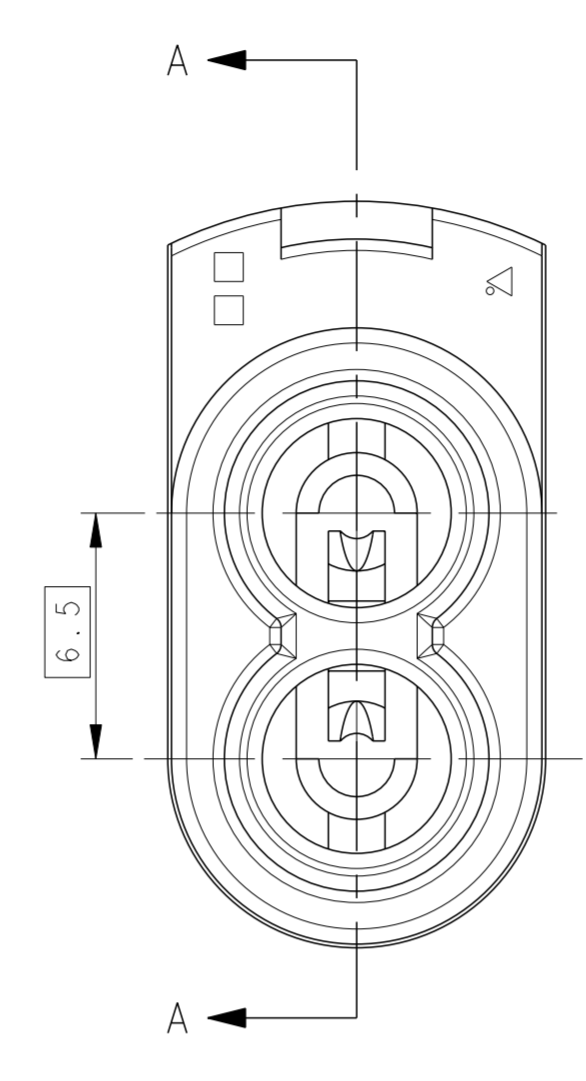
MATING PARTS	
TYCO ELECTRONICS PART No.	DESCRIPTION
6-1437710-6	2 WAY MALE CONNECTOR
6-1437710-7	2 WAY MALE CONNECTOR WITH RETAINER
6-1437710-8	2 WAY MALE CONNECTOR
6-1437710-9	2 WAY MALE CONNECTOR WITH RETAINER

MATING PARTS	
TYCO ELECTRONICS PART No.	DESCRIPTION
-	2 WAY MALE CONNECTOR
7-1437710-0	2 WAY MALE CONNECTOR WITH RETAINER
-	2 WAY MALE CONNECTOR
7-1437710-1	2 WAY MALE CONNECTOR WITH RETAINER

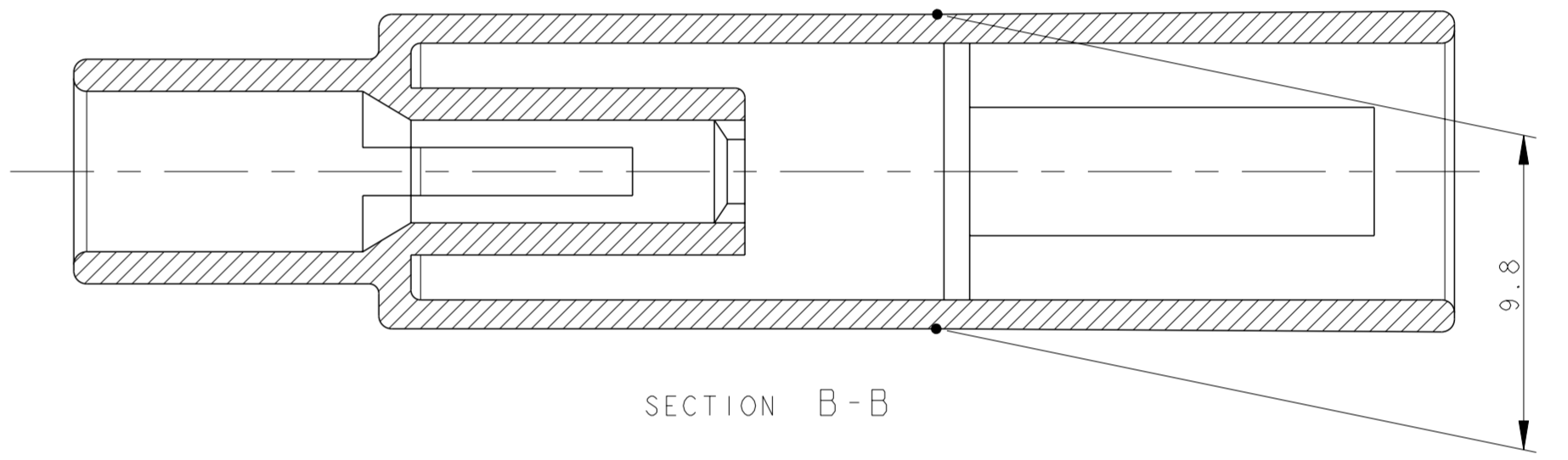
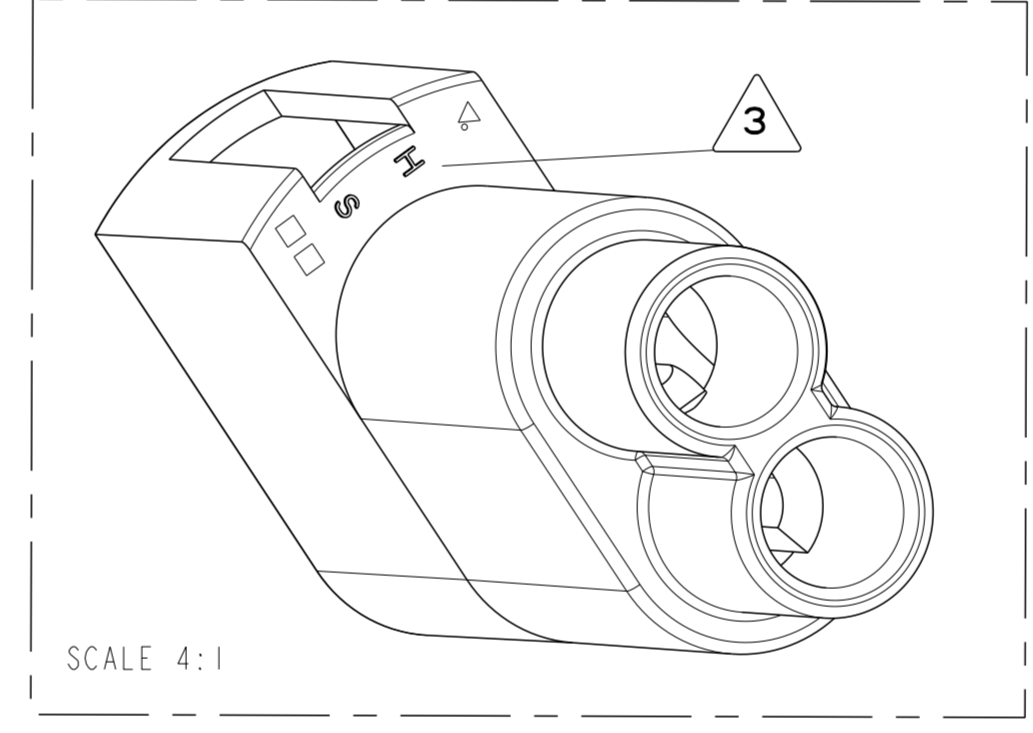
MATING PARTS	
TYCO ELECTRONICS PART No.	DESCRIPTION
5-1437710-9	2 WAY MALE CONNECTOR
6-1437710-0	2 WAY MALE CONNECTOR WITH RETAINER
6-1437710-1	2 WAY MALE CONNECTOR
6-1437710-2	2 WAY MALE CONNECTOR WITH RETAINER



**1 HOUSING**  
WATERPROOF / NON WATERPROOF

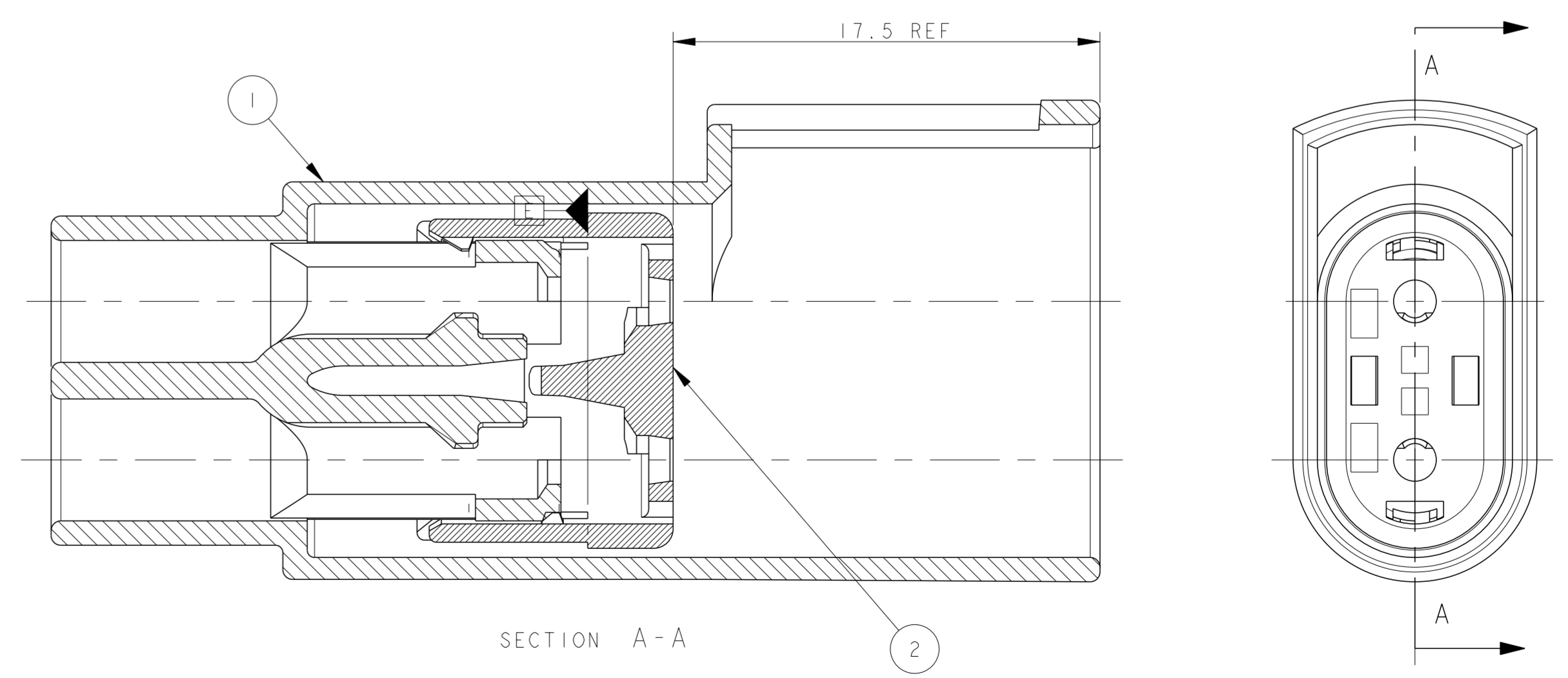
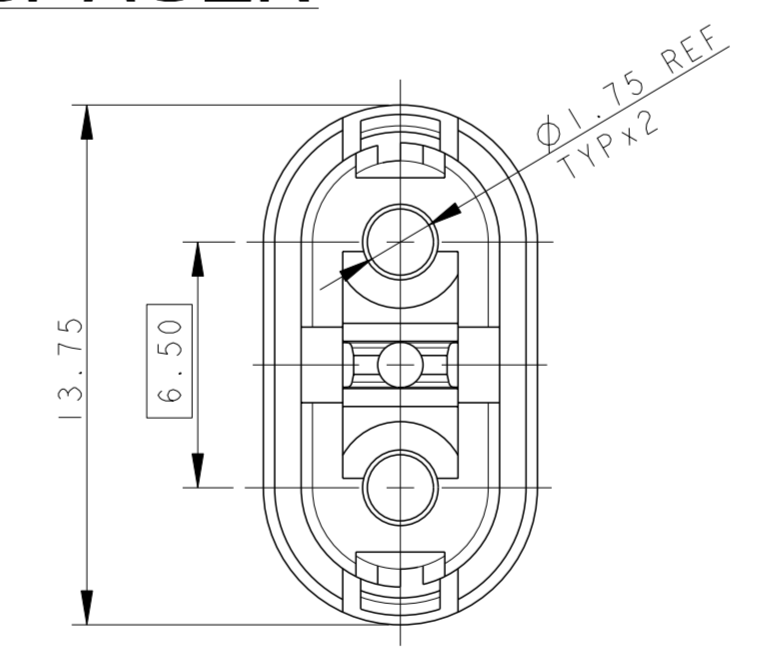


A6  
HS MARKING AT BLACK VERSION HOUSING ONLY



				DESCRIPTION	ITEM
1				HOUSING COLOUR BLACK	1
	1			HOUSING COLOUR NATURAL	1
		1		HOUSING COLOUR RED	1
			1	HOUSING COLOUR YELLOW	1
			1	HOUSING COLOUR GRAY	1
	1			HOUSING COLOUR BLUE	1
1	1	1		SPACER COLOUR RED	2

**2 SPACER**



NOTES UNLESS OTHERWISE SPECIFIED:

- SEE CHART FOR MATING PART NUMBERS.
- THE CONNECTOR IS DESIGNED TO PASS THROUGH A  $\varnothing$  20.00mm MIN. HOLE

A6 **3** HS MARKING - HIGH SPEED MATERIAL  
PBT GF 30 - IN CASE BLACK VERSION ONLY

THIS DRAWING IS A CONTROLLED DOCUMENT. DATE: 21FEB2006  
 DIMENSIONS: (MM) UNLESS OTHERWISE SPECIFIED. DRAWN: M. PALMA, 21FEB2006  
 CHECKED: J. MARTIN, 21FEB2006  
 APPROVED: J. GENT, 21FEB2006  
 PRODUCT SPEC: 108-20269  
 APPLICATION SPEC: 411-20111  
 WEIGHT: SEE TABLE  
 CUSTOMER DRAWING: A000779  
 SCALE: 5:1 SHEET: 1 of 2 REV: A7

**STE** TE Connectivity  
 1.6mm SYSTEM  
 2 WAYS CONNECTOR  
 FEMALE

REVISIONS				
P.	BY	DESCRIPTION	DATE	APPD.
-	SEE SHEET 1			

1.6

2 WAYS FEMALE , BLACK		TYPE
<b>ASSEMBLY</b>		
T&B UNIVERSAL PART No.	106045 / 106046	-
TYCO ELECTRONICS PART No.	⚠ 0-1437712-4	
T&B FORD PART No.	NPIWA-0002XX	
FORD PART No.	89FG-14A624-ABB	WATERPROOF
TYCO ELECTRONICS PART No.	2-1437712-5	
T&B FORD PART No.	NPIWA-DA02XX	
FORD PART No.	89FG-14A459-ABB	NON WATERPROOF
TYCO ELECTRONICS PART No.	2-1437713-6	

⚠ OBSOLETE, SUPERSEDED BY 2-1437712-5

2 WAYS FEMALE, RED		TYPE
<b>ASSEMBLY</b>		
T&B UNIVERSAL PART No.	106045 / 106046-R	-
TYCO ELECTRONICS PART No.	⚠ 0-1437712-7	
T&B FORD PART No.	NPIWA-R002XX	
FORD PART No.	89FG-14A624-ABB	WATERPROOF
TYCO ELECTRONICS PART No.	2-1437712-9	
T&B FORD PART No.	NPIWA-RA02XX	
FORD PART No.	89FG-14A459-ABB	NON WATERPROOF
TYCO ELECTRONICS PART No.	-	

⚠ OBSOLETE, SUPERSEDED BY 2-1437712-9

2 WAYS FEMALE, NATURAL		TYPE
<b>ASSEMBLY</b>		
T&B UNIVERSAL PART No.	106045 / 106046-N	-
TYCO ELECTRONICS PART No.	⚠ 0-1437712-6	
T&B FORD PART No.	NPIWA-N002XX	
FORD PART No.	89FG-14A624-ABB	WATERPROOF
TYCO ELECTRONICS PART No.	2-1437712-8	
T&B FORD PART No.	NPIWA-NA02XX	
FORD PART No.	89FG-14A459-ABB	NON WATERPROOF
TYCO ELECTRONICS PART No.	-	

⚠ OBSOLETE, SUPERSEDED BY 2-1437712-8

2 WAYS FEMALE, GREY		TYPE
<b>ASSEMBLY</b>		
T&B UNIVERSAL PART No.	106045 / 106046-G	-
TYCO ELECTRONICS PART No.	-	
T&B FORD PART No.	NPIWA-G002XX	
FORD PART No.	89FG-14A624-ABB	WATERPROOF
TYCO ELECTRONICS PART No.	2-1437712-7	
T&B FORD PART No.	NPIWA-GA02XX	
FORD PART No.	89FG-14A459-ABB	NON WATERPROOF
TYCO ELECTRONICS PART No.	-	

2 WAYS FEMALE, YELLOW		TYPE
<b>ASSEMBLY</b>		
T&B UNIVERSAL PART No.	106045 / 106046-Y	-
TYCO ELECTRONICS PART No.	-	
T&B FORD PART No.	NPIWA-Y002XX	
FORD PART No.	89FG-14A624-ABB	WATERPROOF
TYCO ELECTRONICS PART No.	3-1437712-0	
T&B FORD PART No.	NPIWA-YA02XX	
FORD PART No.	89FG-14A459-ABB	NON WATERPROOF
TYCO ELECTRONICS PART No.	-	

2 WAYS FEMALE, BLUE		TYPE
<b>ASSEMBLY</b>		
T&B UNIVERSAL PART No.	106045 / 106046-D	-
TYCO ELECTRONICS PART No.	⚠ 0-1437712-5	
T&B FORD PART No.	NPIWA-D002XX	
FORD PART No.	89FG-14A624-ABB	WATERPROOF
TYCO ELECTRONICS PART No.	2-1437712-6	
T&B FORD PART No.	NPIWA-DA02XX	
FORD PART No.	89FG-14A459-ABB	NON WATERPROOF
TYCO ELECTRONICS PART No.	-	

⚠ OBSOLETE, SUPERSEDED BY 2-1437712-6

THIS DRAWING IS A CONTROLLED DOCUMENT.

REV. M. PALMA 2/FEB/2006	NAME	1.6mm SYSTEM
CHK. J. MARTIN 2/FEB/2006	PRODUCT SPEC	2 WAYS CONNECTOR
APPV. J. GENT 2/FEB/2006	APPLICATION SPEC	FEMALE
DATE	SIZE	CASE CODE
	A0	00779
	SCALE	5:1
	SHEET	2 of 2
	REV.	A7

STE TE Connectivity

MATERIAL: SEE TABLE  
 FINISH: -  
 WEIGHT: SEE TABLE  
 CUSTOMER DRAWING

# Mouser Electronics

Authorized Distributor

Click to View Pricing, Inventory, Delivery & Lifecycle Information:

[TE Connectivity:](#)

[2-1437712-7](#)