

4

3

2

1

THIS DRAWING IS UNPUBLISHED.

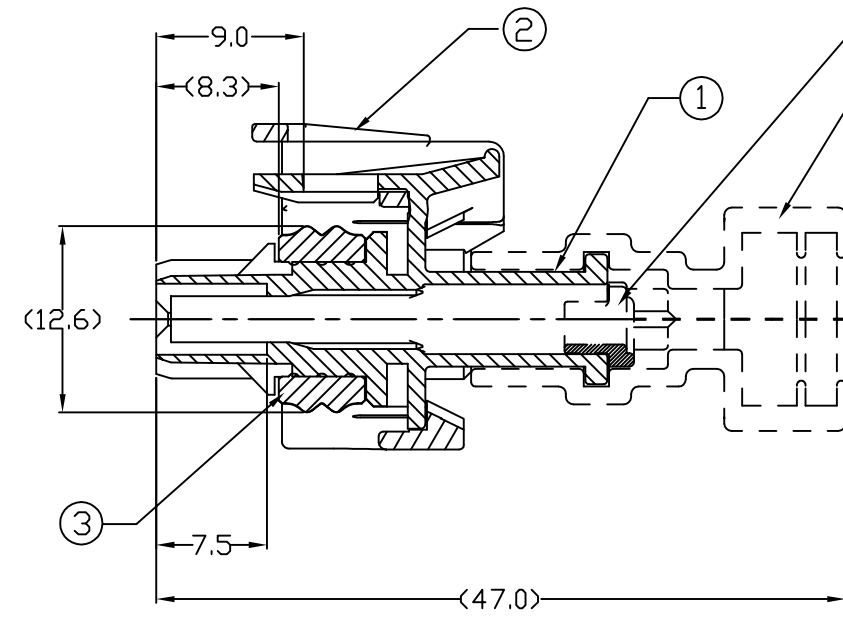
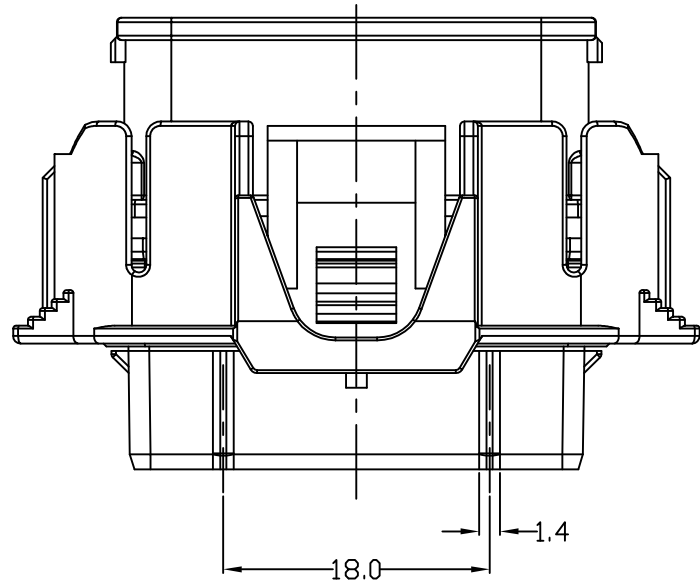
RELEASED FOR PUBLICATION

© COPYRIGHT

BY TYCO ELECTRONICS CORPORATION, ALL RIGHTS RESERVED.

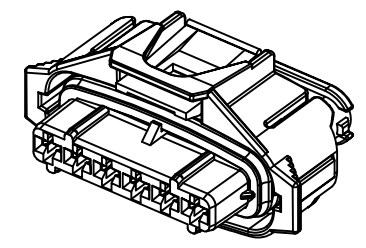
REVISIONS

P	LTR	DESCRIPTION	DATE	DWN	APVD
	A	REVISED< ECR-12-010674 >	13, JUN, '12	JM	HG
	A1	REVISED< ECR-14-014192 >	07, NOV, '14	JM	HG
	B	REVISED< ECR-15-008999 >	06, JUL, '15	SJ	HG



SECTION A-A
(SCALE 2/1)

DBL HSG(P/N:936397) (A1)
WIRE COVER(P/N:936398) (A1)



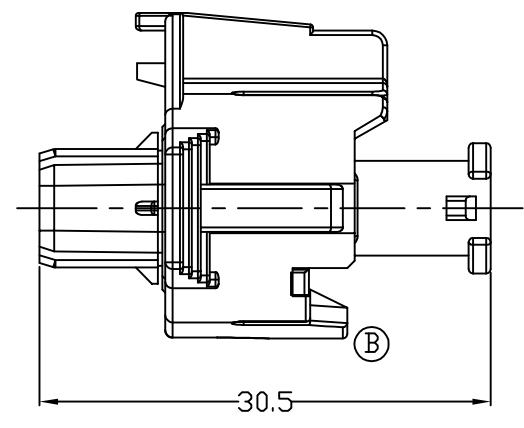
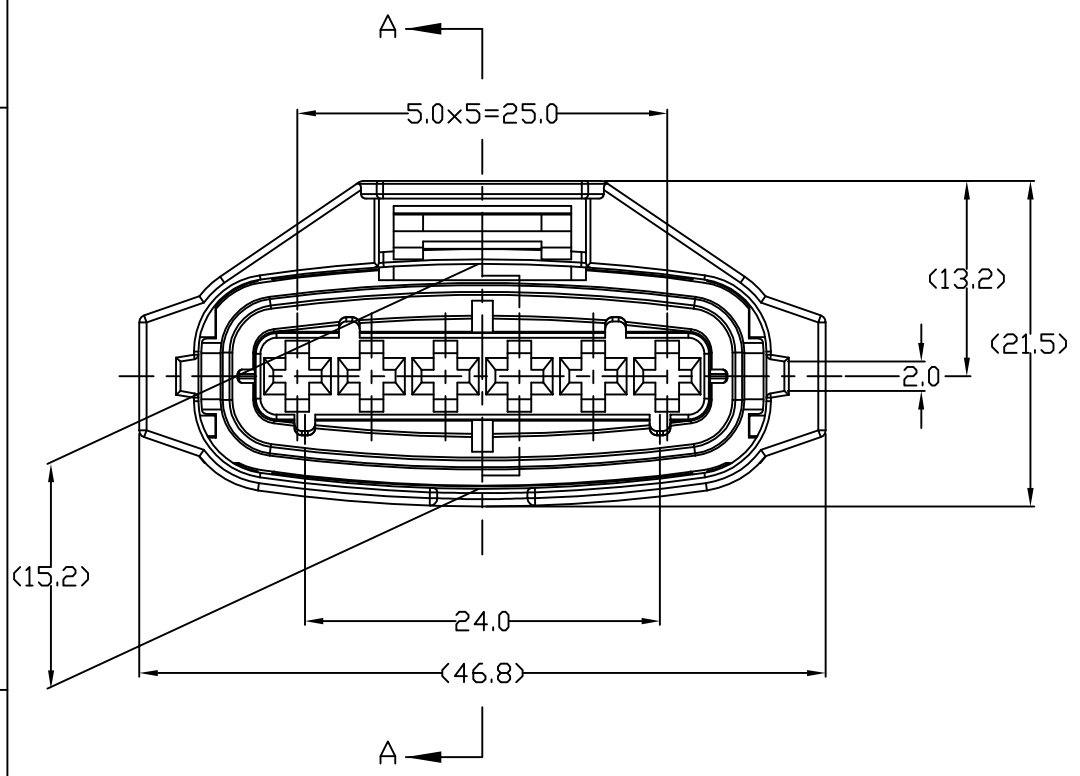
NOTE;

- GENERAL TOLERANCES : ±0.3, ±3°.
- 0.15 MAX. WARPAGE AND 0.2 MAX. FLASH ARE PERMISSIBLE
- SURFACE DEFECTS ARE NOT ACCEPTABLE AS FOLLOW: SINK, WELD LINES, HAIRCRACKS, STAINS & SCORES
- APPLIED RECEPTACLE CONTACT P/N:

DESCRIPTION	2.8mm SENSOR-FLAT RECEPTACLE
Part NO.	967542 967543
WIRE SIZE(mm ²)	0.5 ~ 1.0 1.25 ~ 2.5

- APPLIED WIRE SEAL P/N:

DESCRIPTION	SINGLE-WIRE SEAL(5mm Hole)
Part NO.	828904 828905
INSULATION DIA.(∅)	1.2 ~ 2.1mm 2.2 ~ 3.0mm



NO	P/N	DESCRIPTION	MATERIAL	COLOR	Q' TY
3	936855-1	INNER SEAL	SILICONE(LSR)	RED ORANGE	1
2	936396-2	PROTECTOR HSG	PA66 GF15	BLACK	1
1	936395-2	PLUG HSG	PA66 GF15	BLACK	1

ASSEMBLY P/N
0-936394-2

THIS DRAWING IS A CONTROLLED DOCUMENT FOR TYCO ELECTRONICS CORPORATION
IT IS SUBJECT TO CHANGE AND THE CONTROLLING ENGINEERING ORGANIZATION
SHOULD BE CONTACTED FOR THE LATEST REVISION.

DIMENSIONS: MM	TOLERANCES UNLESS OTHERWISE SPECIFIED:	DWN SJ CHOI
<p>3rd ANGLE PROJECTION</p>	0 PLC ±	CHK JW JUNG
	1 PLC ±	APVD HG CHO
	2 PLC ±	PRODUCT SPEC
	3 PLC ±	APPLICATION SPEC
MATERIAL	FINISH	WEIGHT
SEE TABLE		

TE TE Connectivity

NAME: 2.8mm SEALED 6P PLUG ASSEMBLY

SIZE: A3 CAGE CODE: 00779 DRAWING NO: 936394 RESTRICTED TO: C

SCALE: 2/1 SHEET: 1 OF 1 REV: B

Mouser Electronics

Authorized Distributor

Click to View Pricing, Inventory, Delivery & Lifecycle Information:

[TE Connectivity:](#)

[936394-2](#)