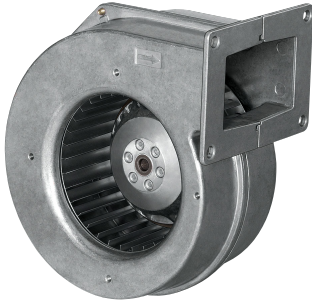


G2E108-AG63-01

AC centrifugal fan

forward curved, single inlet

with housing (flange), for solid fuel heating systems



ebm-papst Mulfingen GmbH & Co. KG

Bachmühle 2 · D-74673 Mulfingen

Phone +49 7938 81-0

Fax +49 7938 81-110

info1@de.ebmpapst.com

www.ebmpapst.com

Limited partnership · Headquarters Mulfingen
County court Stuttgart · HRA 590344

General partner Elektrobau Mulfingen GmbH · Headquarters Mulfingen
County court Stuttgart · HRB 590142

Nominal data

Type	G2E108-AG63-01		
Motor	M2E052-BF		
Phase		1~	1~
Nominal voltage	VAC	230	230
Frequency	Hz	50	60
Type of data definition		fa	fa
Valid for approval / standard		CE	CE
Speed	min ⁻¹	1850	1850
Power input	W	30	35
Current draw	A	0.14	0.16
Motor capacitor	µF	1	1
Capacitor voltage	VDB	400	400
Capacitor standard		P0 (CE)	P0 (CE)
Min. back pressure	Pa	0	0
Min. ambient temperature	°C	-25	-25
Max. ambient temperature	°C	85	80

ml = max. load · me = max. efficiency · fa = running at free air · cs = customer specs · cu = customer unit
Subject to alterations



AC centrifugal fan

forward curved, single inlet

with housing (flange), for solid fuel heating systems

Technical features

Mass	1.41 kg
Size	108 mm
Surface of rotor	Partially cast in aluminium
Material of impeller	Sheet steel, hot-galvanised
Housing material	Die-cast aluminium
Direction of rotation	Clockwise, seen on rotor
Type of protection	IP 44
Insulation class	"B"
Max. permissible ambient motor temp. (transp./ storage)	+ 80 °C
Min. permissible ambient motor temp. (transp./storage)	- 40 °C
Mounting position	Any
Condensate discharge holes	None
Operation mode	S1
Motor bearing	Ball bearing
Leakage current	< 0.75 mA
Motor protection	Thermal overload protector (TOP) wired internally
Protection class	I (if protective earth is connected by customer)
Product conforming to standard	EN 60335-1; CE
Approval	CCC

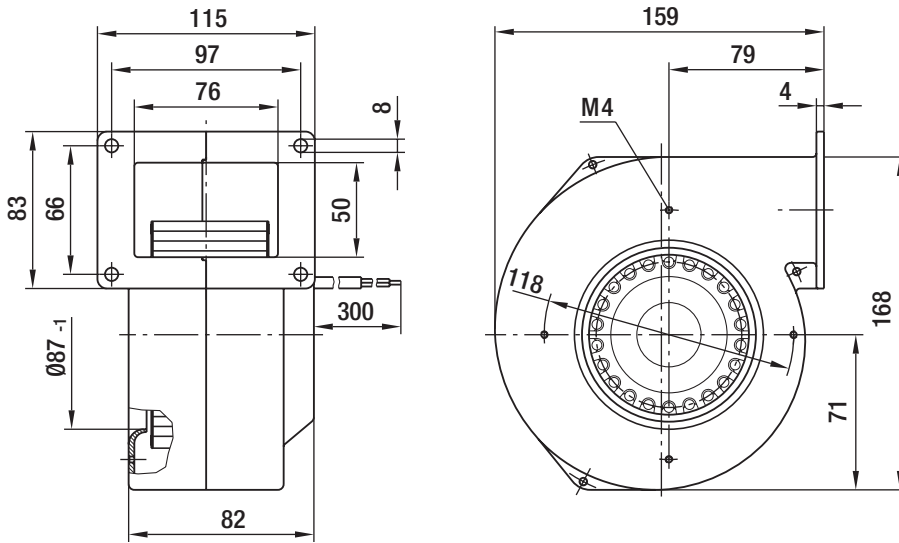


AC centrifugal fan

forward curved, single inlet

with housing (flange), for solid fuel heating systems

Product drawing



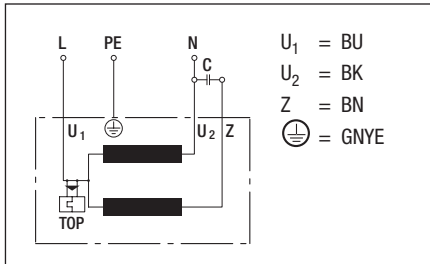
G2E108-AG63-01

AC centrifugal fan

forward curved, single inlet

with housing (flange), for solid fuel heating systems

Connection screen

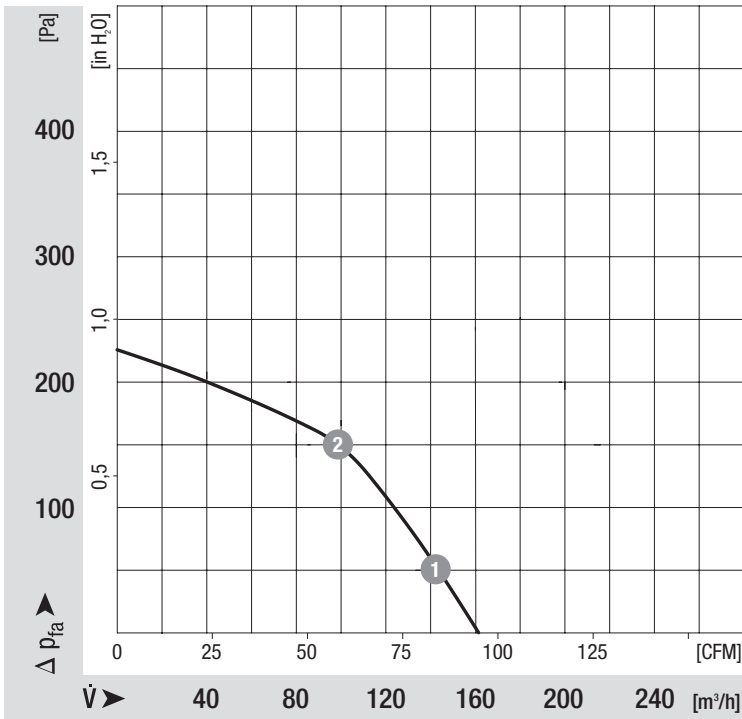


AC centrifugal fan

forward curved, single inlet

with housing (flange), for solid fuel heating systems

Charts: Air flow 50 Hz



Measured values

	n	P _e	I
	min ⁻¹	W	A
1	2070	34	0.16
2	2470	31	0.15

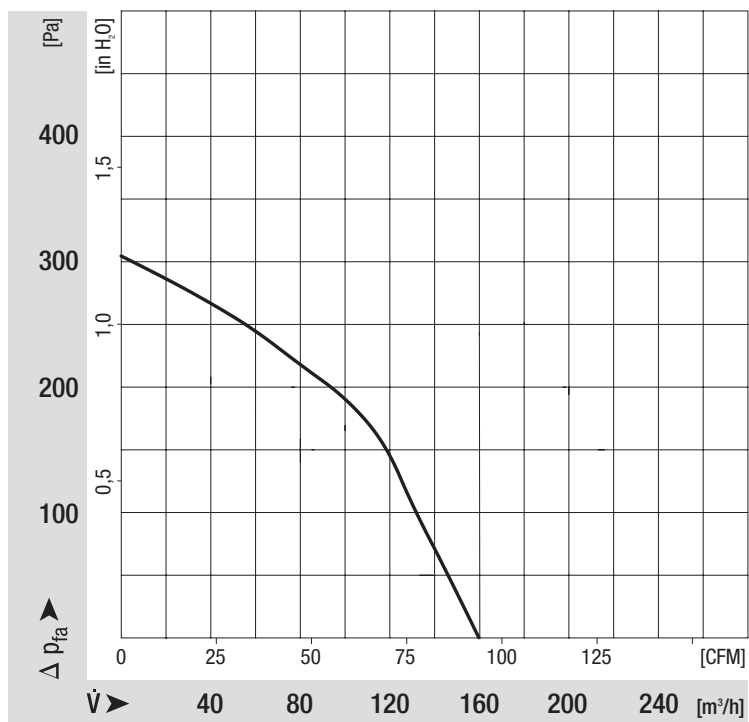


AC centrifugal fan

forward curved, single inlet

with housing (flange), for solid fuel heating systems

Charts: Air flow 60 Hz



Mouser Electronics

Authorized Distributor

Click to View Pricing, Inventory, Delivery & Lifecycle Information:

[ebm-papst:](#)

[G2E108-AG63-01](#)