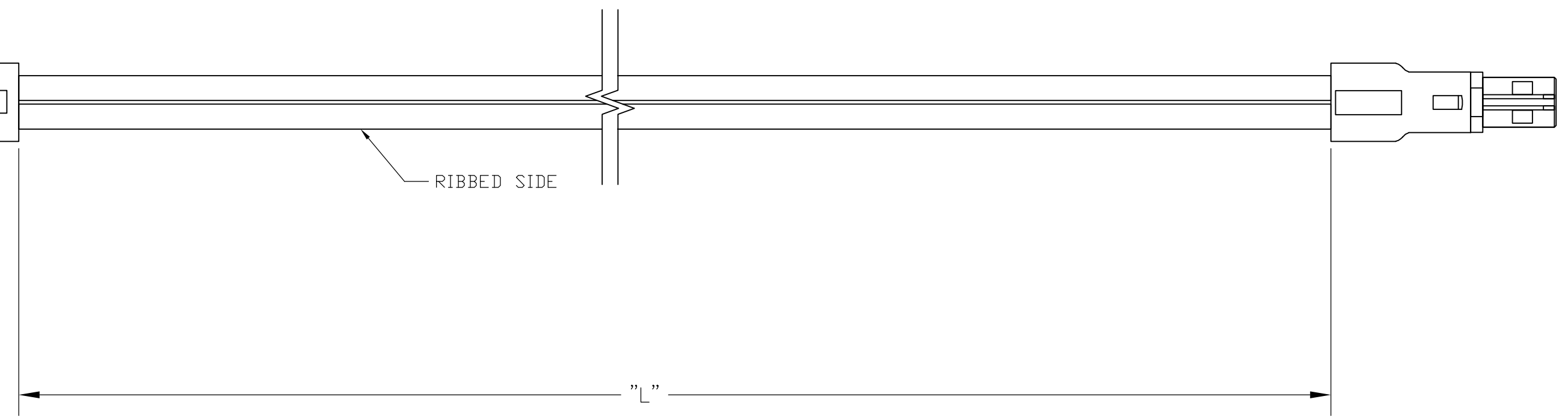
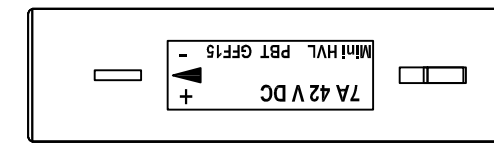
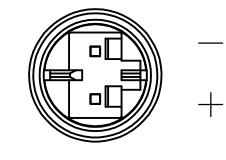


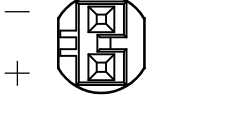
THIS DRAWING IS UNPUBLISHED. RELEASED FOR PUBLICATION
 © COPYRIGHT - By - ALL RIGHTS RESERVED.

LOC	DIST	REVISIONS					
GP	00	P	LTR	DESCRIPTION	DATE	DWN	APVD
		A		INITIAL RELEASE	01/AUG/11	ECC	PB

LV-2



LV-2

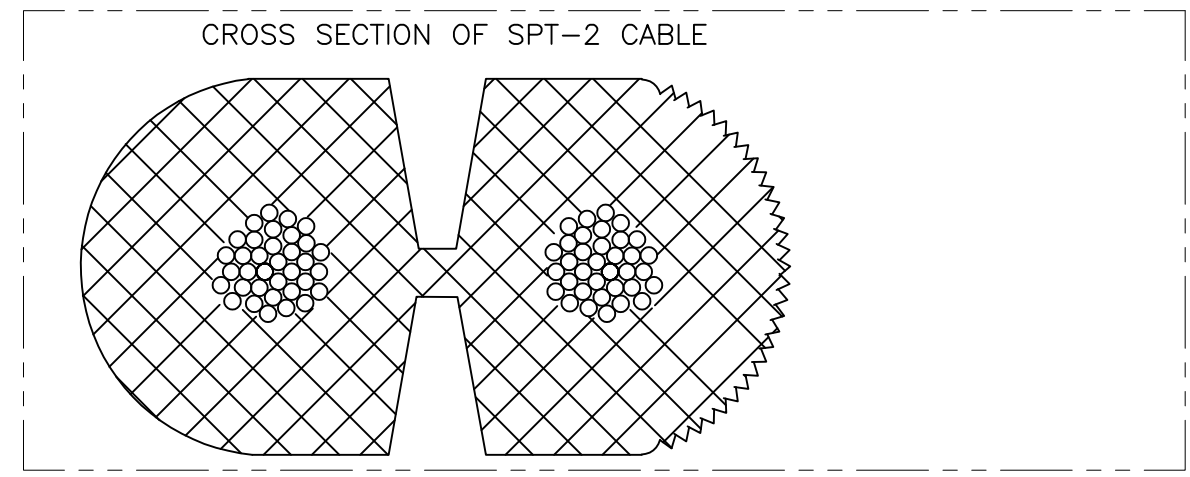


1. PACKAGING ACC. TO TE SPEC.107-18032
BUNDLE EVERY 25 ASSEMBLIES WITH A RUBBER BAND
2. ELECTRICAL TEST CONTAINING "SHORT CIRCUIT TEST, CONTINUITY AND ACCURATE CAVITY ASSIGNMENT TEST" ACC. TO TE-SPEC.108-18857, SUBSECTION 3.1.1

3 WIRING SCHEDULE AS SHOWN

WIRING SCHEDULE 3			
OUTLET		SIDE	PLUG
1	+	RIBBED	1
2	-	SMOOTH	2

16.0 FT	±3.84	2181192-8
14.0 FT	±3.36	2181192-7
12.0 FT	±2.88	2181192-6
10.0 FT	±2.4	2181192-5
8.0 FT	±1.92	2181192-4
6.0 FT	±1.44	2181192-3
4.0 FT	±.96	2181192-2
2.0 FT	±.48	2181192-1
"L"	TOLERANCES [INCHES]	TE P/N



THIS DRAWING IS A CONTROLLED DOCUMENT.

DWN E.C. CLAYBAUGH 16/JUN/11		TE Connectivity	
CHK P. BECKER 13/JUL/11		NAME	
APVD P. BECKER 01/AUG/11		CABLE ASSEMBLY, NECTOR, LV-2, OUTLET TO PLUG	
PRODUCT SPEC		-	
APPLICATION SPEC	SIZE	CAGE CODE	DRAWING NO
WEIGHT	A2	00779	C-2181192
CUSTOMER DRAWING	SCALE	N.T.S.	SHEET 1 of 1

Mouser Electronics

Authorized Distributor

Click to View Pricing, Inventory, Delivery & Lifecycle Information:

[TE Connectivity:](#)

[2181192-1](#)