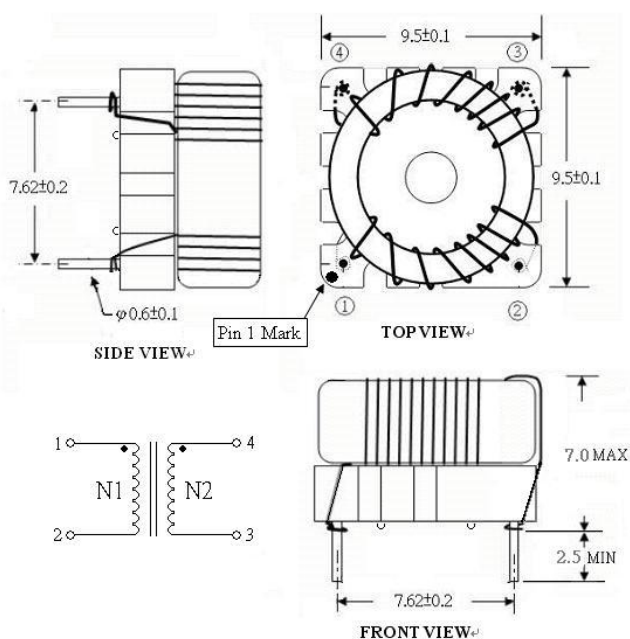
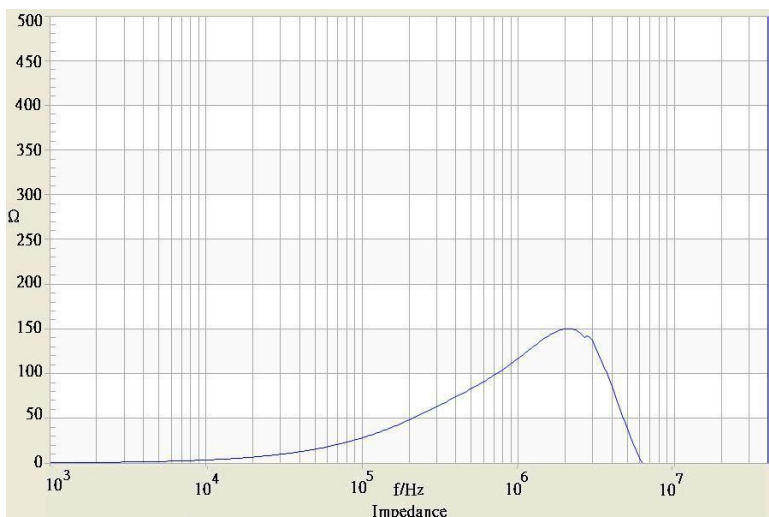


Common mode choke

Order code	TCK-075
Inductance	Pin 1-2: 33.3 μ H \pm 25% (at 10 kHz / 50 mV) Pin 3-4: 33.3 μ H \pm 25% (at 10 kHz / 50 mV)
Rated current	4.0 A max.
DCR	Pin 1-2: 8.5 m Ω Pin 3-4: 8.5 m Ω
Rated voltage	500 VDC
Operating temperature	-40 to +105°C

Impedance curve



Mouser Electronics

Authorized Distributor

Click to View Pricing, Inventory, Delivery & Lifecycle Information:

[TRACO Power:](#)

[TCK-075](#)