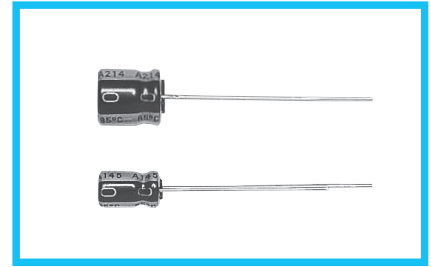
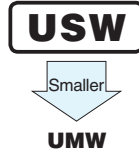


USW 7mmL, For Audio Equipment



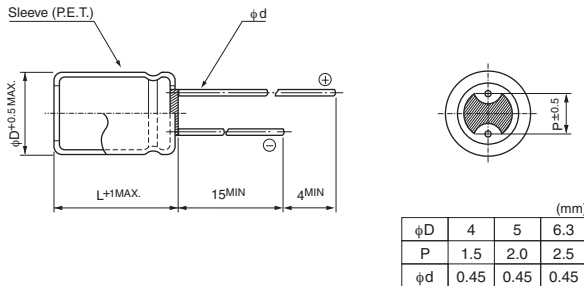
- Acoustic series, with 7mm height.
- Compliant to the RoHS directive (2011/65/EU).



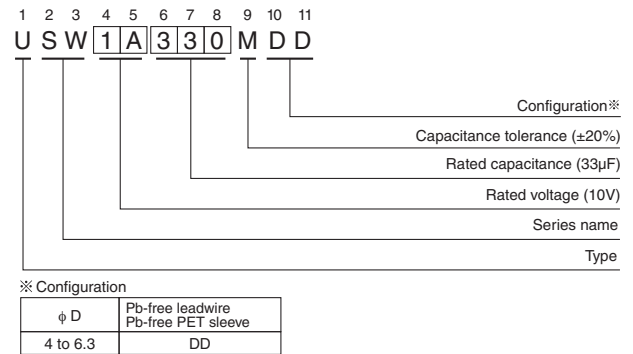
Specifications

Item	Performance Characteristics						
Category Temperature Range	-40 to +85°C						
Rated Voltage Range	6.3 to 50V						
Rated Capacitance Range	1 to 220μF						
Capacitance Tolerance	±20% at 120Hz, 20°C						
Leakage Current	After 2 minutes' application of rated voltage at 20°C, leakage current is not more than 0.01CV or 3 (μA), whichever is greater.						
Tangent of loss angle (tan δ)	Measurement frequency : 120Hz at 20°C						
	Rated voltage (V)	6.3	10	16	25	35	50
Stability at Low Temperature	Measurement frequency : 120Hz						
	Rated voltage (V)	6.3	10	16	25	35	50
	Impedance ratio Z-25°C / Z+20°C	4	3	2	2	2	2
Endurance	The specifications listed at right shall be met when the capacitors are restored to 20°C after the rated voltage is applied for 1000 hours at 85°C.						
	Capacitance change	Within ±20% of the initial capacitance value					
Shelf Life	After storing the capacitors under no load at 85°C for 1000 hours and then performing voltage treatment based on JIS C 5101-4 clause 4.1 at 20°C, they shall meet the specified values for the endurance characteristics listed above.						
	Leakage current	200% or less than the initial specified value					
Marking	Printed with black color letter on gold sleeve.						

Radial Lead Type



Type numbering system (Example : 10V 33μF)



Dimensions

Cap.(μF)	Code	6.3		10		16		25		35		50	
		0J		1A		1C		1E		1V		1H	
1	010											4 × 7	10
2.2	2R2											4 × 7	19
3.3	3R3											4 × 7	24
4.7	4R7											4 × 7	28
10	100					4 × 7	28	4 × 7	28	4 × 7	24	4 × 7	38
22	220	4 × 7	34	4 × 7	35	4 × 7	39	5 × 7	48	5 × 7	52	6.3 × 7	58
33	330	4 × 7	40	4 × 7	43	5 × 7	55	5 × 7	58	6.3 × 7	65		
47	470	4 × 7	48	5 × 7	59	5 × 7	65	6.3 × 7	71				
100	101	5 × 7	78	6.3 × 7	87	6.3 × 7	98						
220	221	6.3 × 7	120									Case size φD × L (mm)	Rated ripple

Frequency coefficient of rated ripple current

Frequency	50Hz	120Hz	300Hz	1kHz	10kHz or more
Coefficient	0.70	1.00	1.17	1.36	1.50

Rated ripple current (mArms) at 85°C 120Hz

Please refer to page 20, 21, 22 about the formed or taped product spec.
Please refer to page 4 for the minimum order quantity.

Mouser Electronics

Authorized Distributor

Click to View Pricing, Inventory, Delivery & Lifecycle Information:

Nichicon:

[USW0J101MDD](#) [USW0J220MDD](#) [USW0J221MDD](#) [USW0J330MDD](#) [USW0J470MDD](#) [USW1A101MDD](#)
[USW1A220MDD](#) [USW1A330MDD](#) [USW1A470MDD](#) [USW1C100MDD](#) [USW1C101MDD](#) [USW1C220MDD](#)
[USW1C330MDD](#) [USW1C470MDD](#) [USW1E100MDD](#) [USW1E220MDD](#) [USW1E330MDD](#) [USW1E470MDD](#)
[USW1H010MDD](#) [USW1H100MDD](#) [USW1H220MDD](#) [USW1H2R2MDD](#) [USW1H3R3MDD](#) [USW1H4R7MDD](#)
[USW1HR22MDD](#) [USW1HR33MDD](#) [USW1HR47MDD](#) [USW1V100MDD](#) [USW1V220MDD](#) [USW1V330MDD](#)
[USW1V4R7MDD](#) [USW1HOR1MDD](#) [USW1H0R1MDD](#) [USW1E470MDD1TE](#) [USW1A101MDD1TP](#)
[USW1E470MDD1TP](#) [USW1H100MDD1TE](#) [USW0J470MDD1TE](#) [USW1V220MDD1TP](#) [USW1C101MDD1TE](#)
[USW1V330MDD1TP](#) [USW1H3R3MDD1TE](#) [USW1H220MDD1TE](#) [USW0J221MDD1TP](#) [USW0J330MDD1TP](#)
[USW1H010MDD1TE](#) [USW1H220MDD1TP](#) [USW1V4R7MDD1TP](#) [USW0J220MDD1TP](#) [USW1A330MDD1TP](#)