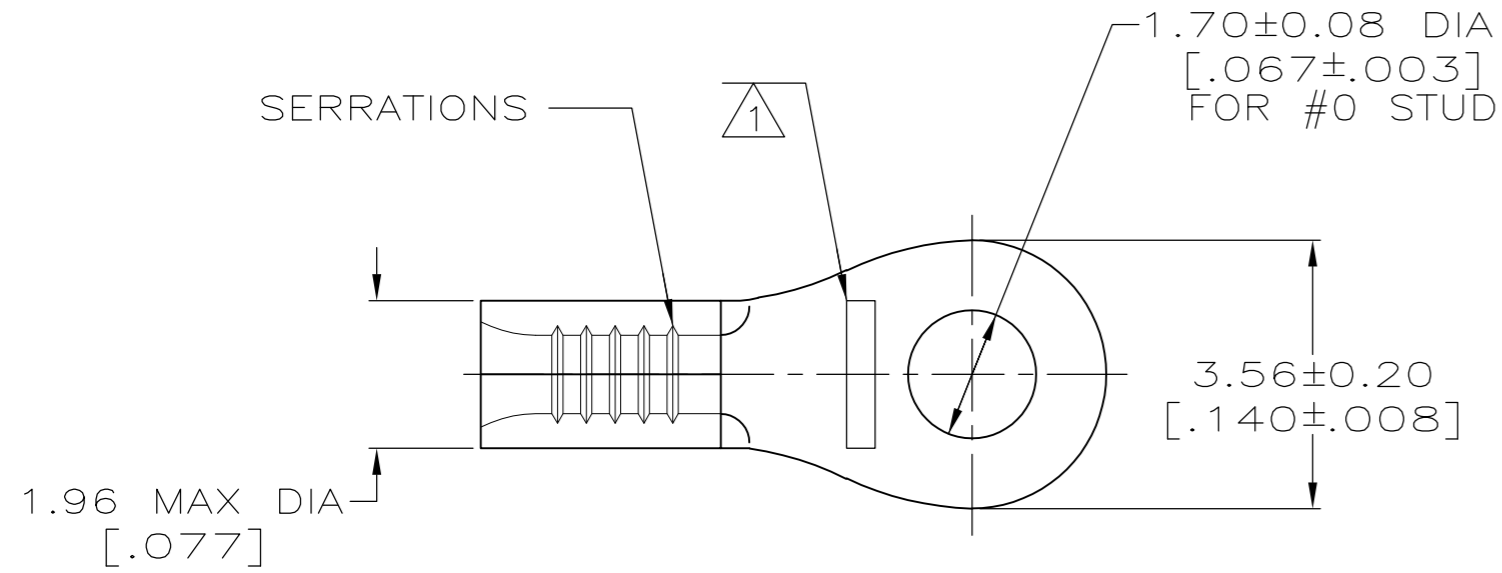


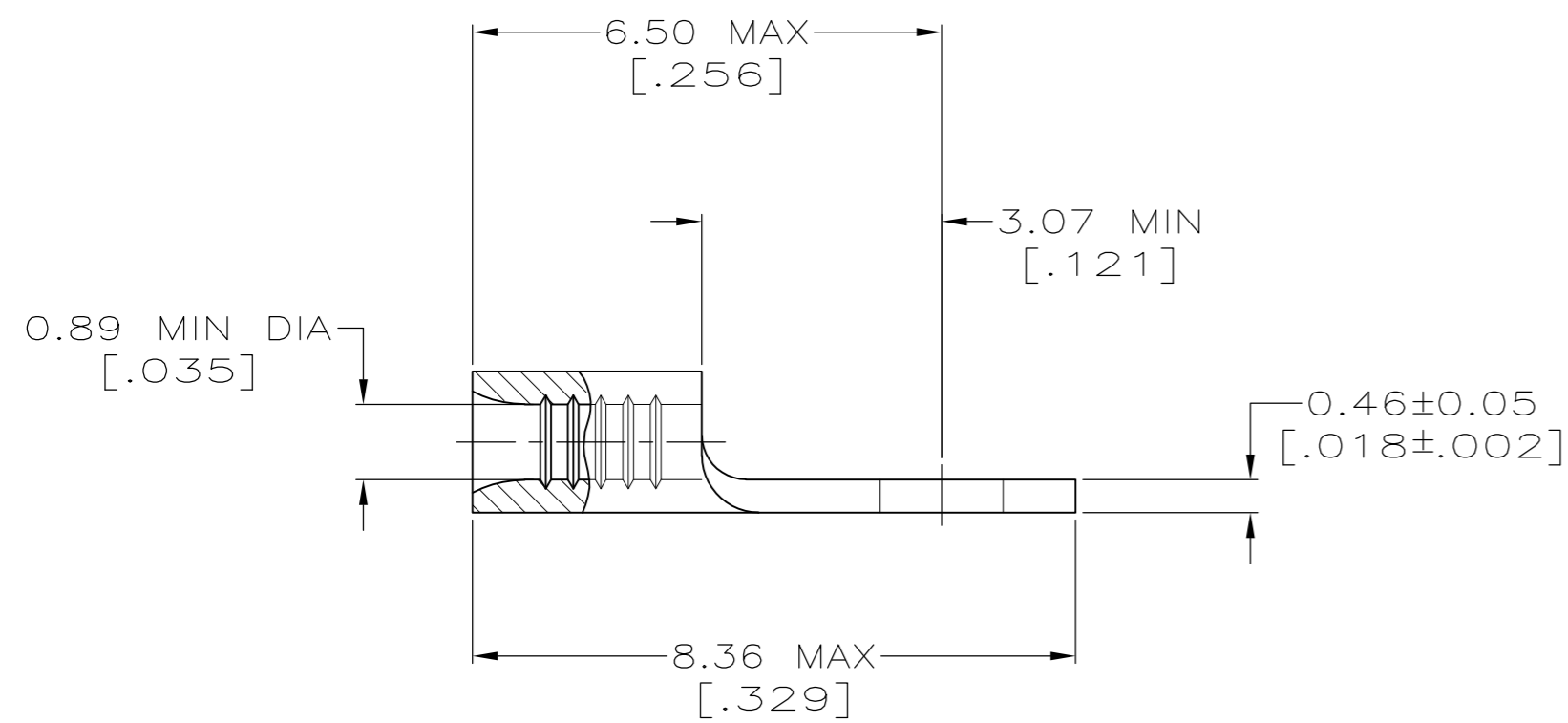
THIS DRAWING IS UNPUBLISHED. RELEASED FOR PUBLICATION  
 © COPYRIGHT - By - ALL RIGHTS RESERVED.

LOC	DIST	REVISIONS			
P	LTR	DESCRIPTION	DATE	DWN	APVD
G	14	B2	REVISED PER ECO-13-001411	25JAN13	KH DR



- 1 STAMP AMP APPROX AS SHOWN
- 2 COPPER PER ASTM B-152, ANNEALED.
- 3 0.00254 [.000100] MIN TIN PLATE PER ASTM B-545
- 4 PRELIMINARY - NOT FOR PRODUCTION
- 5 CLEANED-UNPLATED

<b>AMP</b> WIRE RANGE	Listed FILE E13288	LR7189 Certified
26-22 AWG STRANDED	NOT LISTED	NOT CERTIFIED



PRELIMINARY	FINISH	QTY	PACKAGE TYPE	PART NO
5		1000	LOOSE PIECE	31423-1
	3	5000	TAPE, REEL	2-31423-2
		1000	LOOSE PIECE	31423

**AMP INCORPORATED**  
**CUSTOMER SERVICE SYSTEMS**

FOR ADDITIONAL PRODUCT INFORMATION OR COPIES OF DRAWINGS AND TECHNICAL DOCUMENTS: PRODUCT INFORMATION CENTER 1-800-522-6752

FOR APPLICATION TOOLING INFORMATION: TOOLING ASSISTANCE CENTER 1-800-722-1111

FOR ORDER ENTRY: 1-800-526-5142

MAX RECOMMENDED OPERATING TEMPERATURE: 170°C [338°F] MAX

VOLTAGE RATING: N/A

CIRCULAR MIL AREA: 0.1-0.41mm<sup>2</sup> [202-810] STRANDED

THIS DRAWING IS A CONTROLLED DOCUMENT FOR AMP INCORPORATED. IT IS SUBJECT TO CHANGE AND THE CONTROLLING ENGINEERING ORGANIZATION SHOULD BE CONTACTED FOR THE LATEST REVISION.

THIS DRAWING IS A CONTROLLED DOCUMENT.

DIMENSIONS: INCHES

TOLERANCES UNLESS OTHERWISE SPECIFIED:

0 PLC	± -
1 PLC	± -
2 PLC	± -
3 PLC	± -
4 PLC	± -
ANGLES	± -

MATERIAL: COPPER

FINISH: SEE TABLE

2-2-93  
DWN TA BRINKMAN  
2-2-93  
CHK DA PATTERSON  
2-2-93  
APVD DE MILLER  
PRODUCT SPEC  
APPLICATION SPEC

**TE** TE Connectivity

NAME: TERMINAL, RING TONGUE, BUDGET

SIZE: A2 CAGE CODE: 00779 DRAWING NO: 31423 RESTRICTED TO: -

WEIGHT: -

CUSTOMER DRAWING SCALE: 10:1 SHEET: 1 of 1 REV: B2

# Mouser Electronics

Authorized Distributor

Click to View Pricing, Inventory, Delivery & Lifecycle Information:

[TE Connectivity:](#)

[31423](#)