

CAT93C66, CAT93W66

4 kb Microwire Serial CMOS EEPROM

Description

The CAT93C66 is a 4 kb CMOS Serial EEPROM device which is organized as either 256 registers of 16 bits (ORG pin at V_{CC}) or 512 registers of 8 bits (ORG pin at GND). The CAT93W66 features x16 memory organization only. Each register can be written (or read) serially by using the DI (or DO) pin. The device features sequential read and self-timed internal write with auto-clear. On-chip Power-On Reset circuitry protects the internal logic against powering up in the wrong state.

Features

- High Speed Operation: 2 MHz
- 1.8 V to 5.5 V Supply Voltage Range
- Selectable x8 or x16 Memory Organization: CAT93C66
- Sequential Read
- Software Write Protection
- Power-up Inadvertent Write Protection
- Low Power CMOS Technology
- 1,000,000 Program/Erase Cycles
- 100 Year Data Retention
- Industrial and Extended Temperature Ranges
- 8-lead PDIP, SOIC, TSSOP and 8-pad TDFN Packages
- These Devices are Pb-Free, Halogen Free/BFR Free, and RoHS Compliant

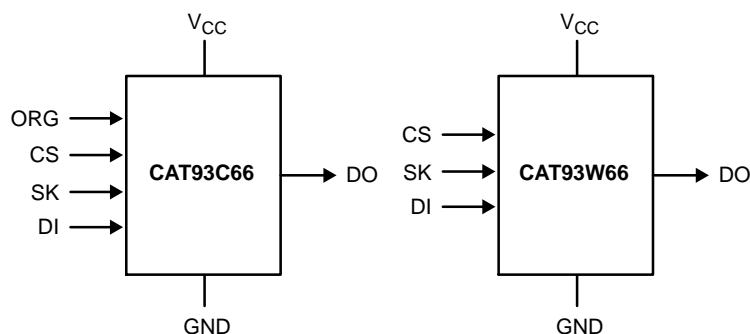


Figure 1. Functional Symbols

CAT93C66 Selectable Organization:

When the ORG pin is connected to V_{CC} , the x16 organization is selected. When it is connected to ground, the x8 organization is selected. If the ORG pin is left unconnected, then an internal pull-up device will select the x16 organization.

CAT93W66*:

The device works in x16 mode only.

*Not recommended for new designs



ON Semiconductor®

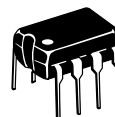
www.onsemi.com



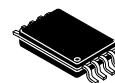
SOIC-8
V SUFFIX
CASE 751BD



TDFN-8
VP2 SUFFIX
CASE 511AK



PDIP-8
L SUFFIX
CASE 646AA



TSSOP-8
Y SUFFIX
CASE 948AL



SOIC-8
X SUFFIX
CASE 751BE

PIN CONFIGURATION

(Top View)

| | | | |
|----|---|---|----------|
| CS | 1 | 8 | V_{CC} |
| SK | 2 | 7 | NC |
| DI | 3 | 6 | ORG |
| DO | 4 | 5 | GND |

PDIP (L), SOIC (V, X),
TSSOP (Y),
TDFN (VP2)

| | | | |
|----|---|---|----------|
| CS | 1 | 8 | V_{CC} |
| SK | 2 | 7 | NC |
| DI | 3 | 6 | NC |
| DO | 4 | 5 | GND |

TDFN (VP2)
CAT93W66*

ORDERING INFORMATION

See detailed ordering and shipping information in the package dimensions section on page 13 of this data sheet.

CAT93C66, CAT93W66

Table 1. PIN FUNCTION

| Pin Name | Function | Pin Name | Function |
|----------|--------------------|-----------------|---------------------|
| CS | Chip Select | V _{CC} | Power Supply |
| SK | Clock Input | GND | Ground |
| DI | Serial Data Input | ORG (Note 1) | Memory Organization |
| DO | Serial Data Output | NC | No Connection |

1. ORG Pin available for the CAT93C66 only.

Table 2. ABSOLUTE MAXIMUM RATINGS

| Parameters | Ratings | Units |
|----------------------------------------------------|--------------|-------|
| Storage Temperature | -65 to +150 | °C |
| Voltage on Any Pin with Respect to Ground (Note 2) | -0.5 to +6.5 | V |

Stresses exceeding those listed in the Maximum Ratings table may damage the device. If any of these limits are exceeded, device functionality should not be assumed, damage may occur and reliability may be affected.

2. The DC input voltage on any pin should not be lower than -0.5 V or higher than V_{CC} + 0.5 V. During transitions, the voltage on any pin may undershoot to no less than -1.5 V or overshoot to no more than V_{CC} + 1.5 V, for periods of less than 20 ns.

Table 3. RELIABILITY CHARACTERISTICS (Note 3)

| Symbol | Parameter | Min | Units |
|---------------------------|----------------|-----------|------------------------|
| N _{END} (Note 4) | Endurance | 1,000,000 | Program / Erase Cycles |
| T _{DR} | Data Retention | 100 | Years |

3. These parameters are tested initially and after a design or process change that affects the parameter according to appropriate AEC-Q100 and JEDEC test methods.

4. Block Mode, V_{CC} = 5 V, 25°C.

Table 4. D.C. OPERATING CHARACTERISTICS

(V_{CC} = +1.8 V to +5.5 V, T_A = -40°C to +125°C unless otherwise specified.)

| Symbol | Parameter | Test Conditions | Min | Max | Units |
|------------------|-------------------------------------------|---------------------------------------------------------------------------------------|----------------------------------|-----------------------|-------|
| I _{CC1} | Power Supply Current (Write) | f _{SK} = 1 MHz, V _{CC} = 5.0 V | | 1 | mA |
| I _{CC2} | Power Supply Current (Read) | f _{SK} = 1 MHz, V _{CC} = 5.0 V | | 500 | μA |
| I _{SB1} | Power Supply Current (Standby) (x8 Mode) | V _{IN} = GND or V _{CC} , CS = GND ORG = GND | T _A = -40°C to +85°C | 2 | μA |
| | | | T _A = -40°C to +125°C | 4 | |
| I _{SB2} | Power Supply Current (Standby) (x16 Mode) | V _{IN} = GND or V _{CC} , CS = GND ORG = Float or V _{CC} | T _A = -40°C to +85°C | 1 | μA |
| | | | T _A = -40°C to +125°C | 2 | |
| I _{LI} | Input Leakage Current | V _{IN} = GND to V _{CC} | T _A = -40°C to +85°C | 1 | μA |
| | | | T _A = -40°C to +125°C | 2 | |
| I _{LO} | Output Leakage Current | V _{OUT} = GND to V _{CC} , CS = GND | T _A = -40°C to +85°C | 1 | μA |
| | | | T _A = -40°C to +125°C | 2 | |
| V _{IL1} | Input Low Voltage | 4.5 V ≤ V _{CC} < 5.5 V | -0.1 | 0.8 | V |
| V _{IH1} | Input High Voltage | 4.5 V ≤ V _{CC} < 5.5 V | 2 | V _{CC} + 1 | V |
| V _{IL2} | Input Low Voltage | 1.8 V ≤ V _{CC} < 4.5 V | 0 | V _{CC} × 0.2 | V |
| V _{IH2} | Input High Voltage | 1.8 V ≤ V _{CC} < 4.5 V | V _{CC} × 0.7 | V _{CC} + 1 | V |
| V _{OL1} | Output Low Voltage | 4.5 V ≤ V _{CC} < 5.5 V, I _{OL} = 2.1 mA | | 0.4 | V |
| V _{OH1} | Output High Voltage | 4.5 V ≤ V _{CC} < 5.5 V, I _{OH} = -400 μA | 2.4 | | V |
| V _{OL2} | Output Low Voltage | 1.8 V ≤ V _{CC} < 4.5 V, I _{OL} = 1 mA | | 0.2 | V |
| V _{OH2} | Output High Voltage | 1.8 V ≤ V _{CC} < 4.5 V, I _{OH} = -100 μA | V _{CC} - 0.2 | | V |

Product parametric performance is indicated in the Electrical Characteristics for the listed test conditions, unless otherwise noted. Product performance may not be indicated by the Electrical Characteristics if operated under different conditions.

CAT93C66, CAT93W66

Table 5. PIN CAPACITANCE ($T_A = 25^\circ\text{C}$, $f = 1.0\text{ MHz}$, $V_{CC} = +5.0\text{ V}$)

| Symbol | Test | Conditions | Min | Typ | Max | Units |
|--------------------|-------------------------------------|------------------------|-----|-----|-----|-------|
| C_{OUT} (Note 5) | Output Capacitance (DO) | $V_{OUT} = 0\text{ V}$ | | | 5 | pF |
| C_{IN} (Note 5) | Input Capacitance (CS, SK, DI, ORG) | $V_{IN} = 0\text{ V}$ | | | 5 | pF |

5. These parameters are tested initially and after a design or process change that affects the parameter according to appropriate AEC-Q100 and JEDEC test methods.

Table 6. A.C. CHARACTERISTICS

($V_{CC} = +1.8\text{ V}$ to $+5.5\text{ V}$, $T_A = -40^\circ\text{C}$ to $+125^\circ\text{C}$, unless otherwise specified.) (Note 6)

| Symbol | Parameter | Limits | | Units |
|-------------------|------------------------------|--------|------|---------------|
| | | Min | Max | |
| t_{CSS} | CS Setup Time | 50 | | ns |
| t_{CSH} | CS Hold Time | 0 | | ns |
| t_{DIS} | DI Setup Time | 100 | | ns |
| t_{DIH} | DI Hold Time | 100 | | ns |
| t_{PD1} | Output Delay to 1 | | 0.25 | μs |
| t_{PD0} | Output Delay to 0 | | 0.25 | μs |
| t_{HZ} (Note 7) | Output Delay to High-Z | | 100 | ns |
| t_{EW} | Program/Erase Pulse Width | | 5 | ms |
| t_{CSMIN} | Minimum CS Low Time | 0.25 | | μs |
| t_{SKHI} | Minimum SK High Time | 0.25 | | μs |
| t_{SKLOW} | Minimum SK Low Time | 0.25 | | μs |
| t_{SV} | Output Delay to Status Valid | | 0.25 | μs |
| SK_{MAX} | Maximum Clock Frequency | DC | 2000 | kHz |

6. Test conditions according to "A.C. Test Conditions" table.

7. These parameters are tested initially and after a design or process change that affects the parameter according to appropriate AEC-Q100 and JEDEC test methods.

Table 7. POWER-UP TIMING (Notes 8, 9)

| Symbol | Parameter | Max | Units |
|-----------|-----------------------------|-----|-------|
| t_{PUR} | Power-up to Read Operation | 1 | ms |
| t_{PUW} | Power-up to Write Operation | 1 | ms |

8. These parameters are tested initially and after a design or process change that affects the parameter according to appropriate AEC-Q100 and JEDEC test methods.

9. t_{PUR} and t_{PUW} are the delays required from the time V_{CC} is stable until the specified operation can be initiated.

CAT93C66, CAT93W66

Table 8. A.C. TEST CONDITIONS

| | | |
|---------------------------|---------------------------------------------------------------------|---------------------------------|
| Input Rise and Fall Times | ≤ 50 ns | |
| Input Pulse Voltages | 0.4 V to 2.4 V | 4.5 V ≤ V _{CC} ≤ 5.5 V |
| Timing Reference Voltages | 0.8 V, 2.0 V | 4.5 V ≤ V _{CC} ≤ 5.5 V |
| Input Pulse Voltages | 0.2 V _{CC} to 0.7 V _{CC} | 1.8 V ≤ V _{CC} ≤ 4.5 V |
| Timing Reference Voltages | 0.5 V _{CC} | 1.8 V ≤ V _{CC} ≤ 4.5 V |
| Output Load | Current Source I _{OLmax} /I _{OHmax} ; CL = 100 pF | |

Device Operation

The CAT93C66 is a 4096-bit nonvolatile memory intended for use with industry standard microprocessors. The CAT93C66 can be organized as either registers of 16 bits or 8 bits. When organized as X16, seven 11-bit instructions control the reading, writing and erase operations of the device. When organized as X8, seven 12-bit instructions control the reading, writing and erase operations of the device. The CAT93W66 works in x16 mode only. The device operates on a single power supply and will generate on chip, the high voltage required during any write operation.

Instructions, addresses, and write data are clocked into the DI pin on the rising edge of the clock (SK). The DO pin is normally in a high impedance state except when reading data from the device, or when checking the ready/busy status after a write operation. The serial communication protocol follows the timing shown in Figure 2.

The ready/busy status can be determined after the start of internal write cycle by selecting the device (CS high) and polling the DO pin; DO low indicates that the write operation is not completed, while DO high indicates that the device is ready for the next instruction. If necessary, the DO pin may be placed back into a high impedance state during chip select by shifting a dummy “1” into the DI pin. The DO pin will enter the high impedance state on the rising edge of the clock (SK). Placing the DO pin into the high impedance state is recommended in applications where the DI pin and the DO pin are to be tied together to form a common DI/O pin.

The format for all instructions sent to the device is a logical “1” start bit, a 2-bit (or 4-bit) opcode, 8-bit address (an additional bit when organized X8) and for write operations a 16-bit data field (8-bit for X8 organizations). The instruction format is shown in Instruction Set table.

Table 9. INSTRUCTION SET

| Instruction | Start Bit | Opcode | Address | | Data | | Comments |
|-------------|-----------|--------|--------------|------------|--------------|--------|-----------------------|
| | | | x8 (Note 10) | x16 | x8 (Note 10) | x16 | |
| READ | 1 | 10 | A8-A0 | A7-A0 | | | Read Address AN – A0 |
| ERASE | 1 | 11 | A8-A0 | A7-A0 | | | Clear Address AN – A0 |
| WRITE | 1 | 01 | A8-A0 | A7-A0 | D7-D0 | D15-D0 | Write Address AN – A0 |
| EWEN | 1 | 00 | 11XXXXXXXX | 11XXXXXXXX | | | Write Enable |
| EWDS | 1 | 00 | 00XXXXXXXX | 00XXXXXXXX | | | Write Disable |
| ERAL | 1 | 00 | 10XXXXXXXX | 10XXXXXXXX | | | Clear All Addresses |
| WRAL | 1 | 00 | 01XXXXXXXX | 01XXXXXXXX | D7-D0 | D15-D0 | Write All Addresses |

10. The x8 memory organization is available for the CAT93C66 only.

CAT93C66, CAT93W66

Read

Upon receiving a READ command and an address (clocked into the DI pin), the DO pin of the CAT93C66, CAT93W66 will come out of the high impedance state and, after sending an initial dummy zero bit, will begin shifting out the data addressed (MSB first). The output data bits will toggle on the rising edge of the SK clock and are stable after the specified time delay (t_{PD0} or t_{PD1}).

For the CAT93C66, CAT93W66 after the initial data word has been shifted out and CS remains asserted with the SK clock continuing to toggle, the device will automatically increment to the next address and shift out the next data word in a sequential READ mode. As long as CS is continuously asserted and SK continues to toggle, the device will keep incrementing to the next address automatically until it reaches to the end of the address space, then loops back to address 0. In the sequential READ mode, only the initial data word is preceded by a dummy zero bit. All subsequent data

words will follow without a dummy zero bit. The READ instruction timing is illustrated in Figure 3.

Erase/Write Enable and Disable

The device powers up in the write disable state. Any writing after power-up or after an EWDS (erase/write disable) instruction must first be preceded by the EWEN (erase/write enable) instruction. Once the write instruction is enabled, it will remain enabled until power to the device is removed, or the EWDS instruction is sent. The EWDS instruction can be used to disable all CAT93C66, CAT93W66 write and erase instructions, and will prevent any accidental writing or clearing of the device. Data can be read normally from the device regardless of the write enable/disable status. The EWEN and EWDS instructions timing is shown in Figure 4.

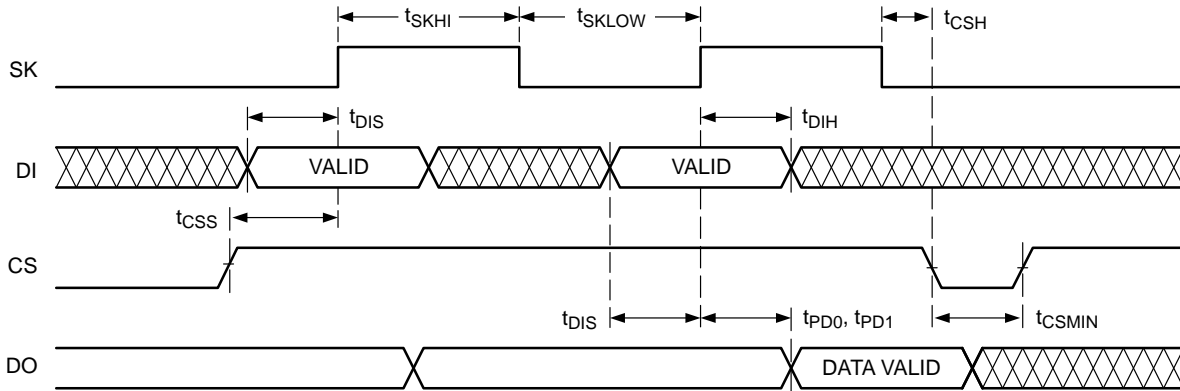


Figure 2. Synchronous Data Timing

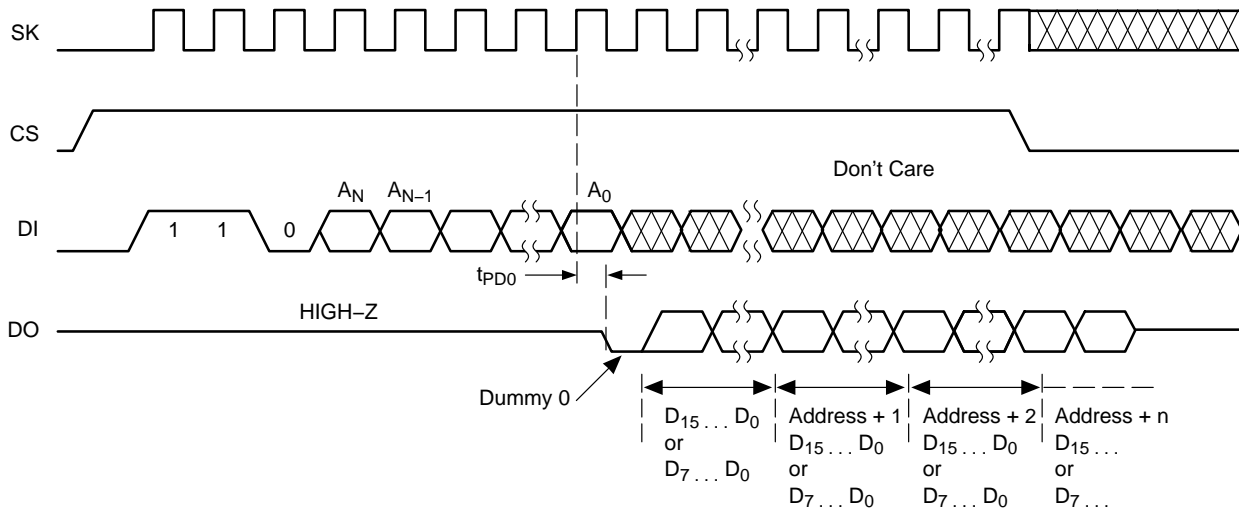


Figure 3. READ Instruction Timing

CAT93C66, CAT93W66

Write

After receiving a WRITE command (Figure 5), address and the data, the CS (Chip Select) pin must be deselected for a minimum of t_{CSMIN} . The falling edge of CS will start the self clocking clear and data store cycle of the memory location specified in the instruction. The clocking of the SK pin is not necessary after the device has entered the self clocking mode. The ready/busy status of the CAT93C66, CAT93W66 can be determined by selecting the device and polling the DO pin. Since this device features Auto-Clear before write, it is NOT necessary to erase a memory location before it is written into.

Erase

Upon receiving an ERASE command and address, the CS (Chip Select) pin must be deasserted for a minimum of t_{CSMIN} (Figure 6). The falling edge of CS will start the self clocking clear cycle of the selected memory location. The clocking of the SK pin is not necessary after the device has entered the self clocking mode. The ready/busy status of the CAT93C66, CAT93W66 can be determined by selecting the device and polling the DO pin. Once cleared, the content of a cleared location returns to a logical "1" state.

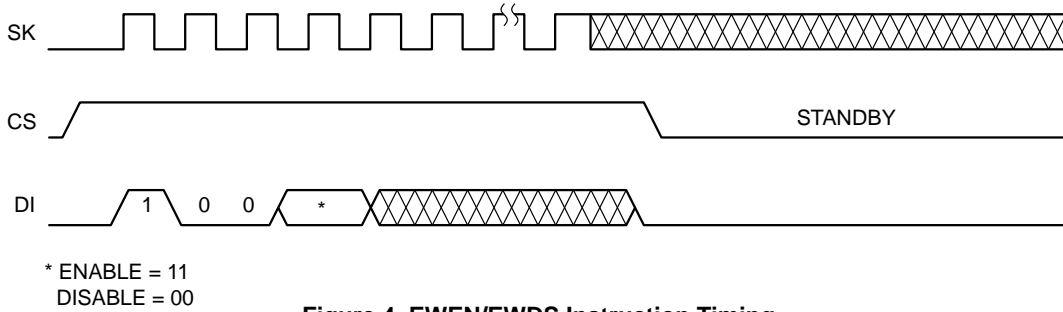


Figure 4. EWEN/EWDS Instruction Timing

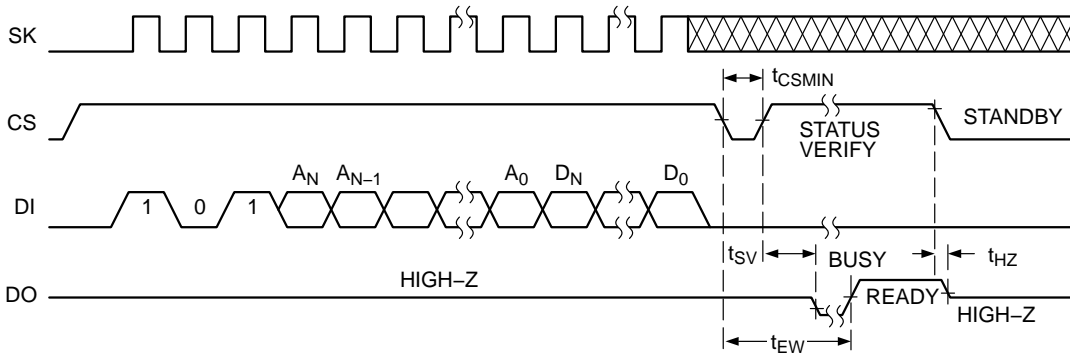


Figure 5. Write Instruction Timing

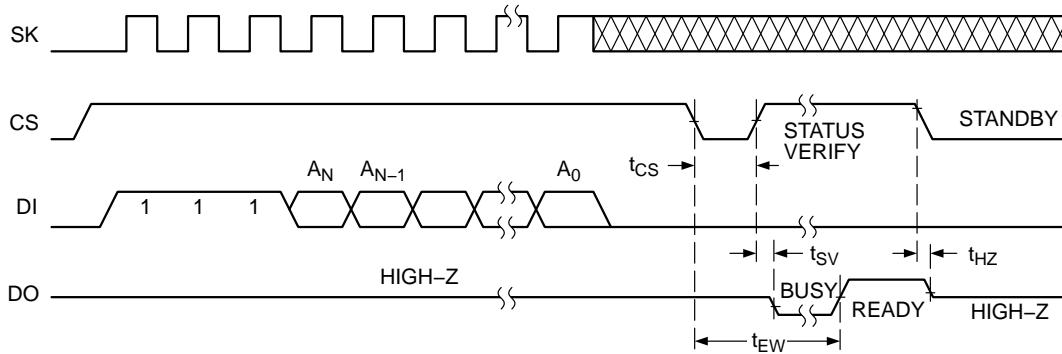


Figure 6. Erase Instruction Timing

CAT93C66, CAT93W66

Erase All

Upon receiving an ERAL command (Figure 7), the CS (Chip Select) pin must be deselected for a minimum of t_{CSMIN} . The falling edge of CS will start the self clocking clear cycle of all memory locations in the device. The clocking of the SK pin is not necessary after the device has entered the self clocking mode. The ready/busy status of the device can be determined by selecting the device and polling the DO pin. Once cleared, the contents of all memory bits return to a logical "1" state.

Write All

Upon receiving a WRAL command and data, the CS (Chip Select) pin must be deselected for a minimum of t_{CSMIN} (Figure 8). The falling edge of CS will start the self clocking data write to all memory locations in the device. The clocking of the SK pin is not necessary after the device has entered the self clocking mode. The ready/busy status of the device can be determined by selecting the device and polling the DO pin. It is not necessary for all memory locations to be cleared before the WRAL command is executed.

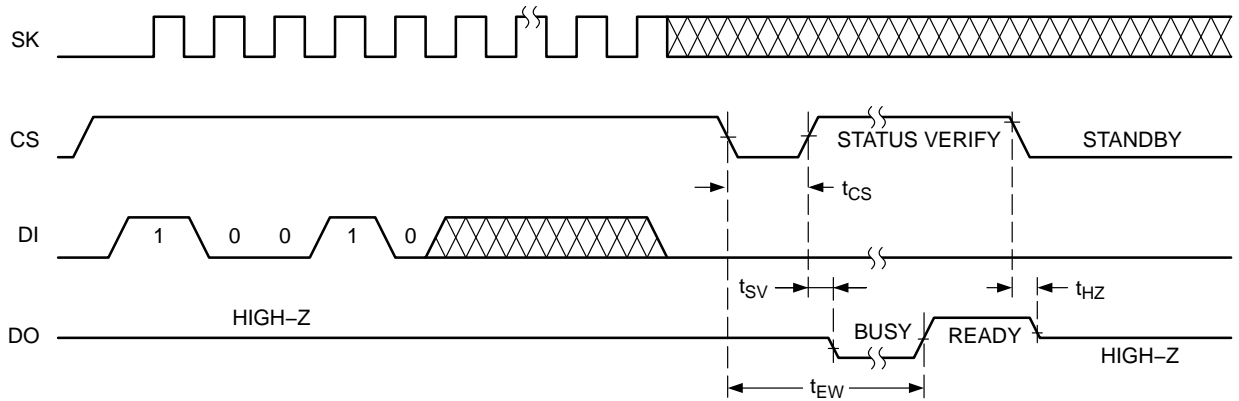


Figure 7. ERAL Instruction Timing

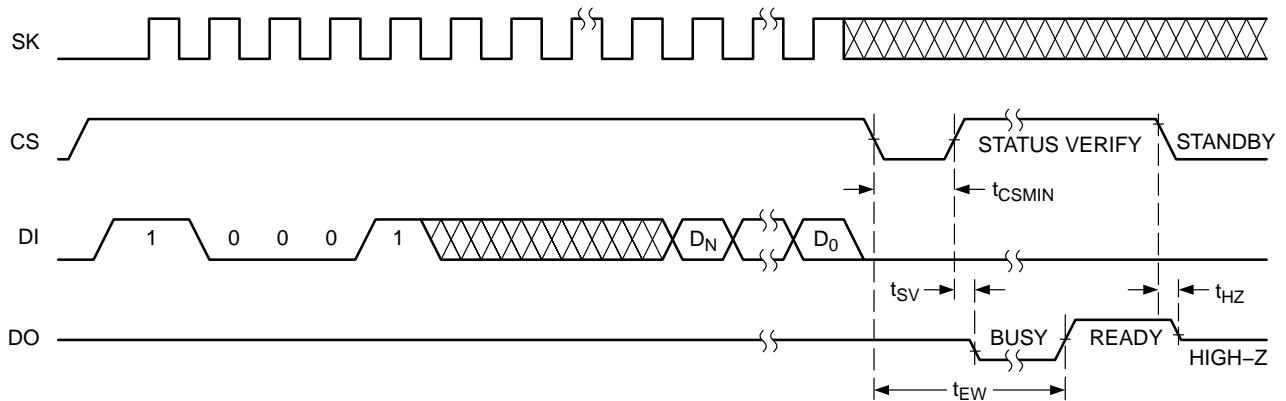
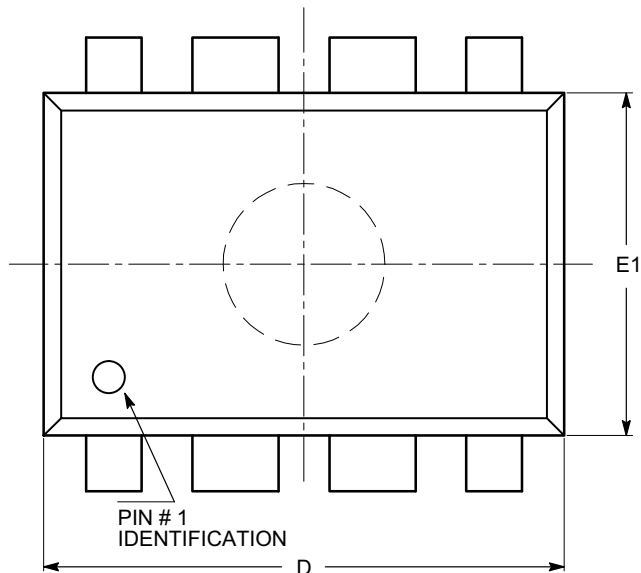


Figure 8. WRAL Instruction Timing

CAT93C66, CAT93W66

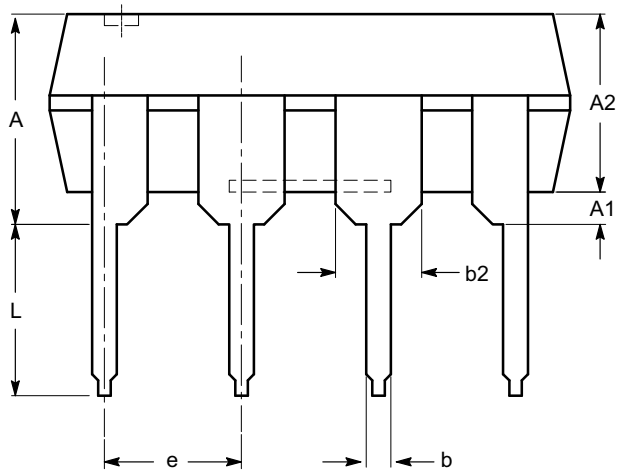
PACKAGE DIMENSIONS

PDIP-8, 300 mils
CASE 646AA-01
ISSUE A

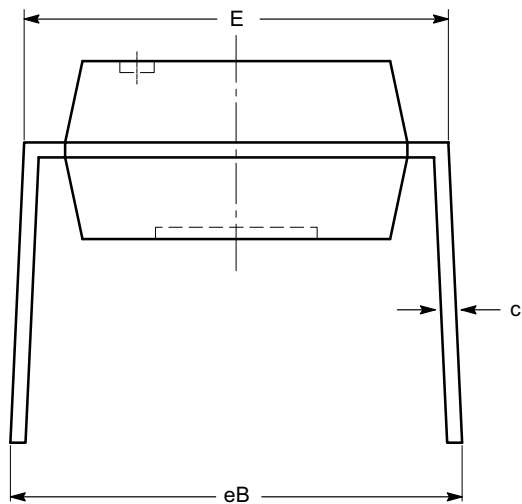


TOP VIEW

| SYMBOL | MIN | NOM | MAX |
|--------|----------|------|-------|
| A | | | 5.33 |
| A1 | 0.38 | | |
| A2 | 2.92 | 3.30 | 4.95 |
| b | 0.36 | 0.46 | 0.56 |
| b2 | 1.14 | 1.52 | 1.78 |
| c | 0.20 | 0.25 | 0.36 |
| D | 9.02 | 9.27 | 10.16 |
| E | 7.62 | 7.87 | 8.25 |
| E1 | 6.10 | 6.35 | 7.11 |
| e | 2.54 BSC | | |
| eB | 7.87 | | 10.92 |
| L | 2.92 | 3.30 | 3.80 |



SIDE VIEW



END VIEW

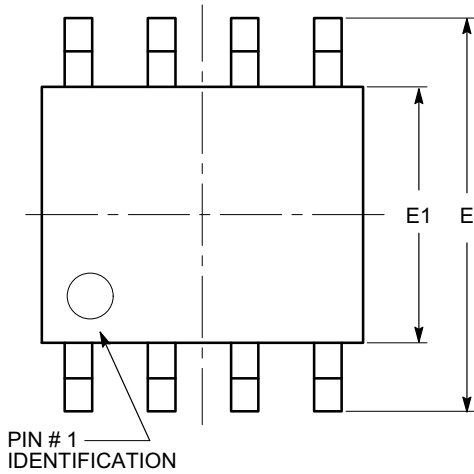
Notes:

- (1) All dimensions are in millimeters.
- (2) Complies with JEDEC MS-001.

CAT93C66, CAT93W66

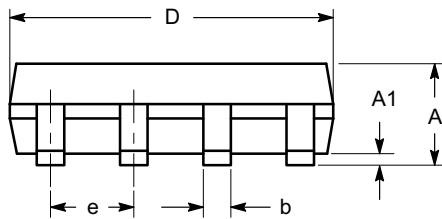
PACKAGE DIMENSIONS

SOIC 8, 150 mils
CASE 751BD-01
ISSUE O

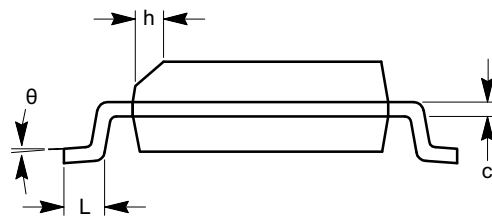


TOP VIEW

| SYMBOL | MIN | NOM | MAX |
|----------|----------|-----|------|
| A | 1.35 | | 1.75 |
| A1 | 0.10 | | 0.25 |
| b | 0.33 | | 0.51 |
| c | 0.19 | | 0.25 |
| D | 4.80 | | 5.00 |
| E | 5.80 | | 6.20 |
| E1 | 3.80 | | 4.00 |
| e | 1.27 BSC | | |
| h | 0.25 | | 0.50 |
| L | 0.40 | | 1.27 |
| θ | 0° | | 8° |



SIDE VIEW



END VIEW

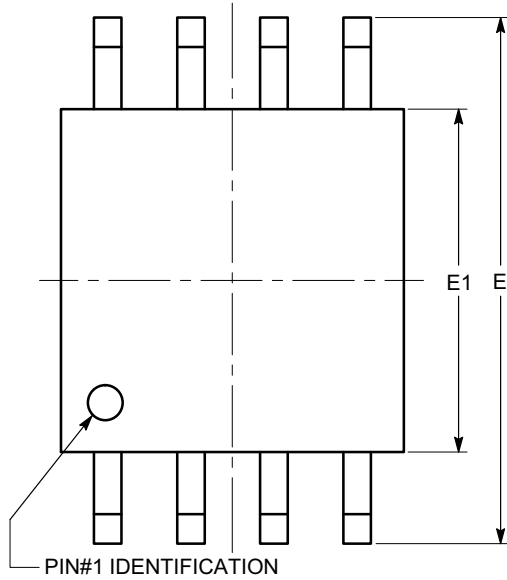
Notes:

- (1) All dimensions are in millimeters. Angles in degrees.
- (2) Complies with JEDEC MS-012.

CAT93C66, CAT93W66

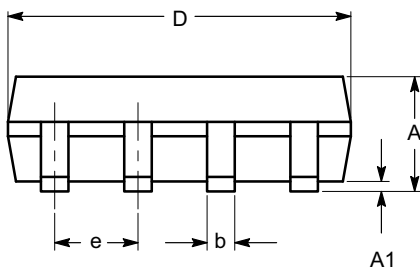
PACKAGE DIMENSIONS

SOIC-8, 208 mils
CASE 751BE-01
ISSUE O

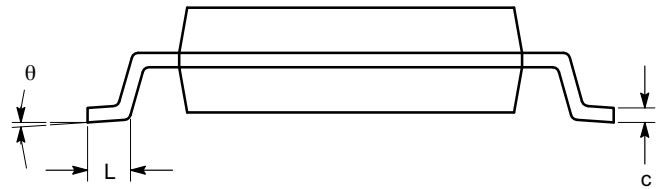


| SYMBOL | MIN | NOM | MAX |
|----------|----------|-----|------|
| A | | | 2.03 |
| A1 | 0.05 | | 0.25 |
| b | 0.36 | | 0.48 |
| c | 0.19 | | 0.25 |
| D | 5.13 | | 5.33 |
| E | 7.75 | | 8.26 |
| E1 | 5.13 | | 5.38 |
| e | 1.27 BSC | | |
| L | 0.51 | | 0.76 |
| θ | 0° | | 8° |

TOP VIEW



SIDE VIEW



END VIEW

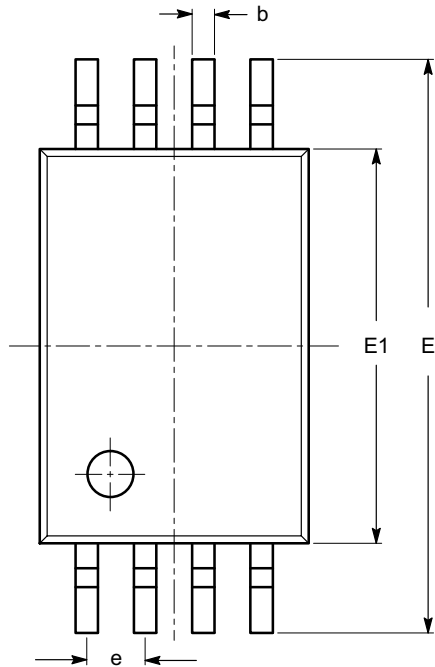
Notes:

- (1) All dimensions are in millimeters. Angles in degrees.
- (2) Complies with EIAJ EDR-7320.

CAT93C66, CAT93W66

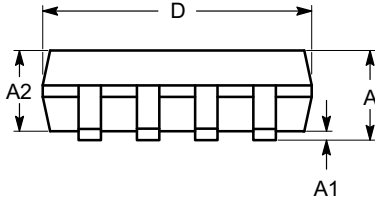
PACKAGE DIMENSIONS

TSSOP8, 4.4x3
CASE 948AL-01
ISSUE O

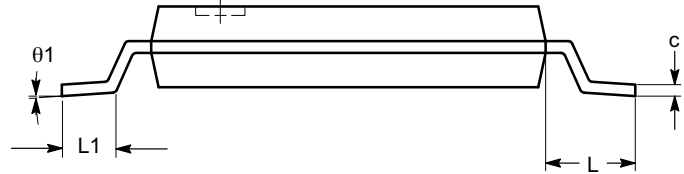


| SYMBOL | MIN | NOM | MAX |
|----------|----------|------|------|
| A | | | 1.20 |
| A1 | 0.05 | | 0.15 |
| A2 | 0.80 | 0.90 | 1.05 |
| b | 0.19 | | 0.30 |
| c | 0.09 | | 0.20 |
| D | 2.90 | 3.00 | 3.10 |
| E | 6.30 | 6.40 | 6.50 |
| E1 | 4.30 | 4.40 | 4.50 |
| e | 0.65 BSC | | |
| L | 1.00 REF | | |
| L1 | 0.50 | 0.60 | 0.75 |
| θ | 0° | | 8° |

TOP VIEW



SIDE VIEW



END VIEW

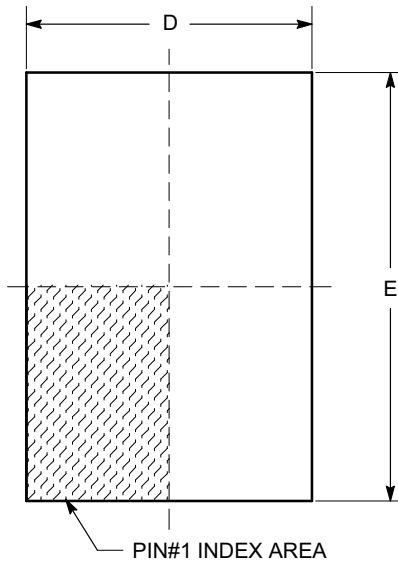
Notes:

- (1) All dimensions are in millimeters. Angles in degrees.
- (2) Complies with JEDEC MO-153.

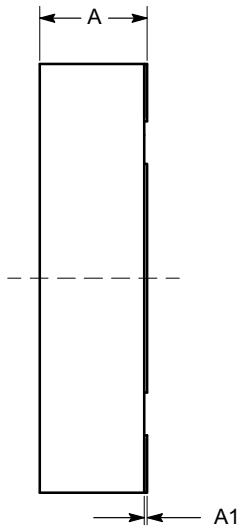
CAT93C66, CAT93W66

PACKAGE DIMENSIONS

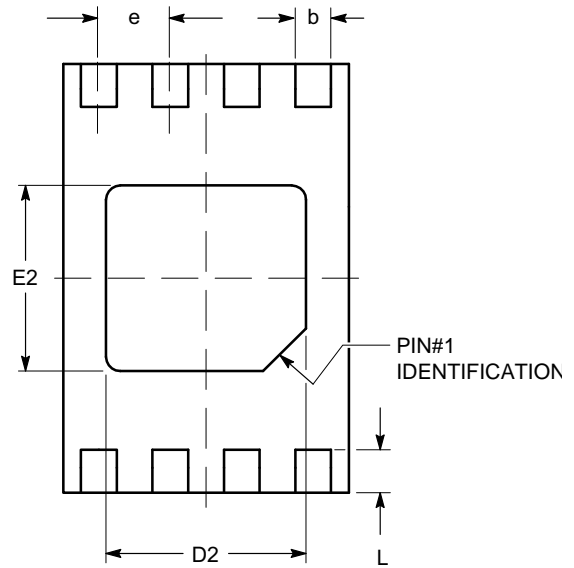
TDFN8, 2x3
CASE 511AK-01
ISSUE A



TOP VIEW

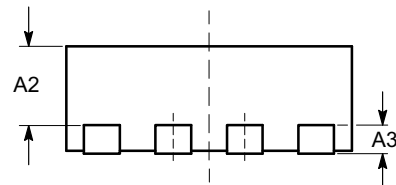


SIDE VIEW



BOTTOM VIEW

| SYMBOL | MIN | NOM | MAX |
|--------|----------|------|------|
| A | 0.70 | 0.75 | 0.80 |
| A1 | 0.00 | 0.02 | 0.05 |
| A2 | 0.45 | 0.55 | 0.65 |
| A3 | 0.20 REF | | |
| b | 0.20 | 0.25 | 0.30 |
| D | 1.90 | 2.00 | 2.10 |
| D2 | 1.30 | 1.40 | 1.50 |
| E | 2.90 | 3.00 | 3.10 |
| E2 | 1.20 | 1.30 | 1.40 |
| e | 0.50 TYP | | |
| L | 0.20 | 0.30 | 0.40 |



FRONT VIEW

Notes:

- (1) All dimensions are in millimeters.
- (2) Complies with JEDEC MO-229.

CAT93C66, CAT93W66

Table 10. ORDERING INFORMATION

| OPN | Specific Device Marking | Pkg Type | Temperature Range | Lead Finish | Shipping |
|------------------|-------------------------|---------------|---------------------------------|-------------|--------------------------------|
| CAT93C66LI-G | CSI*4G / 93C66LI | PDIP-8 | I = Industrial (-40°C to +85°C) | NiPdAu | Tube, 50 Units / Tube |
| CAT93C66VE-G | CSI*4G / 93C66VE | SOIC-8, JEDEC | E = Extended (-40°C to +125°C) | NiPdAu | Tube, 100 Units / Tube |
| CAT93C66VE-GT3 | CSI*4G / 93C66VE | SOIC-8, JEDEC | E = Extended (-40°C to +125°C) | NiPdAu | Tape & Reel, 3000 Units / Reel |
| CAT93C66VI-G | CSI*4G / 93C66VI | SOIC-8, JEDEC | I = Industrial (-40°C to +85°C) | NiPdAu | Tube, 100 Units / Tube |
| CAT93C66VI-GT3 | CSI*4G / 93C66VI | SOIC-8, JEDEC | I = Industrial (-40°C to +85°C) | NiPdAu | Tape & Reel, 3000 Units / Reel |
| CAT93C66VP2I-GT3 | FU | TDFN-8 | I = Industrial (-40°C to +85°C) | NiPdAu | Tape & Reel, 3000 Units / Reel |
| CAT93C66XI | CSI*3G / 93C66XI | SOIC-8, EIAJ | I = Industrial (-40°C to +85°C) | Matte-Tin | Tube, 94 Units / Tube |
| CAT93C66XI-T2 | CSI*3G / 93C66XI | SOIC-8, EIAJ | I = Industrial (-40°C to +85°C) | Matte-Tin | Tape & Reel, 2000 Units / Reel |
| CAT93C66YI-G | M66 | TSSOP-8 | I = Industrial (-40°C to +85°C) | NiPdAu | Tube, 100 Units / Tube |
| CAT93C66YI-GT3 | M66 | TSSOP-8 | I = Industrial (-40°C to +85°C) | NiPdAu | Tape & Reel, 3000 Units / Reel |
| CAT93W66VP2I-GT3 | M2C | TDFN-8 | I = Industrial (-40°C to +85°C) | NiPdAu | Tape & Reel, 3000 Units / Reel |


11. All packages are RoHS-compliant (Lead-free, Halogen-free).

12. The standard lead finish is NiPdAu.

13. For additional package and temperature options, please contact your nearest ON Semiconductor Sales office.

14. For information on tape and reel specifications, including part orientation and tape sizes, please refer to our Tape and Reel Packaging Specifications Brochure, BRD8011/D.

15. For detailed information and a breakdown of device nomenclature and numbering systems, please see the ON Semiconductor Device Nomenclature document, TND310/D, available at www.onsemi.com

ON Semiconductor and the  are registered trademarks of Semiconductor Components Industries, LLC (SCILLC) or its subsidiaries in the United States and/or other countries. SCILLC owns the rights to a number of patents, trademarks, copyrights, trade secrets, and other intellectual property. A listing of SCILLC's product/patent coverage may be accessed at www.onsemi.com/site/pdf/Patent-Marking.pdf. SCILLC reserves the right to make changes without further notice to any products herein. SCILLC makes no warranty, representation or guarantee regarding the suitability of its products for any particular purpose, nor does SCILLC assume any liability arising out of the application or use of any product or circuit, and specifically disclaims any and all liability, including without limitation special, consequential or incidental damages. "Typical" parameters which may be provided in SCILLC data sheets and/or specifications can and do vary in different applications and actual performance may vary over time. All operating parameters, including "Typicals" must be validated for each customer application by customer's technical experts. SCILLC does not convey any license under its patent rights nor the rights of others. SCILLC products are not designed, intended, or authorized for use as components in systems intended for surgical implant into the body, or other applications intended to support or sustain life, or for any other application in which the failure of the SCILLC product could create a situation where personal injury or death may occur. Should Buyer purchase or use SCILLC products for any such unintended or unauthorized application, Buyer shall indemnify and hold SCILLC and its officers, employees, subsidiaries, affiliates, and distributors harmless against all claims, costs, damages, and expenses, and reasonable attorney fees arising out of, directly or indirectly, any claim of personal injury or death associated with such unintended or unauthorized use, even if such claim alleges that SCILLC was negligent regarding the design or manufacture of the part. SCILLC is an Equal Opportunity/Affirmative Action Employer. This literature is subject to all applicable copyright laws and is not for resale in any manner.

PUBLICATION ORDERING INFORMATION

LITERATURE FULFILLMENT:

Literature Distribution Center for ON Semiconductor
 19521 E. 32nd Pkwy, Aurora, Colorado 80011 USA
Phone: 303-675-2175 or 800-344-3860 Toll Free USA/Canada
Fax: 303-675-2176 or 800-344-3867 Toll Free USA/Canada
Email: orderlit@onsemi.com

N. American Technical Support: 800-282-9855 Toll Free
 USA/Canada
Europe, Middle East and Africa Technical Support:
 Phone: 421 33 790 2910
Japan Customer Focus Center
 Phone: 81-3-5817-1050

ON Semiconductor Website: www.onsemi.com

Order Literature: <http://www.onsemi.com/orderlit>

For additional information, please contact your local Sales Representative

Mouser Electronics

Authorized Distributor

Click to View Pricing, Inventory, Delivery & Lifecycle Information:

[ON Semiconductor:](#)

[CAT93C66VI-G](#) [CAT93C66YI-G](#)