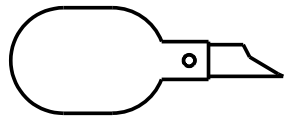
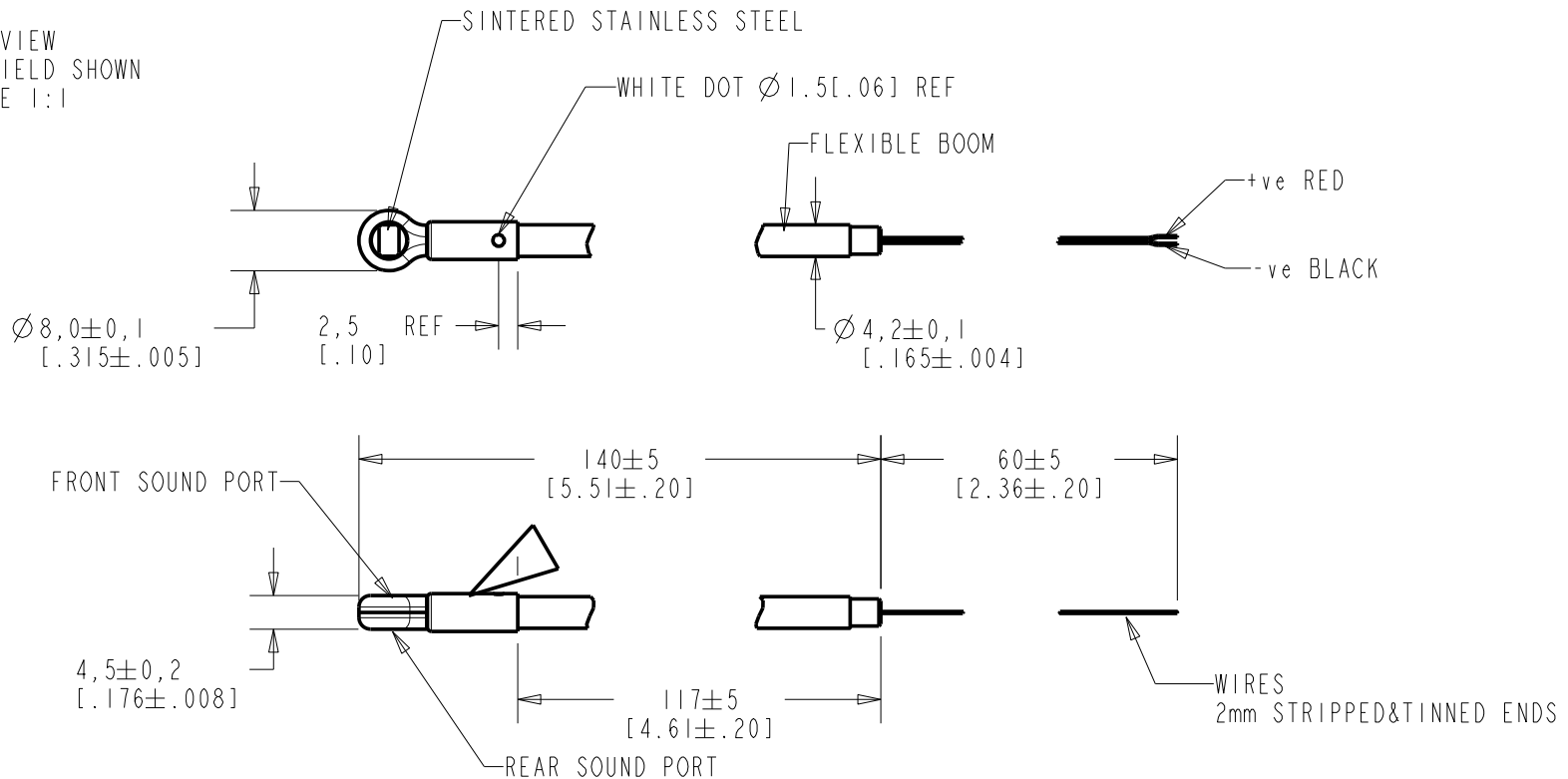


FB-DW-30294-000
SHT 1.1

THE FRONT SOUND PORT IS ADJACENT TO THE MODEL NUMBER IDENTIFICATION.



TOP VIEW
W/WINDSHIELD SHOWN
SCALE 1:1



WIRE COLOR		WEIGHT GRAMS
+ve	-ve	
RED	BLACK	13.1

DIMENSIONS IN MILLIMETERS [INCHES]

Revision	C.O. #	Implementation Date	RELEASE LEVEL	REVISION
B	C10107745	8-4-08	Active	B
A	C10107109	3-17-08		

SCALE: 1:1

DO NOT SCALE DRAWING

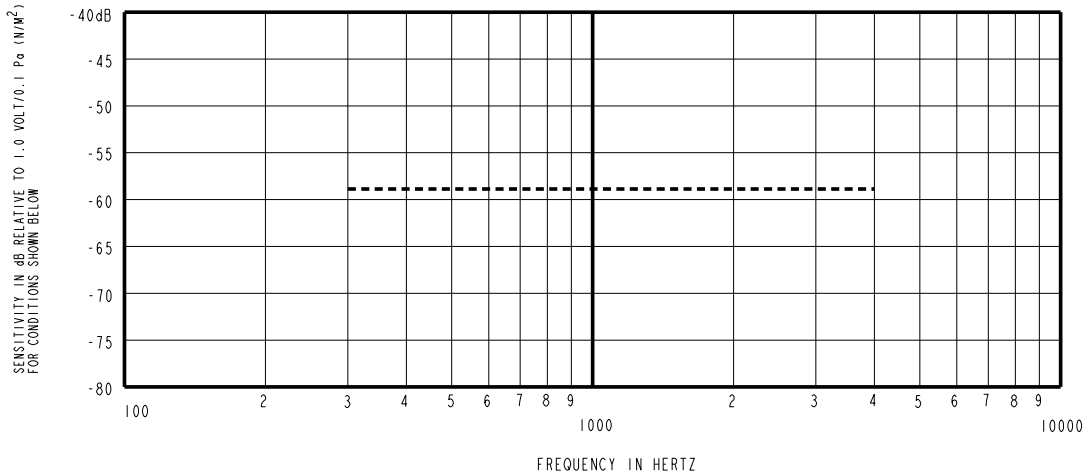
TITLE: **BOOM MICROPHONE FB-DW-30294-000**

OUTLINE DRAWING

SHT 1.1

DR. BY	DATE
TT	3-4-08
CK. BY	DATE
GJP	3-27-08
APP. BY	DATE
GJP	3-27-08

KNOWLES ELECTRONICS
ITASCA, ILLINOIS U.S.A.



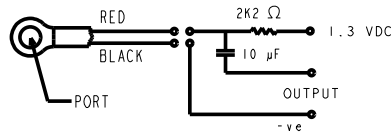
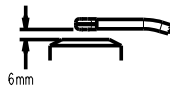
NOTES:

1. MICROPHONE TO BE FUNCTIONAL WITH 10 VDC SUPPLY.
2. SENSITIVITY VALUES INDICATED ON THIS SPECIFICATION ARE VALID AT 50% HUMIDITY.
3. SENSITIVITY

FREQUENCY	MIN	NOM	MAX
300	---	-59.0	---
1000	-62.0	-59.0	-55.0
4000	---	-59.0	---
4. TEST CONDITIONS:
 HEAD OF BOOM EXPOSED TO 74 dB SPL SWEPT SOUND FIELD AT 6mm FROM VOICE APERTURE.
 ARTIFICIAL VOICE: B & K 4227 MOUTH SIMULATOR.
5. FOR MICROPHONE CAPSULE SPEC. SEE WP-25993-D63 SHEET 2.1

DEVICE CONFORMITY RANGE OF DEVIATION FROM 1KHz

-4.0	+4.0
-0.0	+0.0
-4.0	+4.0



LEAD IDENTIFICATION & TEST CIRCUIT

Revision	C.O. #	Implementation Date	RELEASE LEVEL	REVISION
B	C10107745	8-4-08	Active	B
A	C10107109	3-17-08		

KNOWLES ELECTRONICS
 ITASCA, ILLINOIS U.S.A.

WHEN TEST LIMITS ARE USED TO ESTABLISH INCOMING INSPECTION ACCEPTANCE/REJECTION CRITERIA, CORRELATION OF TEST EQUIPMENT WITH KNOWLES IS ALSO REQUIRED FOR ELIMINATION OF EQUIPMENT AND TEST METHOD VARIATION

TITLE: **BOOM MICROPHONE** **FB-DW-30294-000**
 PERFORMANCE SPECIFICATION **SHT 2.1**

DR. BY	DATE
TT	3-4-08
CK. BY	DATE
GJP	3-27-08
APP. BY	DATE
GJP	3-27-08

Mouser Electronics

Authorized Distributor

Click to View Pricing, Inventory, Delivery & Lifecycle Information:

Knowles:

[FB-AE-30051-000](#) [FB-AE-30209-000](#) [FB-AE-30389-000](#) [FB-BW-30330-000](#) [FB-BW-30335-000](#) [FB-DE-30290-000](#)
[FB-DE-30291-000](#) [FB-DE-30292-000](#) [FB-DO-25946-000](#) [FB-DW-30293-000](#) [FB-DW-30294-000](#) [FB-DW-30295-000](#)
[FB-DW-30296-000](#) [FB-EI-30026-000](#) [FB-EI-30426-000](#) [FB-EM-30342-000](#) [FB-EM-30343-000](#) [FB-EM-30344-000](#)
[FB-EM-30345-000](#) [FB-EM-30346-000](#) [FB-EM-30347-000](#) [FB-EM-30348-000](#) [FB-EM-30349-000](#) [FB-FO-23225-000](#)
[FB-FO-25581-000](#) [FB-HO-25624-000](#) [FB-DW-23249-000](#) [FB-DO-23511-000](#) [FB-FO-25542-000](#) [FB-FO-23528-000](#)
[FB-MU-31025-000](#) [HM-31308-P137](#) [FB-FO-25383-A97](#) [FB-DR-30366-000](#) [FB-DO-32222-000](#) [FB-DW-32122-000](#)
[FB-DW-23539-000](#) [FB-MU-31024-000](#) [FB-FO-25383-000](#) [FB-DW-23794-000](#) [FB-DW-25798-000](#) [FB-LW-31458-000](#)
[FB-AW-30002-000](#) [FB-DW-23335-000](#) [FB-DO-32221-000](#) [VBU-31553-P122](#) [FB-31538-000](#) [FB-DS-25966-000](#) [FB-](#)
[EI-31878-000](#) [FB-LW-31456-000](#) [FB-DW-25989-000](#) [FB-DW-23868-000](#) [FB-DO-32103-000](#) [FB-MU-30749-000](#) [FB-](#)
[23891-000](#) [FB-CO-28515-L20](#) [FB-FO-30764-000](#) [FB-EI-31809-000](#) [FB-DW-32198-000](#)