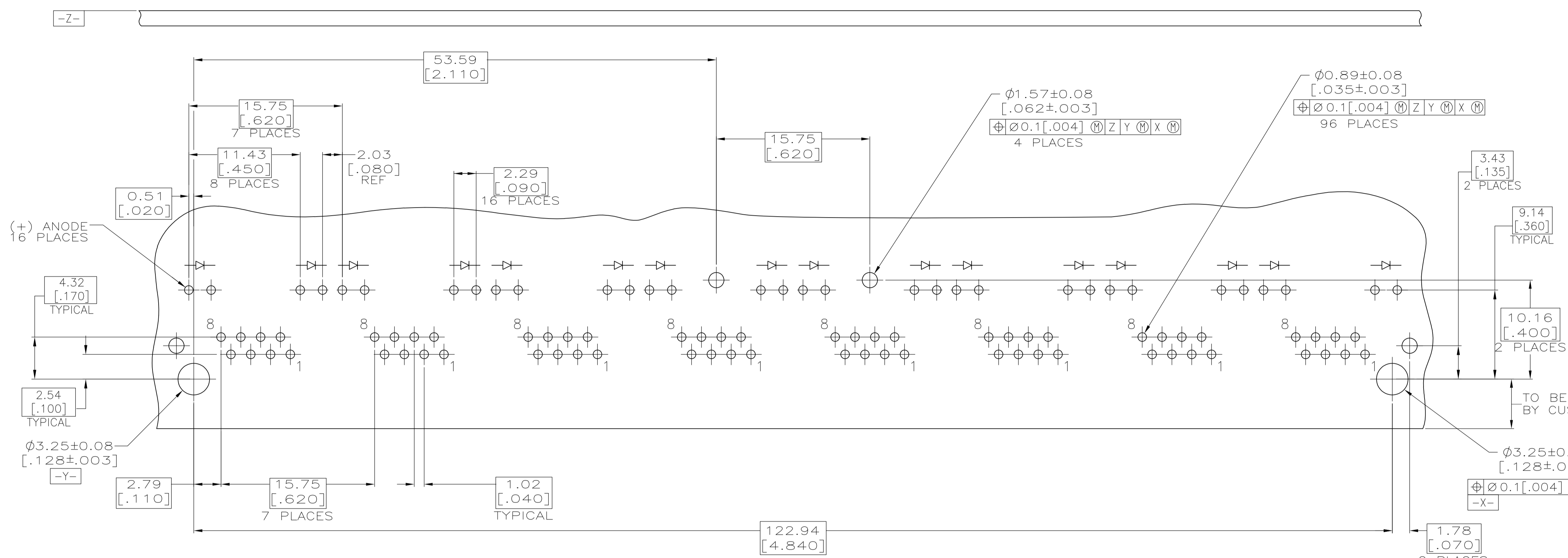


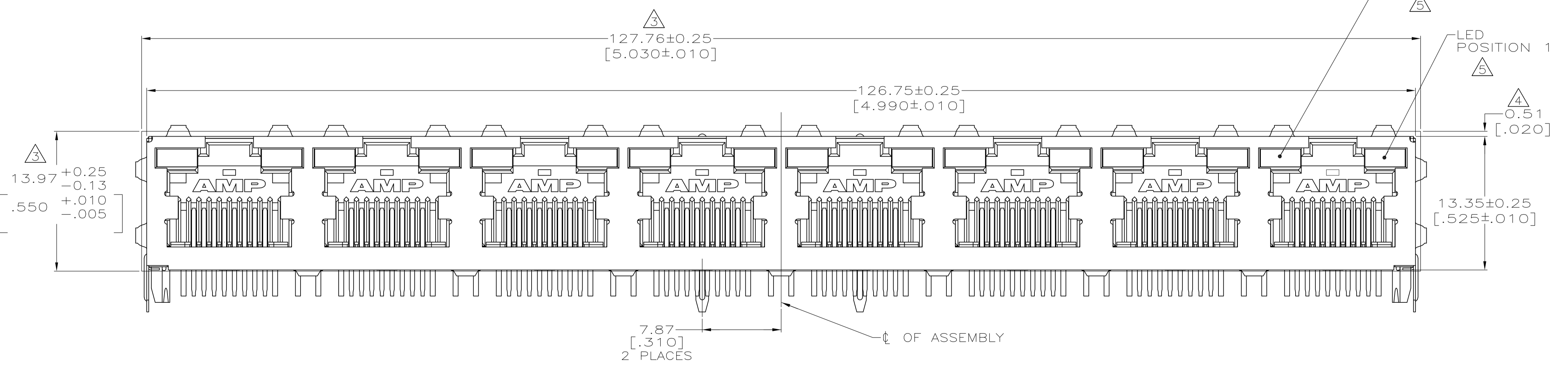
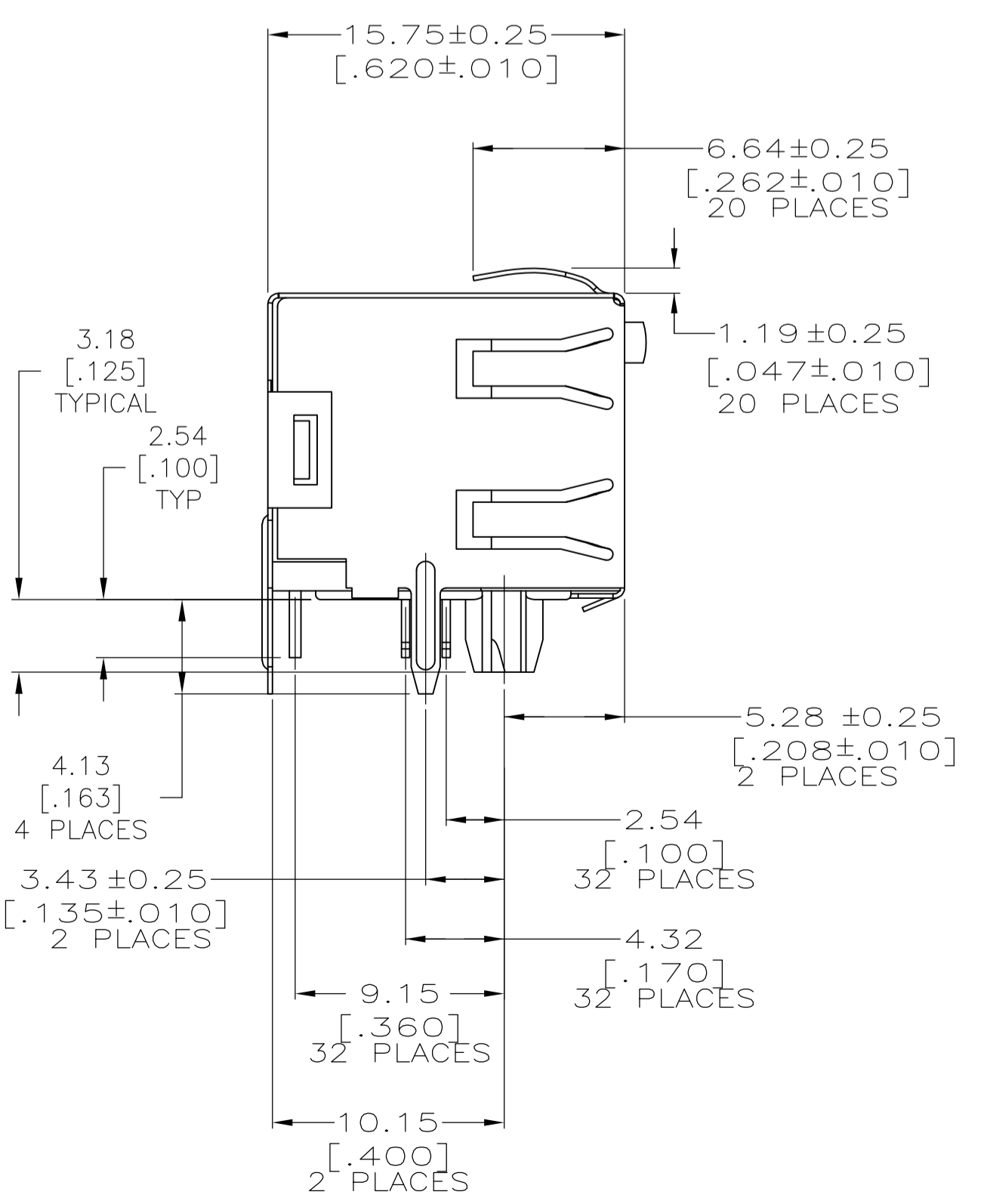
LOC	DIST	REVISIONS				
AA	00	REV	DESCRIPTION	DATE	BY	APPV
		C1	ECO-09-024927	09NOV2009	KK	AEG
		C2	REVISED PER ECO-13-014287	10SEP2013	CW	SH



- MATERIAL:**
- HOUSING - HIGH TEMPERATURE THERMOPLASTIC, BLACK, UL94V-0.
  - TERMINALS - 0.36[.014] THICK PHOS BRONZE PLATED WITH 1.27 $\mu$ m[.000050] MIN THICK HARD GOLD IN LOCALIZED AREA AND 3.81 $\mu$ m [.000150] MIN THICK MATTE TIN IN SOLDER AREA OVER 1.27 $\mu$ m[.000050] MIN THICK NICKEL UNDERPLATE.
  - SHIELD - 0.196[.0077] THICK COPPER ALLOY PREPLATED WITH 1.27 $\mu$ m[.000050] MINIMUM SATIN NICKEL WITH 2.03 $\mu$ m[.000080] MINIMUM HOT TIN DIP ON PCB GROUND TABS.
  - LIGHT EMITTING DIODE (LED) - DIFFUSED EPOXY LENS, 0.51 x 0.51[.020 x .020] CARBON STEEL WIREFRAME LEADS PREPLATED WITH 8.89 $\mu$ m [.0003500] THICK Sn/Cu OVER 2.03 $\mu$ m[.000080] THICK Ag OVER 1.02 $\mu$ m[.000040] THICK Cu 3.56 $\mu$ m[.000140] THICK Ni OVER 1.02 $\mu$ m[.000040] Cu UNDERPLATE.
- JACK CAVITY CONFORMS TO FCC RULES AND REGULATIONS PART 68, SUBPART F.
- $\Delta$  SUGGESTED PANEL OPENING DIMENSIONS.
  - $\Delta$  SUGGESTED CLEARANCE BETWEEN TOP OF CONNECTOR AND TOP PANEL OPENING.
  - $\Delta$  SEE TABLE FOR COLOR OF LEDS.
  - 6. THIS MODULAR JACK WITH INTEGRATED LED IS NOT IR REFLOW SOLDERING PROCESS COMPATIBLE.
  - $\Delta$  OBSOLETE PARTS: OBSOLETE CIS STREAMLINING PER D.RENAUD/D.SINISI



SUGGESTED PRINTED CIRCUIT BOARD LAYOUT COMPONENT SIDE



INDICATOR COLOR FOR EACH HOUSING	POSITION 2	POSITION 1	PART NUMBER
GREEN	GREEN	GREEN	5406967-8
ORANGE/GREEN	ORANGE/GREEN	ORANGE/GREEN	5406967-7
YELLOW	YELLOW	YELLOW	5406967-6
GREEN	GREEN	GREEN	5406967-5
GREEN	YELLOW	YELLOW	5406967-4
YELLOW	-	-	5406967-3
-	GREEN	GREEN	5406967-2
YELLOW	GREEN	GREEN	5406967-1

THIS DRAWING IS A CONTROLLED DOCUMENT.

DIMENSIONS: mm [INCHES]

TOLERANCES UNLESS OTHERWISE SPECIFIED:

0. PLC	±	-
1. PLC	±	-
2. PLC	±	0.25[.01]
3. PLC	±	0.13[.005]
4. PLC	±	-
ANGLES	±	-

MATERIAL: SEE NOTE 1

FINISH: SEE NOTE 1

DIN: B. LATTUCA 22SEPT05

CHK: J. WESTMAN 22SEPT05

APVD: S. FLICKINGER 22SEPT05

PRODUCT SPEC: 108-1163-4

APPLICATION SPEC: 114-2154

WEIGHT: -

CUSTOMER DRAWING

SCALE: 4:1

SHEET: 1 of 1

REV: C2

STE TE Connectivity

INVERTED MODULAR JACK ASSEMBLY, 1X8, SHIELDED, BOTTOM TAB, PANEL GROUND, LED

DRAWING NO: 5406967

# Mouser Electronics

Authorized Distributor

Click to View Pricing, Inventory, Delivery & Lifecycle Information:

[TE Connectivity:](#)

[5406967-4](#)