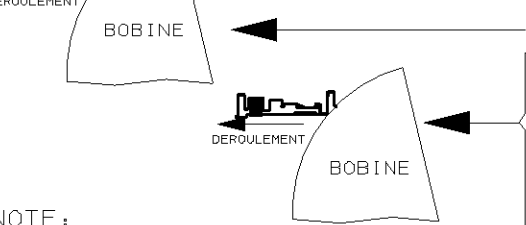
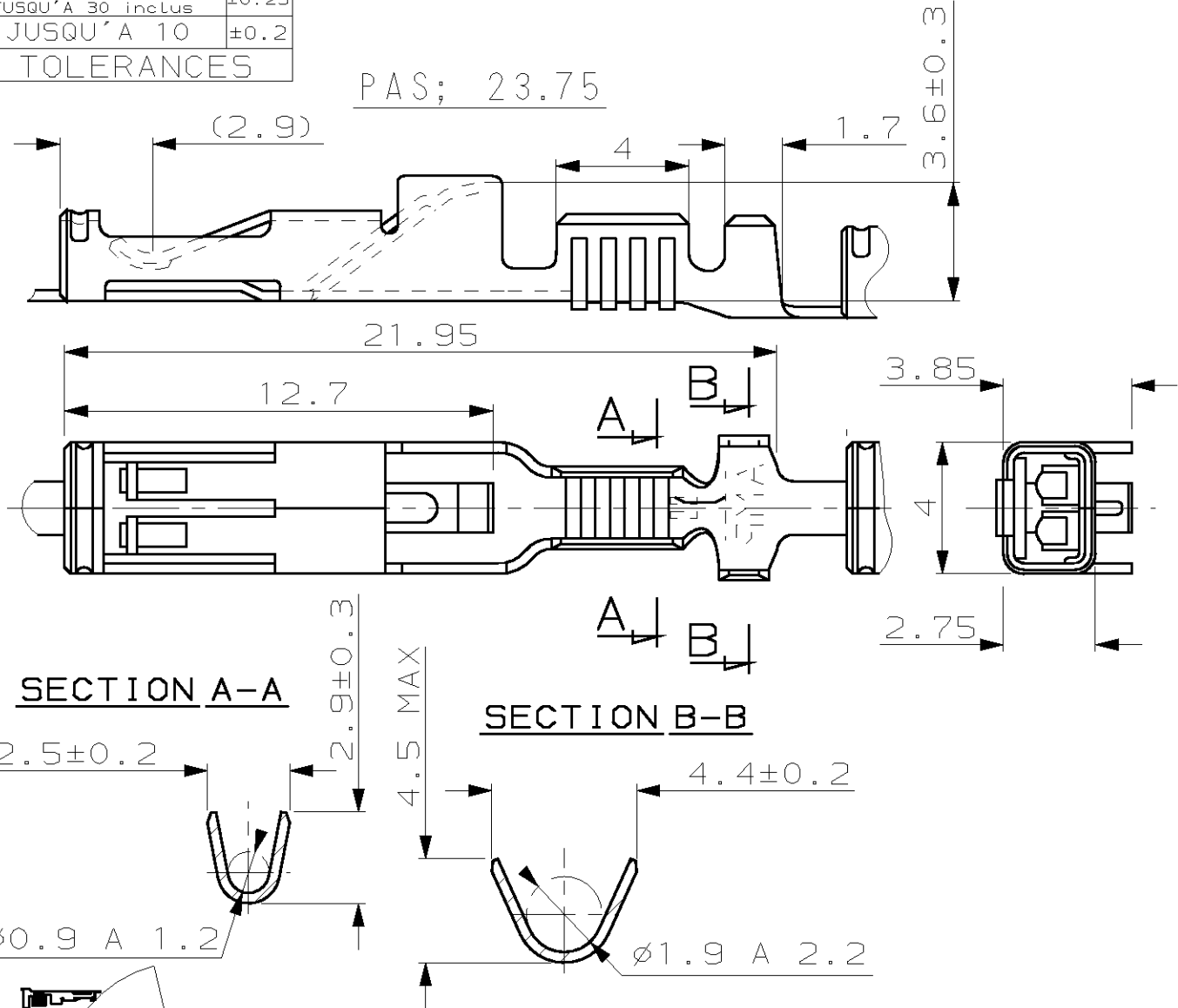


LOC F	DIST 7	REVISIONS						
P	LTR REV	DESCRIPTION MODIFICATIONS				DATE	DWN DESS.	APVD APP.
	D	PREFIXE 2 AJOUTE				28-FEB-03	RP	-
	L	PREFIXE 2 AJOUTE+INDICE REV. EC EXPRESS				12-NOV-03	RP	-

AU DELA DE 30 JUSQU'A 100 inclus	±0.3
AU DELA DE 10 JUSQU'A 30 inclus	±0.25
JUSQU'A 10	±0.2
TOLERANCES	



2-142183-1	LAITON (pre-etame)	2-142314-1
142183-5	LAITON (brut) + dorure selective sur bande	142314-5
142183-4	LAITON (brut)	142314-4
142183-3	LAITON (post-etame)	142314-3
142183-2	BRONZE (pre-etame)	142314-2
142183-1	LAITON (pre-etame)	142314-1
REF. BANDE	MATIERE	REF. VRAC

NOTE:
DIMENS. FIL: 0.35 A 1MM²
ISOLANT: 1.3±0.1 A 2±0.1

THIS DRAWING IS UNPUBLISHED.
 DIFFUSION RESEINTE AMP.
 BY TYCO ELECTRONICS CORP. ALL RIGHTS RESERVED.
 TOUS DROITS RESERVES.
 © COPYRIGHT

DIMENSIONS: mm	DWN/DESSINE Remi PATIN 28-FEB-03	MATERIAL MATIERE	FINISH FINITION
TOLERANCES UNLESS OTHERWISE SPECIFIED, TOLERANCES NON SPECIFIEES (SUIV NB DE DECIMALES):	CHK/VERIFIE JP PICAUD 28-FEB-03	TYCO ELECTRONICS FRANCE SAS BP 39, 95301 CERGY-PONTOISE CEDEX	
0 PLC/DEC: ±	APVD/APPROUVE J DAHER 28-FEB-03	NAME TITRE	
1 PLC/DEC: ±-	PRODUCT SPEC SPEC. PRODUIT	CLIP MIC 1	
2 PLC/DEC: ±	APPLICATION SPEC SPEC. APPLICATION	SIZE FORMAT	RESTRICTED TO
3 PLC/DEC: ±	WEIGHT MASSE APPROX.	CAGE CODE	
4 PLC/DEC: ±		DRAWING NO TITRE	
ANGLES ±5°		142183	
	CUSTOMER DRAWING/PLAN CLIENT		
	UNTIQUEMENT POUR REFERENCE	SCALE ECHELLE 5:1	SHEET FEUILLE 1 OF 1 DE 1
			REV L

Mouser Electronics

Authorized Distributor

Click to View Pricing, Inventory, Delivery & Lifecycle Information:

[TE Connectivity:](#)

[142183-1](#) [142183-1 \(Loose Piece\)](#)