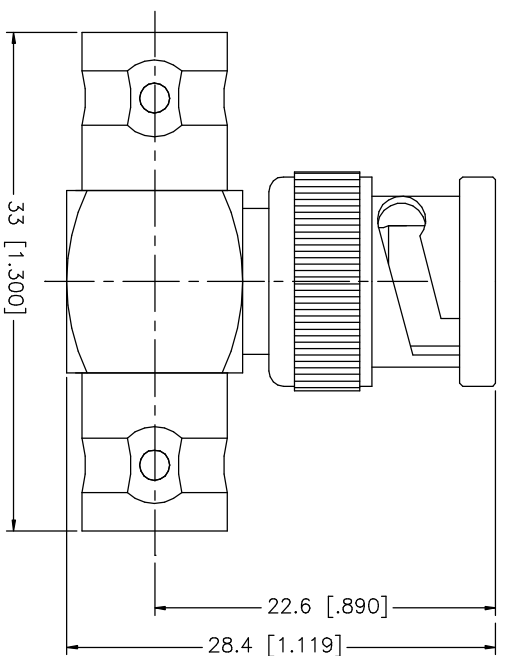


REV.	DATE	DESCRIPTION
A	06/09/03	UPDATE DRAWING FORMAT



QTY	FINISH	MATERIAL	DESCRIPTION
1	GOLD	BRASS	CONTACT PIN
1	NATURAL	DELFIN	INSULATOR
1	GOLD	BRASS	BODY
			DESCRIPTION

UNLESS OTHERWISE SPECIFIED DIMENSIONS ARE IN MILLIMETERS, DIMENSIONS IN [] ARE IN INCHES AND FOR CUSTOMER REFERENCE ONLY.	
UNLESS OTHERWISE SPECIFIED TOLERANCES FOR MILLIMETERS ARE:	
0.5 - 8mm ± 0.20mm	
8 - 30mm ± 0.40mm	
30 - 120mm ± 0.50mm	
UNLESS OTHERWISE SPECIFIED TOLERANCES FOR INCHES ARE:	
.020 - .315 = ± 0.007"	
.315 - 1.180 = ± 0.015"	
1.180 - 4.724 = ± 0.020"	
DO NOT SCALE DRAWING	

APPROVALS	DATE
DRAWN G.R.S.	06/09/03
CHECKED	
ISSUED	
SHEET 1 OF 1	

CAD FILE	DWG NO.	REV.	SIZE	SCALE
C:/112/112459.DWG	112459.DWG	A	A	NA

PART DESCRIPTION	
BNC "T" ADAPTOR / JACK-PLUG-JACK	
PART NO.	112459

Amphenol Connex

Mouser Electronics

Authorized Distributor

Click to View Pricing, Inventory, Delivery & Lifecycle Information:

[Amphenol:](#)

[112459](#)