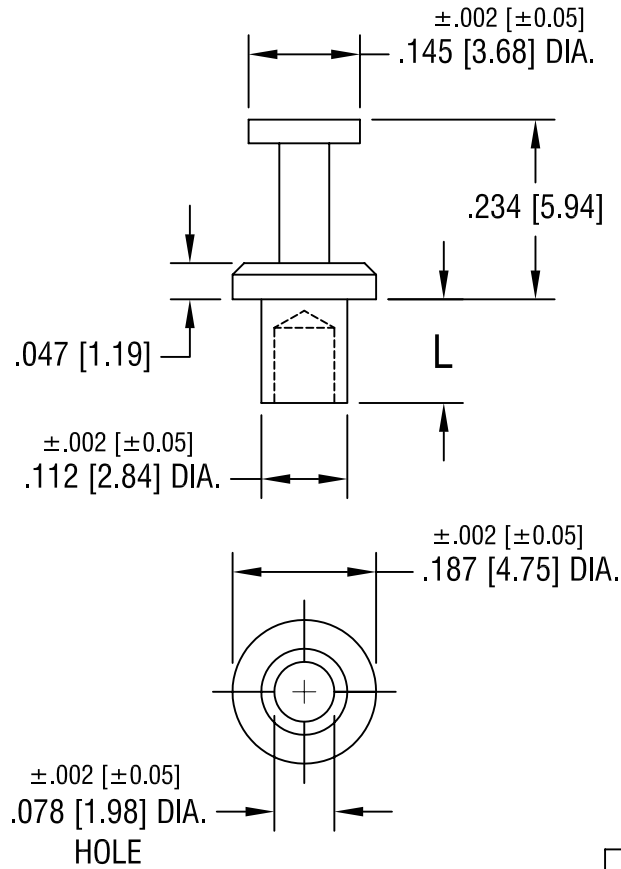


THIS DOCUMENT IS THE PROPERTY OF  
KEYSTONE ELECTRONICS CORP. AND  
SHALL NOT BE REPRODUCED, DISTRIBUTED  
OR USED AS A BASIS FOR MANUFACTURE  
WITHOUT PRIOR WRITTEN PERMISSION  
FROM KEYSTONE ELECTRONICS CORP.



PART NO.	'L' DIM.
1532-1	.074 [1.88]
1532-2	.105 [2.67]
1532-3	.135 [3.43]
1532-4	.165 [4.19]

**KEYSTONE ELECTRONICS CORP.**

ASTORIA, N.Y. 11105-2017

PART NAME

SOLDER TERMINAL, SINGLE TURRET

MATERIAL

BRASS

FINISH

TIN PLATE

DRN BY

BOONE

DATE

6.8.82

APP'D

LN

SCALE

4X

2.8.08 CHANGE AS PER ECN 08-075

B

TOLERANCES

INCH [MM]

DECIMAL ±.005 [±0.15]

CODE

C

ANGULAR ± 1°  
UNLESS OTHERWISE SPECIFIED

DWG NO.

1532-

DATE

DESCRIPTION

REV.

# Mouser Electronics

Authorized Distributor

Click to View Pricing, Inventory, Delivery & Lifecycle Information:

[Keystone Electronics:](#)

[1532-2](#)