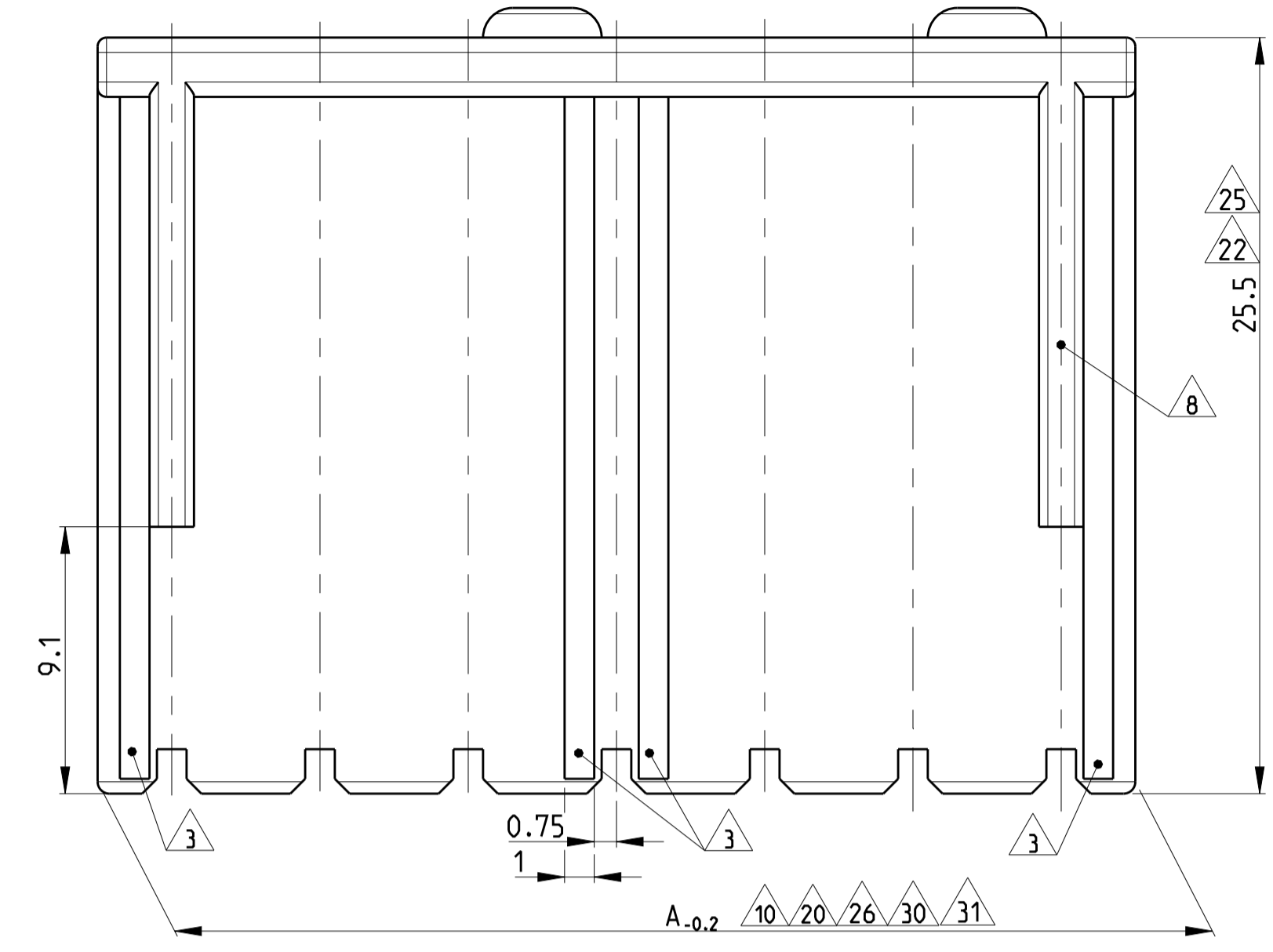
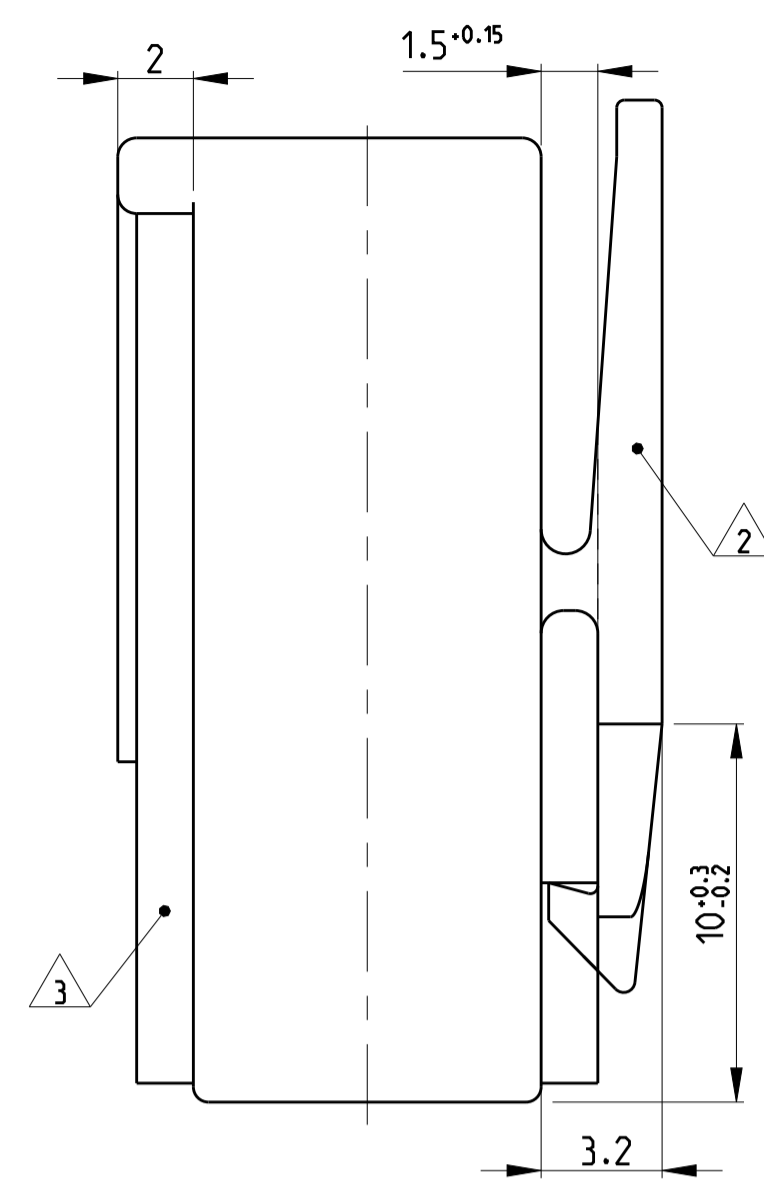
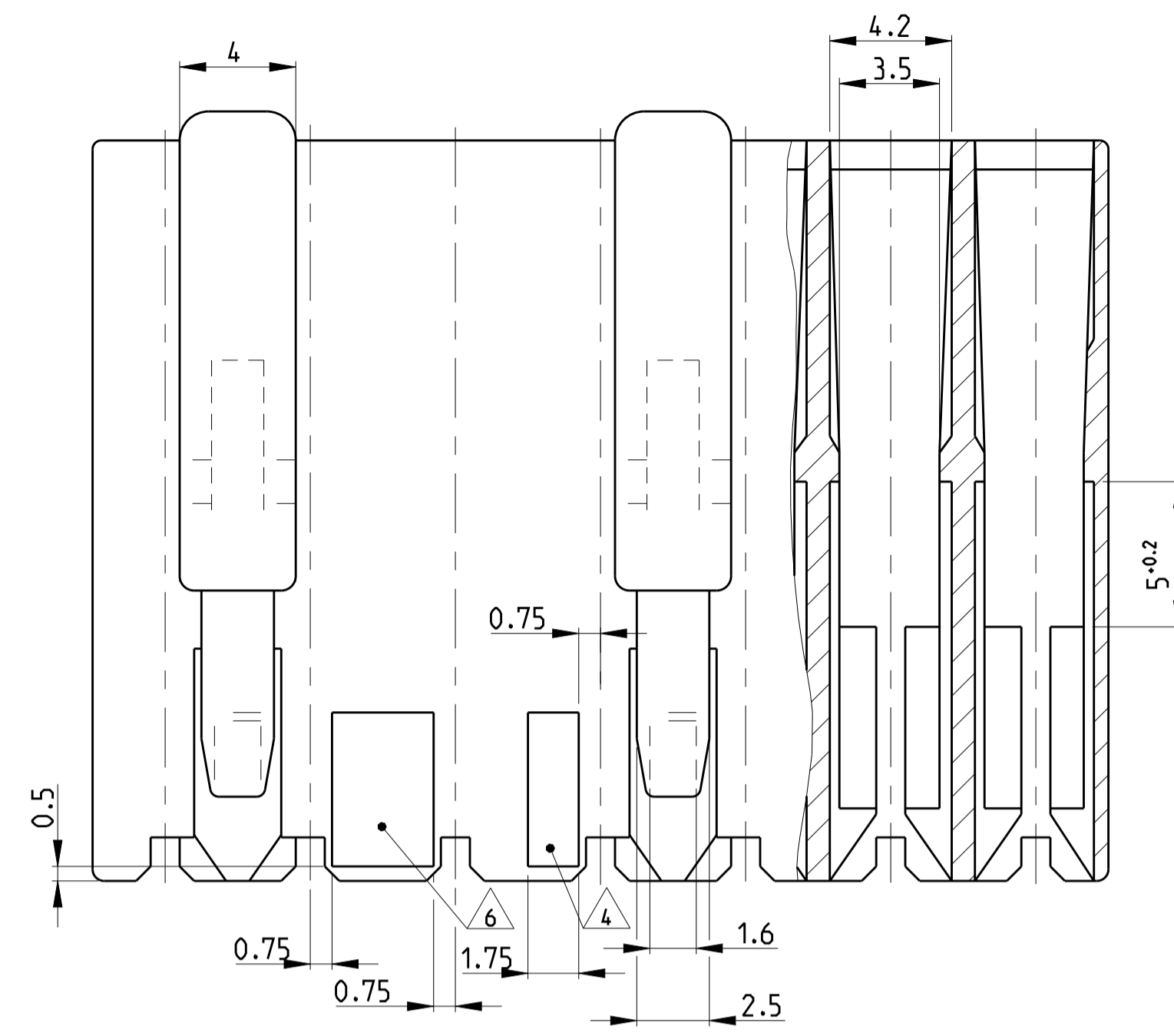
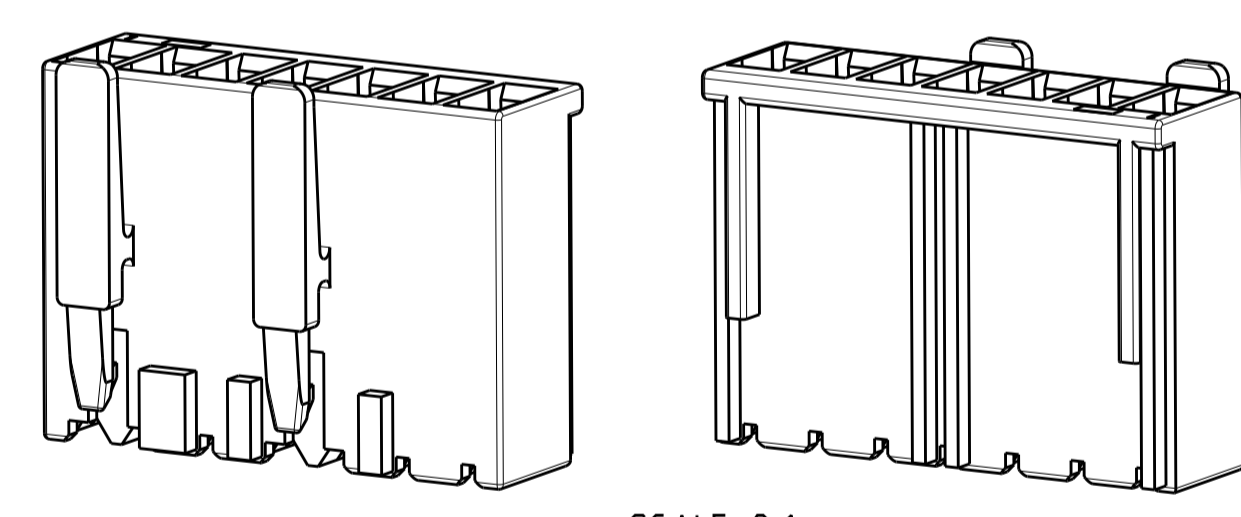
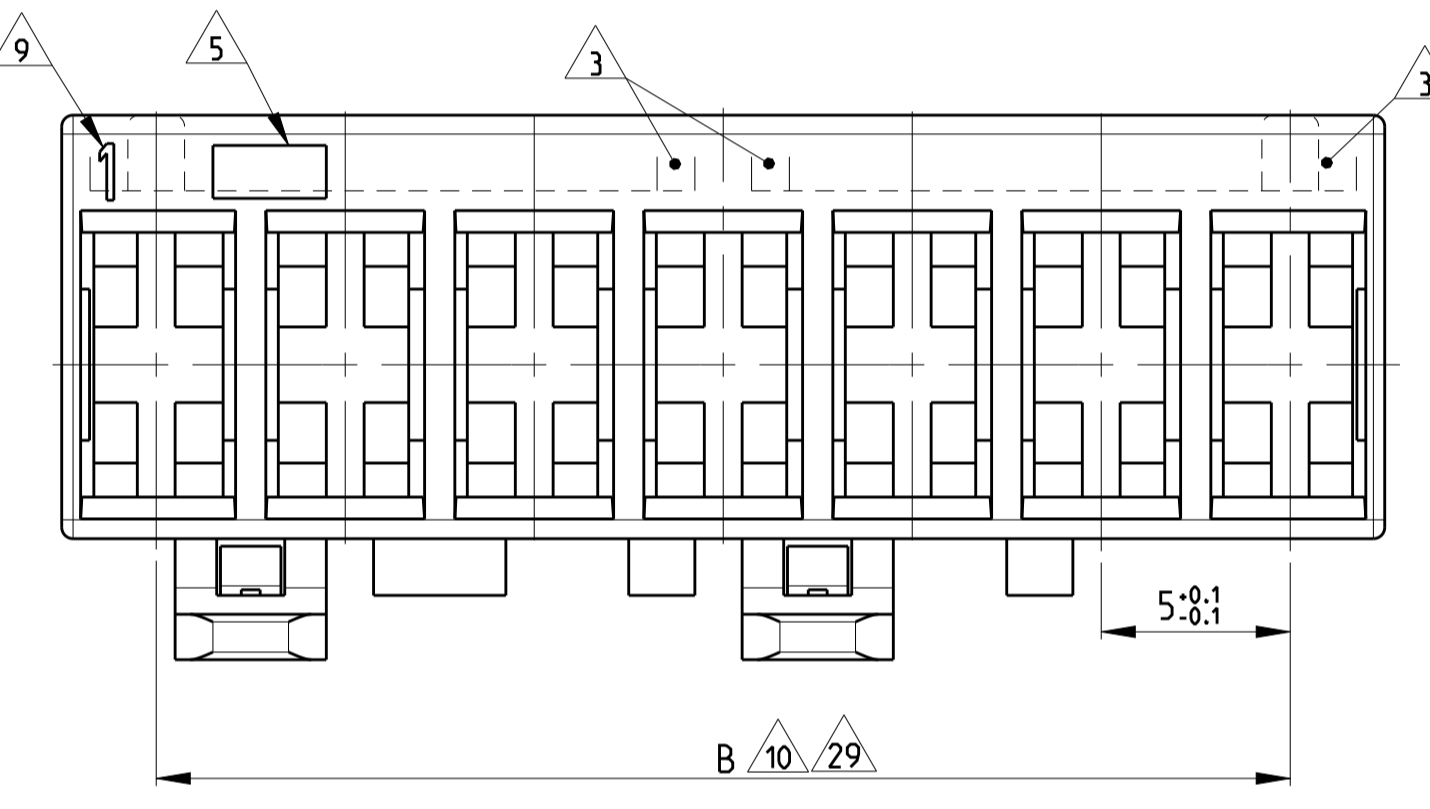
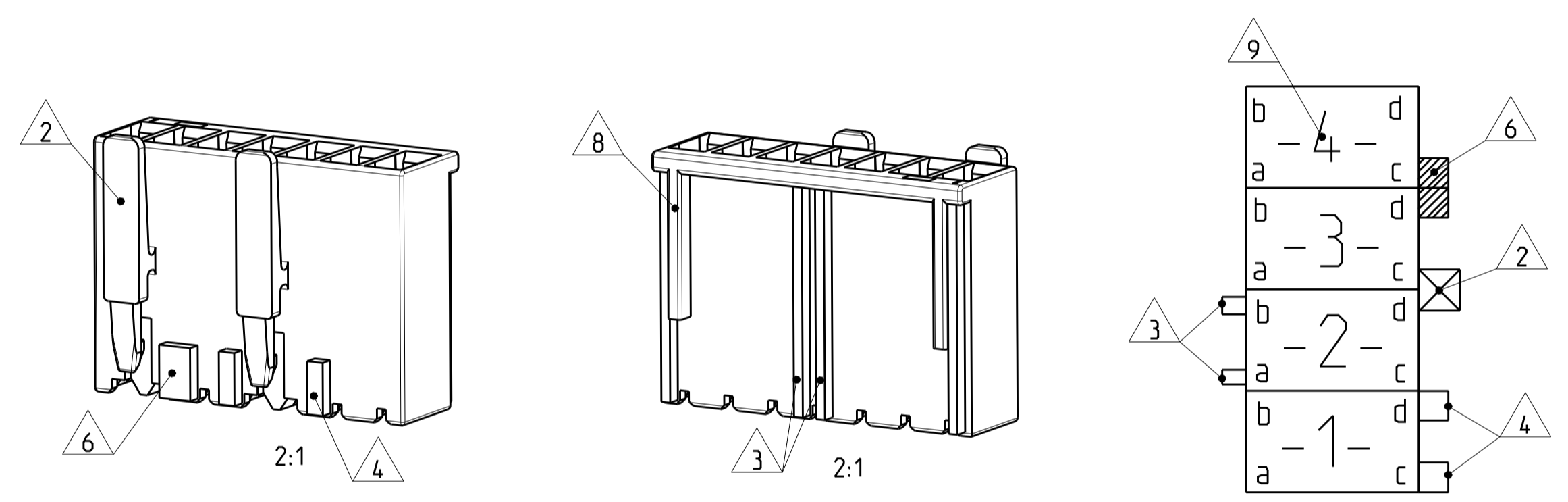


LOC		DIST		REVISIONS			
A1	-	P	LTR	DESCRIPTION	DATE	DWN	APVD
B32	ECR-17-007060				31MAY2017	IZ	RR
B33	ECR-17-010698				26JUL2017	LZ	RR
B34	ECR-17-015079				12OC12017	LZ	RR
B35	ECR-17-017720				05DEC2017	KD	RR

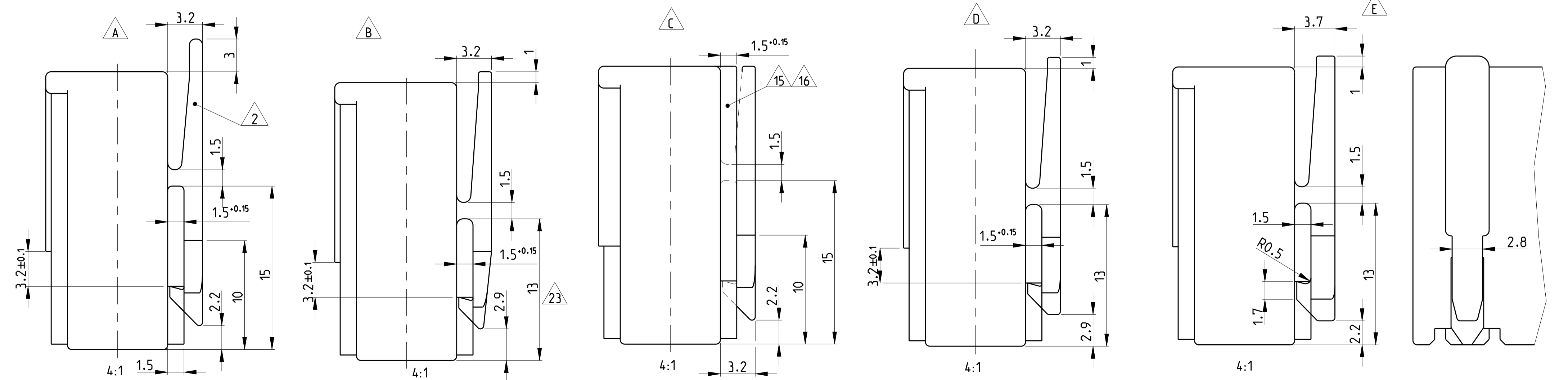


DESCRIPTION
 POSITION OF THE KEYING RIBS, POLARISATION RIBS AND THE LOCKING LATCH



ALL OTHER DIMENSIONS ARE SAME

PAY ATTENTION!
 DIFFERENT LOCKING LATCHES

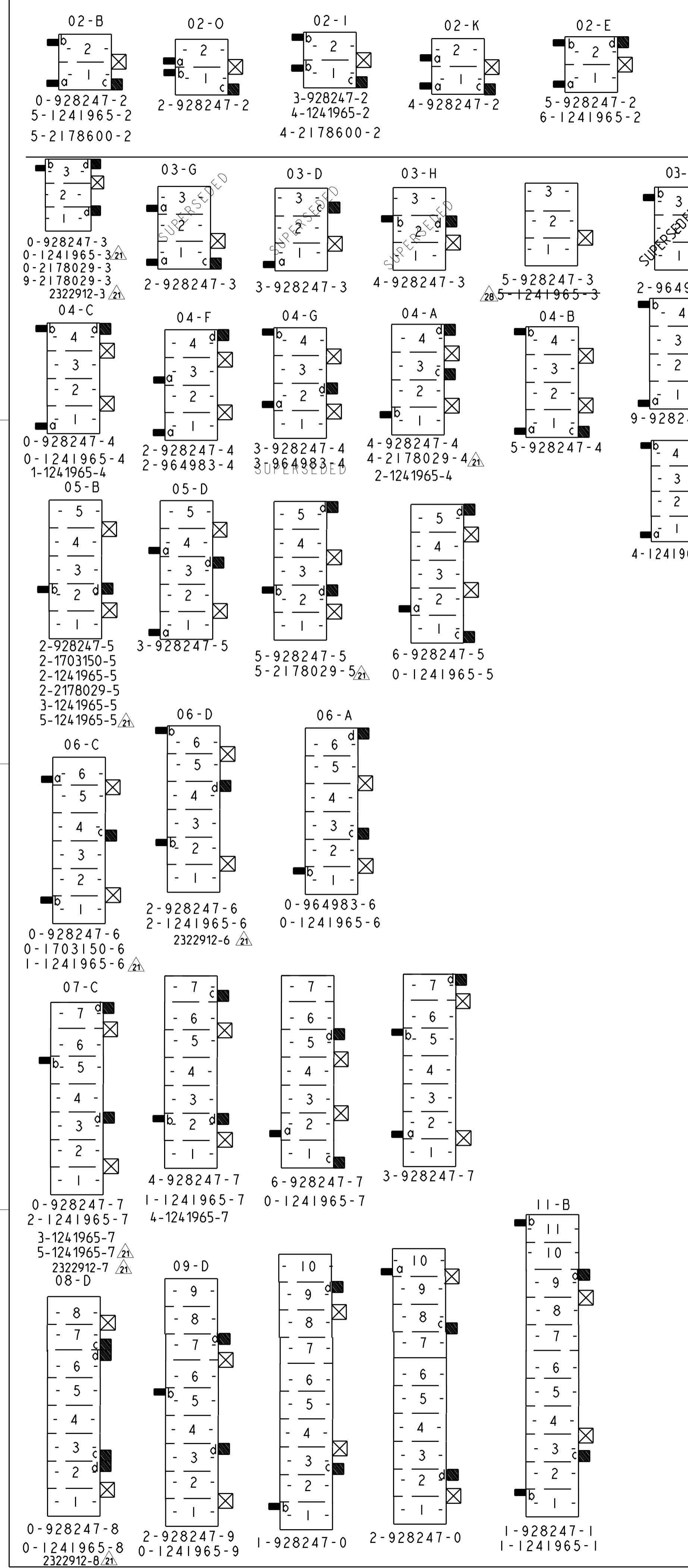


- 1 CAVITY SUITABLE TO STANDARD TIMER CONTACTS LISTED IN PROD. SPEC: 108-18049, ITEM 3.3.2
Kammer geeignet für Standard Timer Kontakte gelistet in Prod. Spec. 108-18049, Punkt 3.3.2
- 2 LOCKING LATCH BETWEEN CAVITY NO.
Rasthaken zwischen Kammernummer
- 3 POLARIZATION RIB POSITION "a" OR POSITION "b", AT CAVITY NO..
Polarisierungsrippen (Lage "a") oder (Lage "b") versetzt bei Kammer Nr
- 4 KEYING RIB POSITION "c" OR POSITION "d", AT CAVITY NO..
Kodierungsrippen nach unten (Lage "c") oder oben (Lage "d") versetzt bei Kammernummer
- 5 AREA FOR TE LOGO ACC. TO SPEC 202-36
Bereich für TE Logo nach Spec. 202-36
- 6 WIDTH KEYING RIB BETWEEN CAVITY NO.
Breite Kodierrippe zwischen Kammer Nr.
- 7 SUITABLE TO TAB 6.3x0.8mm AND 4.8x0.8mm ACCORDING TO DIN 46244
Geeignet für Flachstecker 6.3x0.8mm und 4.8x0.8mm nach DIN 46244
- 8 MATING STOP BETWEEN CAVITY NO.1 AND 2, ALSO BETWEEN THE LAST AND THE LAST BUT ONE CAVITY
Tiefenanschlag zwischen Kammer Nr.1 und 2, ebenfalls zwischen der letzten und vorletzten Kammer
- 9 CONTACT CAVITY NO.
Kammernummer
- 10 DIMENSION A AND DIMENSION B SEE SHEET 2 OF 3
Maß A und Maß B siehe Blatt 2 von 3
- 11 MATED WITH TE CONNECTOR: SEE TABLE, SHEET 2 OF 3
Passender TE Gegenstecker: siehe Tabelle, Seite 2 von 3
- 12 GENERAL SUITABLE TAB HEADER HOUSING SEE RAST 5 PERFORMANCE
Generell passende Flachsteckerwanne, siehe RAST 5 Vorgabe
- 13 CONNECTION TO THE PC BOARD SEE DRAWING 88-9935-4
Leiterplattenanschluß siehe Zeichnung 88-9935-4
- 14 SEE TABLE, SHEET 2 OF 3
Siehe Tabelle, Blatt 2 von 3
- 15 MATERIAL CORRESPONDS TO THE REQUIREMENT EN 60335 (INCL. GLOW WIRE TEST 750°C WITHOUT FLAME)
- 16 WIRE TANGLING PROTECTION
- 17 WIRE TANGLING PROTECTION IN COMBINATION WITH CODING RIBS, ONLY VALID FOR VERSIONS 5-964702-3, 0-964702-3, 0-964702-1
- 18 KEYING ACC. TO RAST-5 STANDARD; COLOUR IS DIFFERENT
- 19 8 POS. SPECIAL VERSION WITH SWAGED KEYING RIB
- 20 SPECIAL MATERIAL PA66, UL 94 V0
- 21 DIMENSION "A" IS ACCEPTED WITHIN TOLERANCE +0.05/-0.20.
- 22 PRELIMINARY PART- NOT YET RELEASED FOR PRODUCTION
- 23 ONLY FOR PN 2178600-2, 3-2178600-2, 4-2178600-2, 5-2178600-2, TOLERANCE IS +0.4 -0.2, WORST CASE CAN BE OUT OF RAST STANDARD.
- 24 ONLY FOR PN 2178600-2, 3-2178600-2, 4-2178600-2, 5-2178600-2, TOLERANCE IS +0.4 -0.2
- 25 ONLY FOR PN 2178600-2, 3-2178600-2, 4-2178600-2, 5-2178600-2, TOLERANCE IS ±4°
- 26 ONLY FOR PN 3-1241965-5, 3-1241965-7 TOLERANCE IS +0.3 -0.2
- 27 ONLY FOR PN 3-1241965-5, 3-1241965-7 TOLERANCE IS +0.2 -0.2
- 28 ONLY FOR PN 3-1241965-5, 3-1241965-7 TOLERANCE IS +0.05 -0.2
- 29 OBSOLETE PART
- 30 ONLY FOR 4-1241965-7, TOLERANCE IS -0.3
- 31 ONLY FOR 4-1241965-7, TOLERANCE IS +0.2/-0.25
- 32 ONLY FOR 1-2178029-3, TOLERANCE IS +0.15/-0.2

THIS DRAWING IS A CONTROLLED DOCUMENT.		DWN: Kishor M 18JUL2017		TE Connectivity	
DIMENSIONS: mm		CHK: K. Munz 07-NOV-06		NAME	
TOLERANCES UNLESS OTHERWISE SPECIFIED: ±0.2		APVD: Th. Klenner 07-NOV-06		2-12 POS. STANDARD TIMER HSG WITH EXTERIOR LOCKING	
MATERIAL: TBD		FINISH: -		SIZE: A1 00779	
CUSTOMER DRAWING		SCALE: 5:1		SHEET 1 OF 4	
				REV B35	

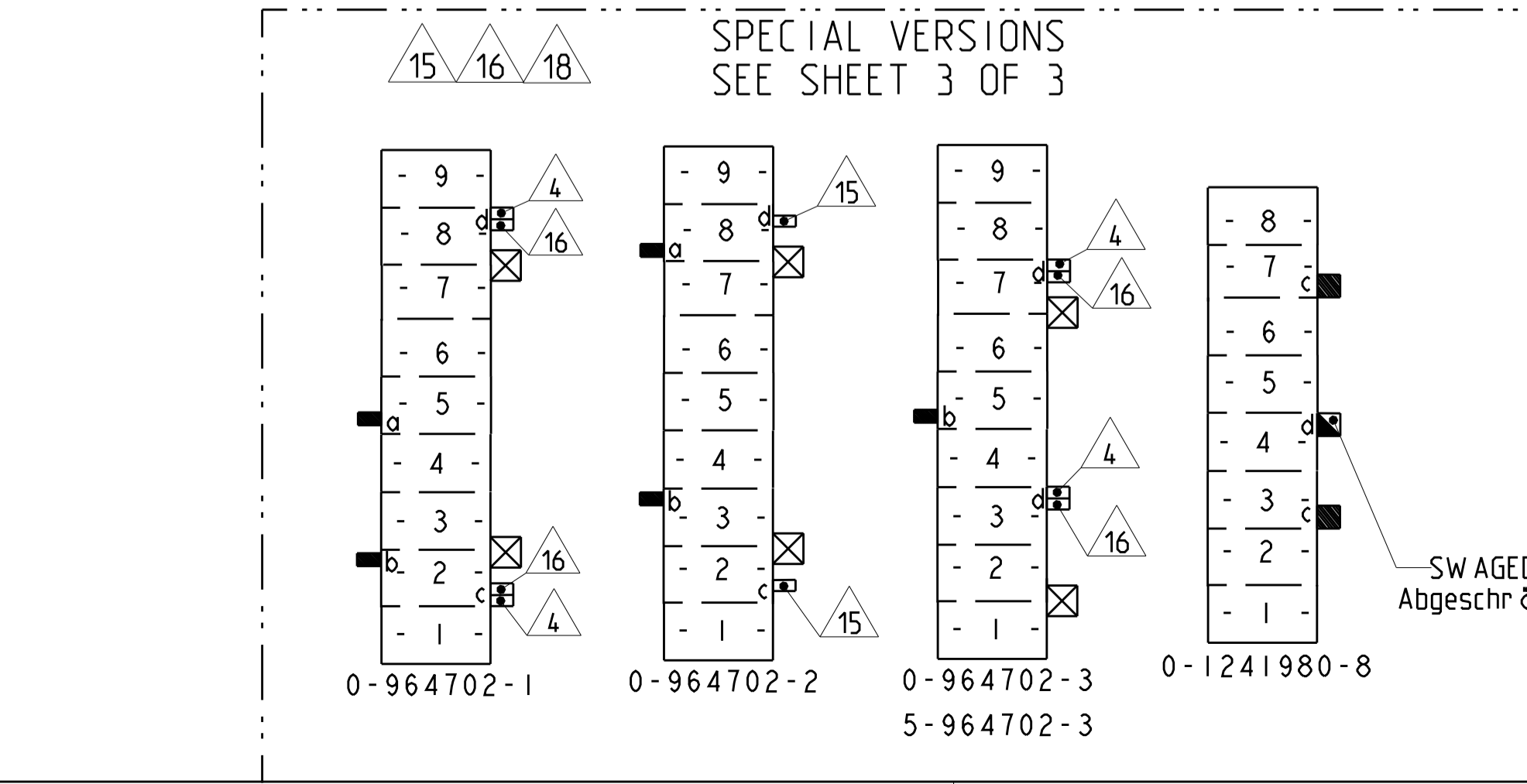
KEYING PLAN

LOC	DIST	REV	DATE	BY	APPV
A1	-	1	-	-	-



PART NO.	POS.	RAST 5	DIM A	DIM B	COLOUR	MATERIAL	LOCKING LATCH	REV.	MATED WITH
Bestell-Nr.	Pol.	Rast 5	Maß A	Maß B	Farbe		Rasthaken	Rev.	Gegenstecker
3-1241965-7	7	07-C	35	30	NATURAL	PA6 GF15 UL94V-2	D	A	12/13
3-1241965-5	5	05-B	25	20	NATURAL	UL94V-2	D	A	12/13
8-2178029-2	2	02-C	10	5	NATURAL	PA6 GF15 UL94V-2	B	1	12/13
5-2178029-2	2	02-B	10	5	BLACK	UL94V-2	B	B	12/13
4-2178029-2	2	02-I	10	5	RED	UL94V-2	B	B	12/13
3-2178029-2	2	02-G	10	5	BLUE	UL94V-2	B	B	12/13
0-2178029-2	2	02-A	10	5	NATURAL	UL94V-2	B	B	12/13
2-1241965-7	7	07-C	35	30	NATURAL	PA6 UL94V-2	B	A	12/13
1-1241965-6	6	06-C	30	25	NATURAL	UL94V-2	B	1	12/13
0-1241965-6	6	06-A	30	25	NATURAL	UL94V-2	B	A	12/13
5-1241965-3	3	-	15	10	NATURAL	UL94V-2	A	1	12/13
0-1241965-3	3	-	15	10	NATURAL	UL94V-2	B	1	12/13
6-1241965-2	2	02-E	10	5	NATURAL	UL94V-2	B	A	12/13

PART NO.	POS.	RAST 5	DIM A	DIM B	COLOUR	MATERIAL	LOCKING LATCH	REV.	MATED WITH
Bestell-Nr.	Pol.	Rast 5	Maß A	Maß B	Farbe		Rasthaken	Rev.	Gegenstecker
5-2178029-5	5	-	25	20	GREEN	PA66 UL94V-0	B	1	12/13
2-2178029-5	5	-	25	20	BLACK	UL94V-0	B	A	12/13
4-2178029-4	4	-	20	15	NATURAL	UL94V-0	B	1	12/13
9-2178029-3	3	-	15	10	YELLOW	UL94V-0	B	A	12/13
1-2178029-3	3	-	15	10	NATURAL	UL94V-0	B	B	12/13
0-2178029-3	3	-	15	10	NATURAL	UL94V-0	B	A	12/13
5-2178029-2	2	02-B	10	5	NATURAL	UL94V-0	B	1	12/13
4-2178029-2	2	02-I	10	5	NATURAL	UL94V-0	B	1	12/13
3-2178029-2	2	02-K	10	5	NATURAL	UL94V-0	B	1	12/13
2-2178029-2	2	02-B	10	5	BLACK	UL94V-0	B	A	12/13
1-2178029-2	2	02-I	10	5	RED	UL94V-0	B	A	12/13
0-2178029-2	2	02-K	10	5	GREEN	UL94V-0	B	A	12/13




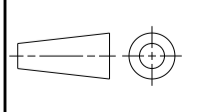
LOC	DIST	REV	DATE	BY	APPV				
7-1241965-2	2	02-M	10	5	NATURE	UL94 V-0	B	1	12/13
0-1241980-8	8	-	40	35	NATURE/natur	UL94V-0	-	B	12/13
5-964702-3	-	-	-	-	NATURE/natur	UL94V-2	C	E	12/13
0-964702-3	9	-	45	40	NATURE/natur	UL94V-2	C	E	12/13
0-964702-2	-	-	-	-	BLACK/schwarz	UL94V-2	B	D	12/13
0-964702-1	-	-	-	-	NATURE/natur	UL94V-2	B	D	12/13
0-964983-6	6	06-A	30	25	WHITE/weiß	UL94V-2	B	D	12/13
3-964983-4	4	04-G	20	15	GREY/grau	UL94V-2	B	D	12/13
2-964983-4	4	04-F	20	15	ORANGE/orange	UL94V-2	B	D	12/13
2-964983-3	3	03-K	15	10	GREEN/grün	UL94V-2	B	D	12/13
3-964983-2	2	02-M	10	5	VIOLET/violett (lila)	UL94V-2	B	D	12/13
2-964983-2	2	02-G	10	5	BLUE/blau	UL94V-2	B	D	12/13
0-964983-2	2	02-D	10	5	BLACK/schwarz	UL94V-2	B	D	12/13
1-1241965-1	11	11-B	55	50	NATURE/natur	UL94V-2	B	D	12/13
0-1241965-9	9	09-D	45	40	NATURE/natur	UL94V-2	B	D	12/13
0-1241965-8	8	08-D	40	35	NATURE/natur	UL94V-2	B	D	12/13
1-1241965-7	7	-	35	30	NATURE/natur	UL94V-2	B	D	12/13
0-1241965-7	7	-	35	30	NATURE/natur	UL94V-2	B	D	12/13
2-1241965-6	6	06-D	30	25	NATURE/natur	UL94V-2	B	D	12/13
2-1241965-5	5	05-B	25	20	NATURE/natur	UL94V-2	B	D	12/13
0-1241965-5	5	-	25	20	NATURE/natur	UL94V-2	B	D	12/13
0-1241965-4	4	04-C	20	15	NATURE/natur	UL94V-2	B	D	12/13
9-1241965-2	2	-	10	5	NATURE/natur	UL94V-2	B	D	12/13
5-1241965-2	2	02-B	10	5	BLACK/schwarz	UL94V-2	B	D	12/13
4-1241965-2	2	02-I	10	5	RED/rot	UL94V-2	B	D	12/13
3-1241965-2	2	02-G	10	5	BLUE/blau	UL94V-2	B	D	12/13
0-1241965-2	2	02-A	10	5	NATURE/natur	UL94V-2	B	D	12/13
1-928247-1	11	11-B	55	50	YELLOW/gelb	UL94V-2	B	D	12/13
2-928247-0	10	-	50	45	GREY/grau	UL94V-2	B	D	12/13
1-928247-0	10	-	50	45	BROWN/braun	UL94V-2	B	D	12/13
2-928247-9	9	09-D	45	40	BLUE/blau	UL94V-2	B	D	12/13
0-928247-8	8	08-D	40	35	BLUE/blau	UL94V-2	B	D	12/13
6-928247-7	7	-	35	30	GREEN/grün	UL94V-2	A	D	12/13
4-928247-7	7	-	35	30	NATURE/natur	UL94V-2	A	D	12/13
3-928247-7	7	-	35	30	NATURE/natur	UL94V-0	A	D	12/13
0-928247-7	7	07-C	35	30	GREY/grau	UL94V-2	B	D	12/13
2-928247-6	6	06-D	30	25	BLUE/blau	UL94V-2	B	D	12/13
0-1703150-6	6	06-C	30	25	GREY/grau	UL94V-2	A	D	12/13
0-928247-6	6	06-C	30	25	GREY/grau	UL94V-2	B	D	12/13
6-928247-5	5	-	25	20	NATURE/natur	UL94V-2	B	D	12/13
5-928247-5	5	-	25	20	GREEN/grün	UL94V-2	B	D	12/13
3-928247-5	5	05-D	25	20	BLUE/blau	UL94V-2	A	D	12/13
2-1703150-5	5	05-B	25	20	BLACK/schwarz	UL94V-2	A	D	12/13
2-928247-5	5	05-B	25	20	BLACK/schwarz	UL94V-2	B	D	12/13
9-928247-4	4	-	20	15	NATURE/natur	UL94V-0	A	D	12/13
5-928247-4	4	04-B	20	15	BLACK/schwarz	UL94V-0	A	D	12/13
4-928247-4	4	04-A	20	15	NATURE/natur	UL94V-0	B	D	12/13
3-928247-4	4	04-G	20	15	VIOLET/violett (lila)	UL94V-0	B	D	12/13
2-928247-4	4	04-F	20	15	WHITE/weiß	UL94V-0	B	D	12/13
0-928247-4	4	04-C	20	15	GREY/grau	UL94V-0	B	D	12/13
5-928247-3	3	-	15	10	NATURE/natur	UL94V-2	A	D	12/13
4-928247-3	3	03-H	15	10	BROWN/braun	UL94V-2	A	D	12/13
3-928247-3	3	03-D	15	10	BLUE/blau	UL94V-2	A	D	12/13
2-928247-3	3	03-G	15	10	VIOLET/violett (lila)	UL94V-2	A	D	12/13
0-928247-3	3	-	15	10	YELLOW/gelb	UL94V-2	B	D	12/13
9-928247-2	2	-	10	5	NATURE/natur	UL94V-2	B	D	12/13
8-928247-2	2	02-C	10	5	GREY/grau	UL94V-2	B	D	12/13
7-928247-2	2	02-P	10	5	PURPLED/purpurot	UL94V-2	A	D	12/13
6-928247-2	2	02-A	10	5	NATURE/natur	UL94V-2	B	D	12/13
5-928247-2	2	02-E	10	5	GREEN/grün	UL94V-2	B	D	12/13
4-928247-2	2	02-K	10	5	YELLOW GREEN/gelbgrün	UL94V-2	B	D	12/13
3-928247-2	2	02-I	10	5	ORANGE/orange	UL94V-2	A	D	12/13
2-928247-2	2	02-O	10	5	PINK/rosa	UL94V-2	A	D	12/13
0-928247-2	2	02-B	10	5	BLACK/schwarz	UL94V-2	B	D	12/13

THIS DRAWING IS A CONTROLLED DOCUMENT. DIMENSIONS: mm. TOLERANCES UNLESS OTHERWISE SPECIFIED: ±0.2. MATERIAL: TBD. FINISH: -. WEIGHT: -. Customer Drawing. 2-12 POS. STANDARD TIMER HSG WITH EXTERIOR LOCKING. SIZE: A1. CAGE CODE: 00779. DRAWING NO: 108-18049. APPLICATION SPEC: 1241965. SHEET 2 OF 4. REV B35.

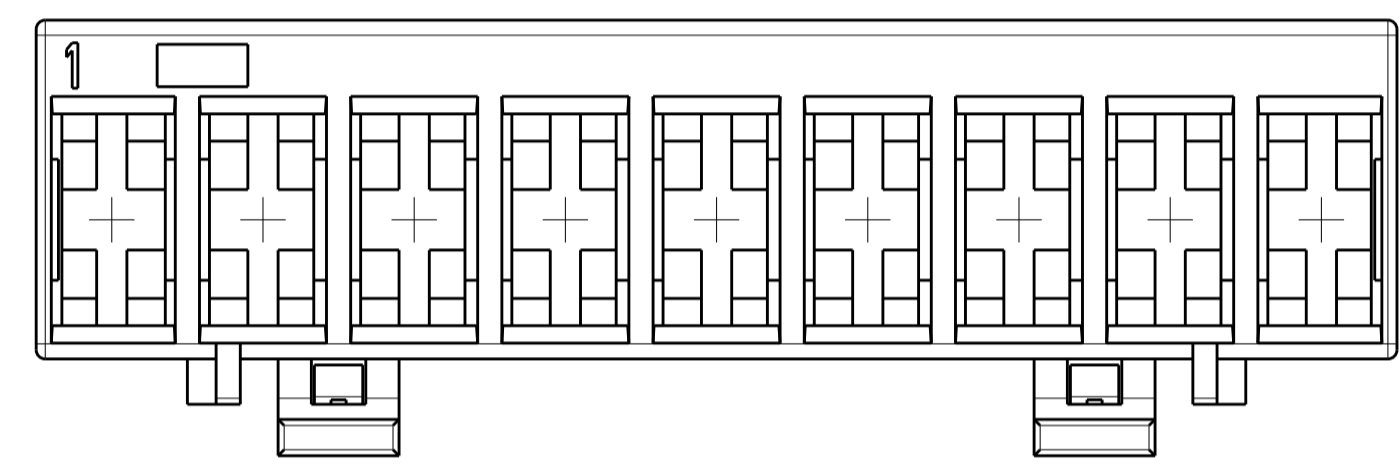
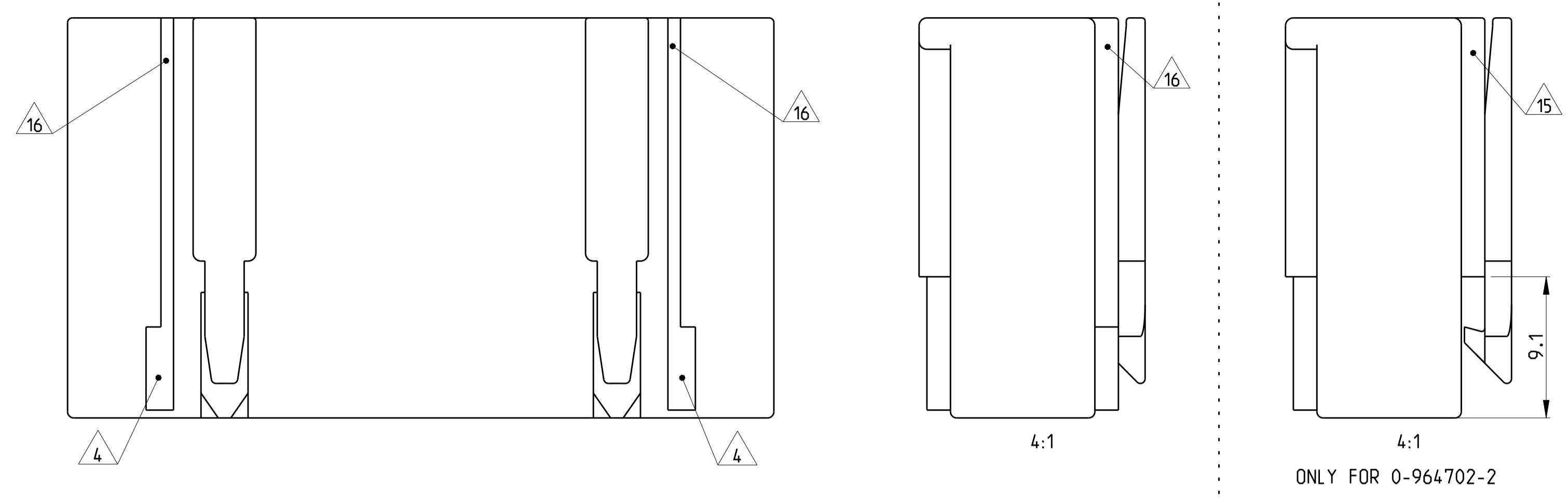
LOC	DIST	REVISIONS					
		P	LTR	DESCRIPTION	DATE	DWN	APVD
A1	-			SEE SHEET 1			

2322912-8	8	08-D	40	35	BLUE	PA66 UL94 V0 GW T 750	B	1	12 13
2322912-7	7	07-C	35	30	GREY		B	1	12 13
2322912-6	6	06-D	30	25	BLUE		B	1	12 13
2322912-3	3	-	15	10	YELLOW		B	1	12 13
2-2322912-2	2	02-A	10	5	NATURE		B	1	12 13
1-2322912-2	2	02-G	10	5	BLUE		B	1	12 13
2322912-2	2	02-C	10	5	GREY	B	1	12 13	
5-1241965-4	4	-	20	15	NATURAL	PA66 UL94 V0 GW T 750 CT1350	E	1	12 13
4-1241965-4	4	-	20	15	NATURAL		E	1	12 13
3-1241965-4	4	-	20	15	NATURAL		E	1	12 13
2-1241965-4	4	-	20	15	NATURAL		E	A	12 13
1-1241965-4	4	04-C	20	15	NATURAL		E	A	12 13
8-1241965-2	2	02-C	10	5	NATURAL		E	A	12 13
4-1241965-7	7	-	35	30	NATURAL		E	A	12 13
5-1241965-7	7	07-C	35	30	NATURAL		E	1	12 13
5-1241965-5	5	05-B	25	20	NATURAL		E	1	12 13
PART NO.	POS.	RAST 5	DIM A	DIM B	COLOUR	MATERIAL	LOCKING LATCH	REV.	MATED WITH
SPECIAL VERSION: UL94 V0 & GW T 750									

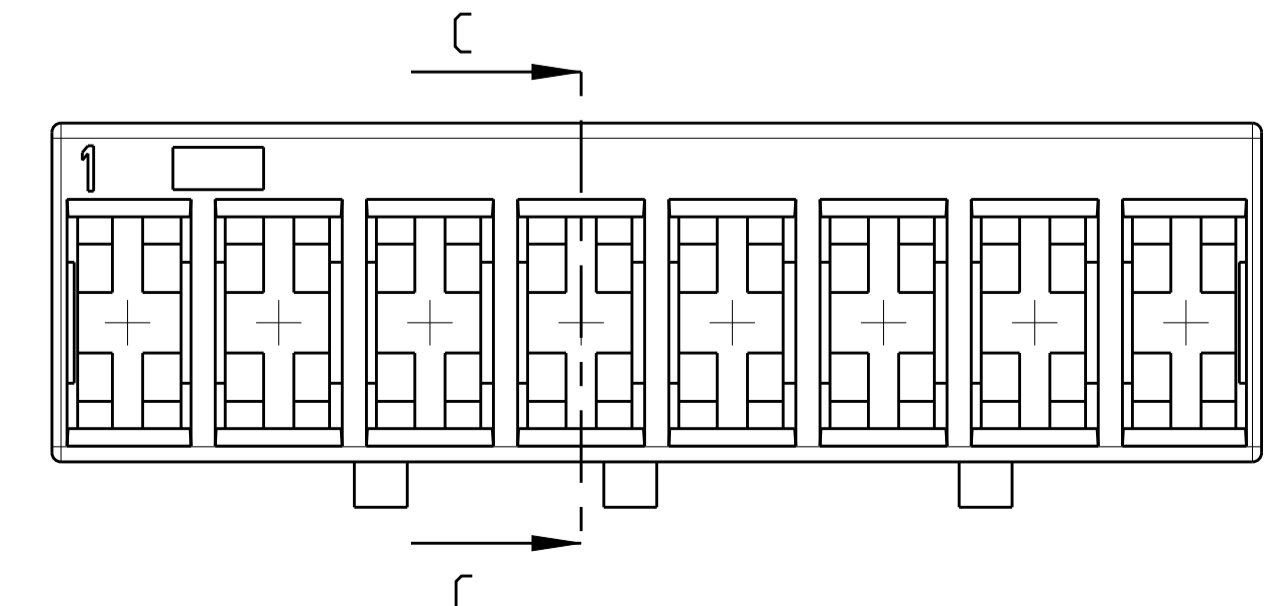
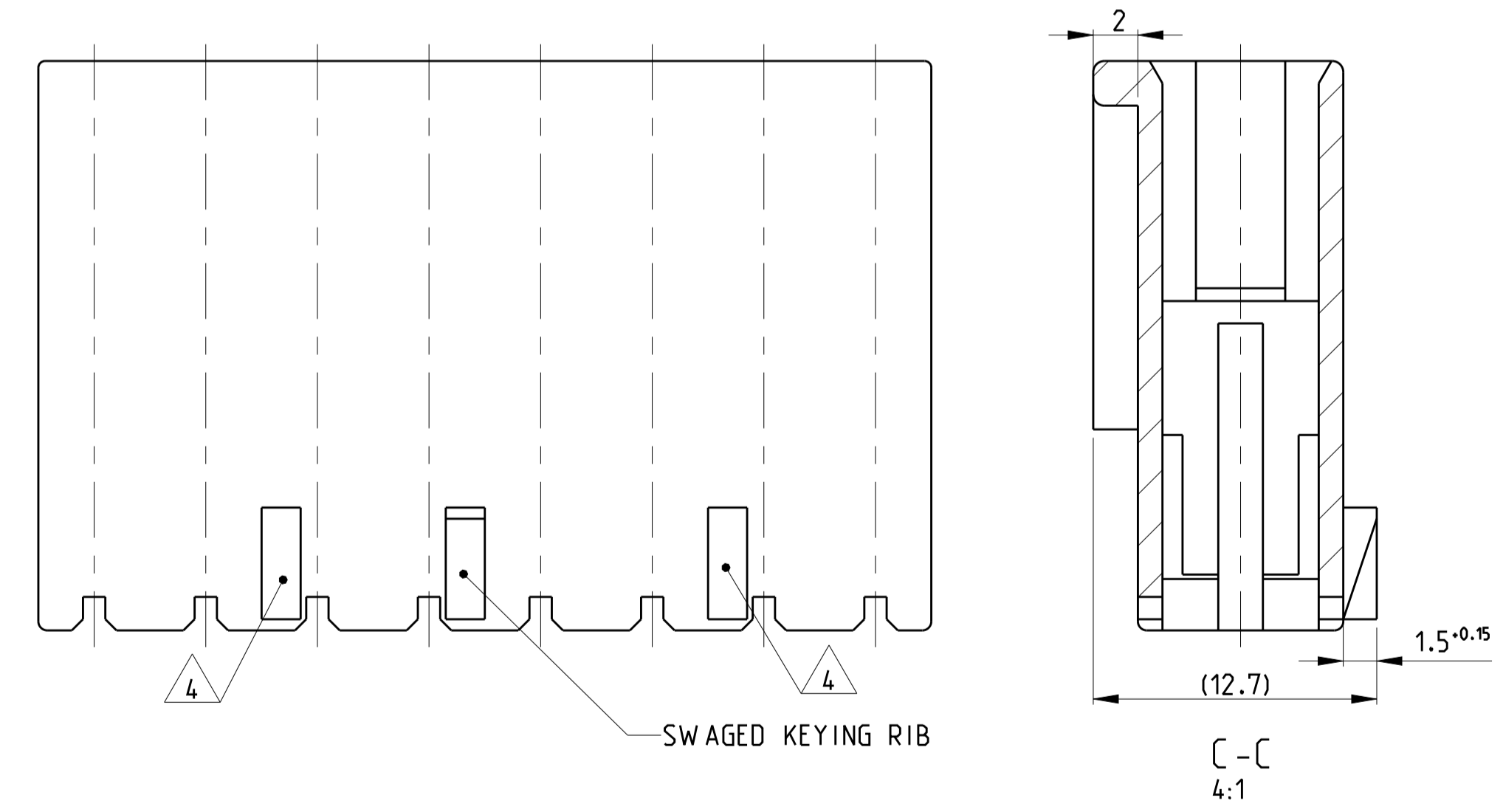
KEYING PLAN SEE SHEET 2 OF 4

THIS DRAWING IS A CONTROLLED DOCUMENT.		DWG: 18 JUL 2017 Kishor M		CHK: 07-NOV-06 K. Munz		APVD: 07-NOV-06 Th. Klenner		 TE Connectivity NAME: 2-12 POS. STANDARD TIMER HSG WITH EXTERIOR LOCKING			
DIMENSIONS: mm		TOLERANCES UNLESS OTHERWISE SPECIFIED:		PRODUCT SPEC: 108-18049		APPLICATION SPEC: -				SIZE: A1	CAGE CODE: 00779
		0 PLC ± 1 PLC 0.1 2 PLC 0.01 3 PLC 0.001 4 PLC 0.0001 ANGLES * FINISH -		WEIGHT: -		Customer Drawing		SCALE: 5:1	SHEET: 3 of 4	REV: B35	

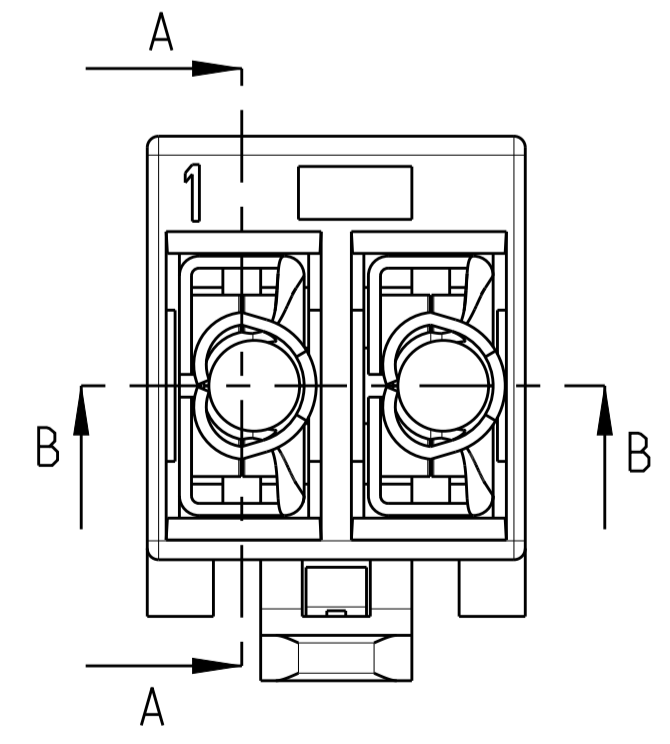
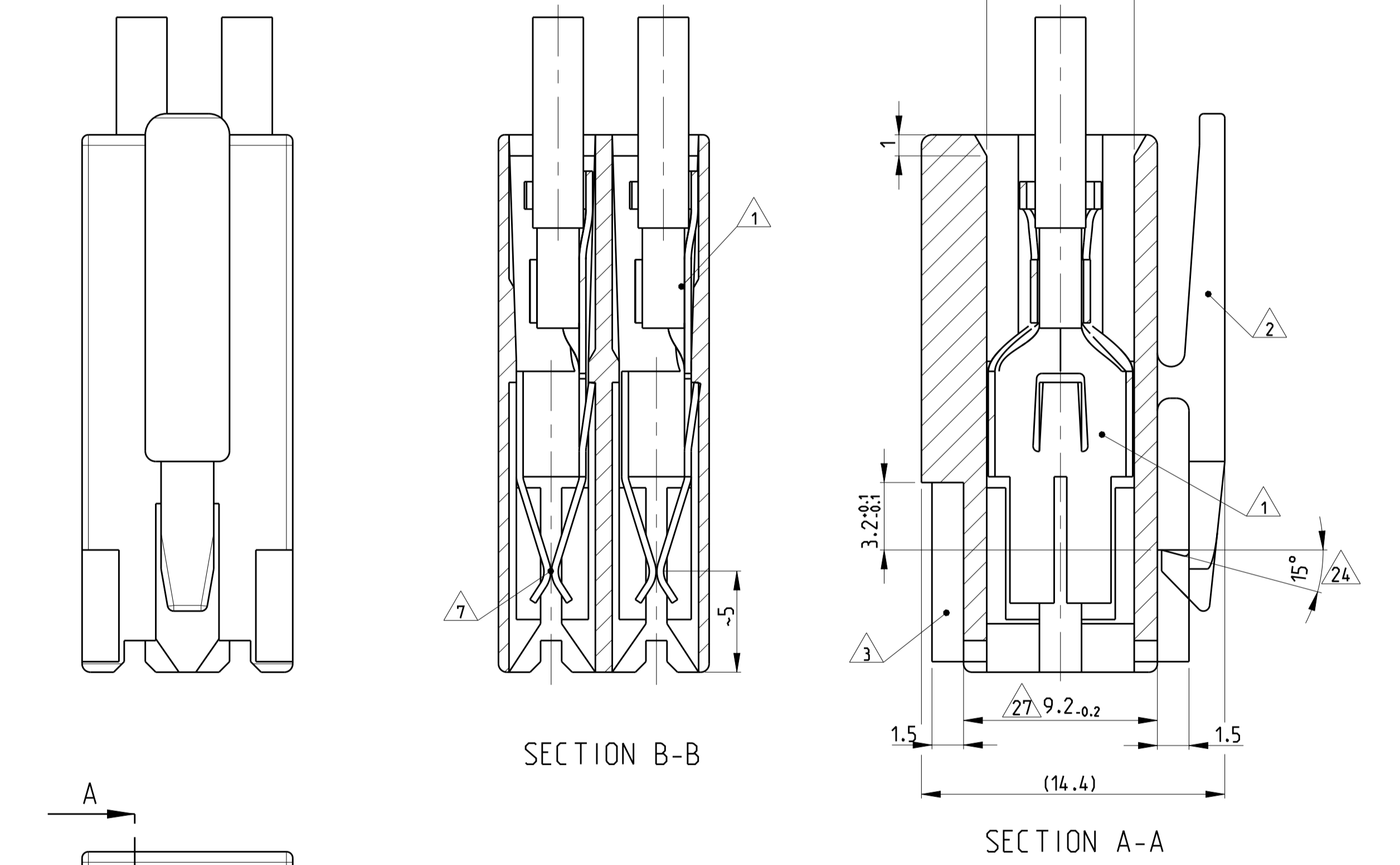
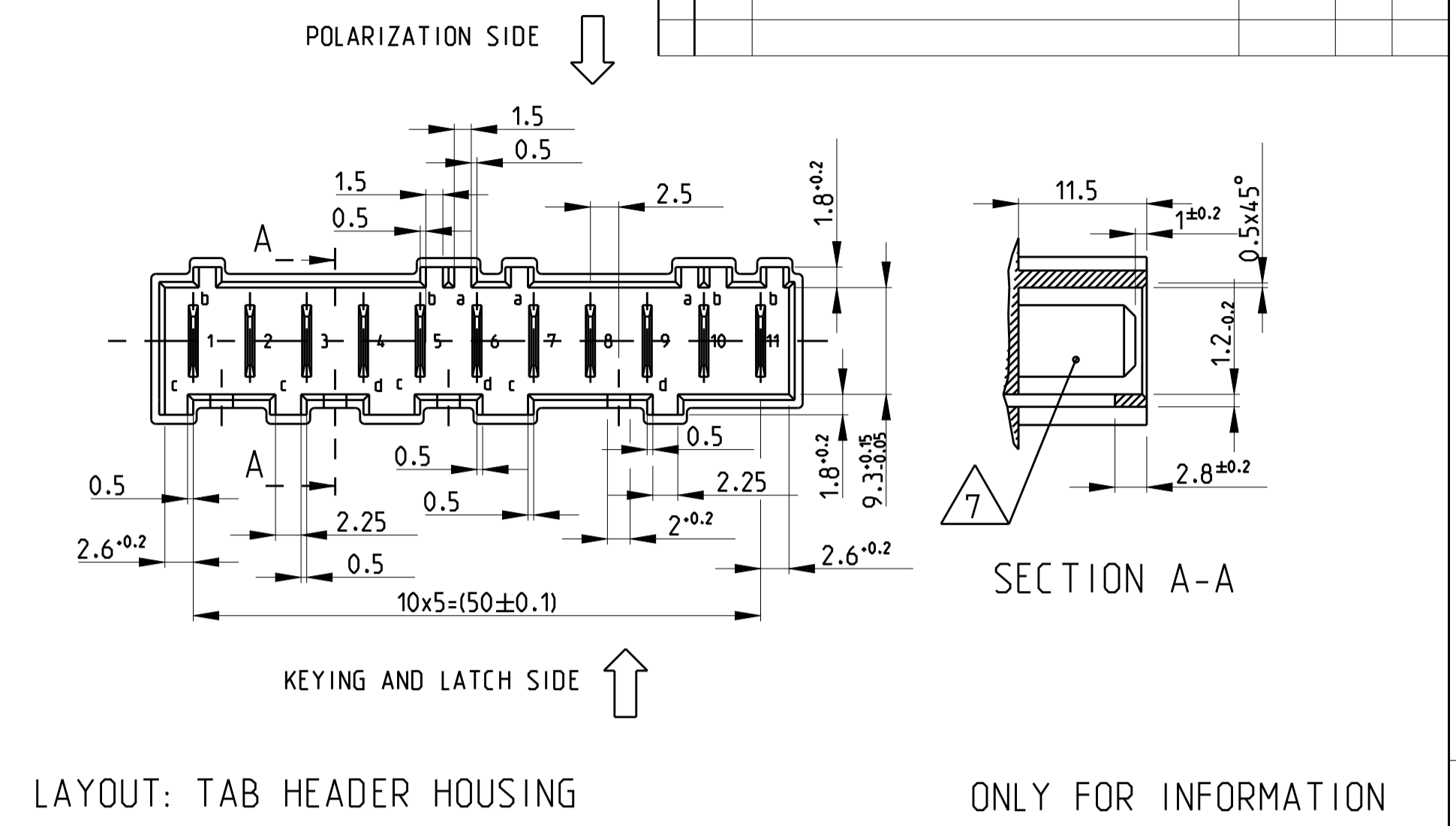
SPECIAL VERSIONS 15 16
 9 POS STD. TIMER HSG. WITH TANGLING PROTECTION



SPECIAL VERSION 18
 8 POS SPECIAL STD. TIMER HSG.



LOC	DIST	REVISIONS	DATE	DWN	APVD
A1	-	SEE SHEET 1	-	-	-



THIS DRAWING IS A CONTROLLED DOCUMENT.		DWN: Kishor M 18 JUL 2017	TE Connectivity
DIMENSIONS: mm		CHK: K. Munz 07-NOV-06	
TOLERANCES UNLESS OTHERWISE SPECIFIED: ±0.2		APVD: Th. Klenner 07-NOV-06	NAME
0-PLC ±0.1 1-PLC ±0.1 2-PLC ±0.05 3-PLC ±0.001 4-PLC ±0.0001		PRODUCT SPEC	108-18049
MATERIAL: TBD		APPLICATION SPEC	2-12 POS. STANDARD TIMER HSG WITH EXTERIOR LOCKING
FINISH: -		WEIGHT: -	SIZE: A1
ANGLES: -		Customer Drawing	CAGE CODE: 00779
DRAWING NO: -		SCALE: 5:1	DRAWING NO: 1241965
SHEET: 4 OF 4		REV: B35	RESTRICTED TO: -

Mouser Electronics

Authorized Distributor

Click to View Pricing, Inventory, Delivery & Lifecycle Information:

[TE Connectivity:](#)

[3-1241965-2](#)