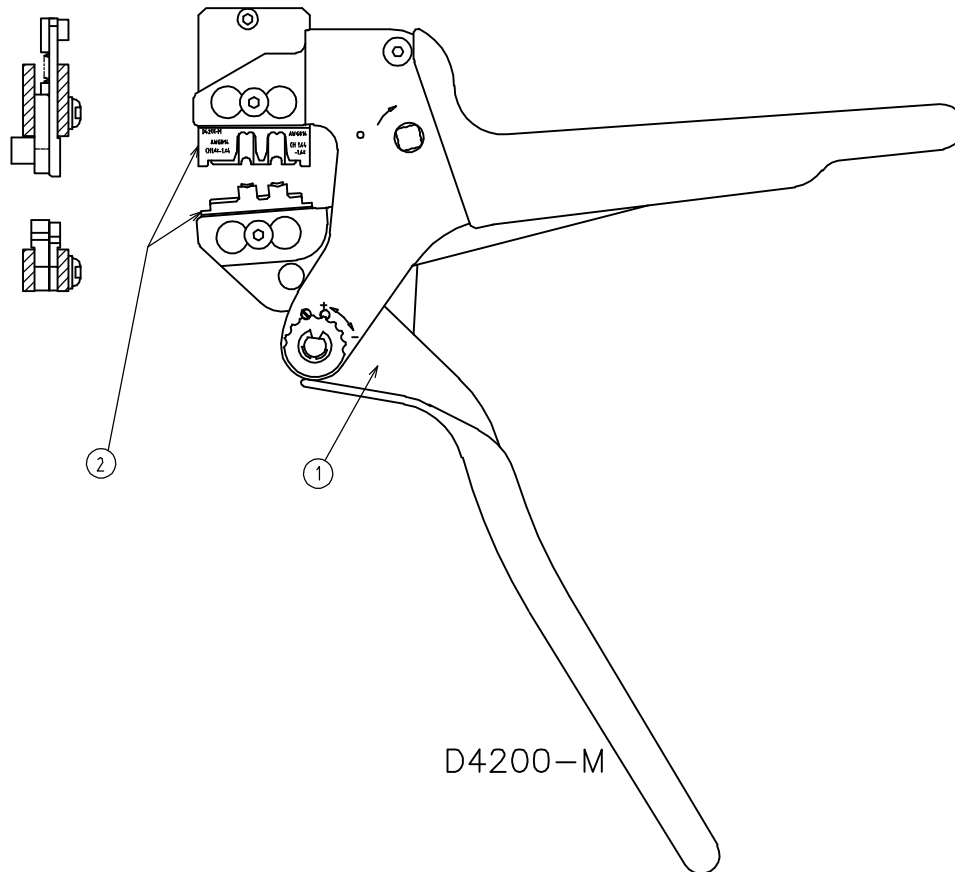


|     |      |                 |     |             |         |     |      |
|-----|------|-----------------|-----|-------------|---------|-----|------|
| LOC | DIST | REVISIONS<br>変更 |     |             |         |     |      |
| J   | —    | P               | LTR | DESCRIPTION | DATE    | DWN | APVD |
|     |      | A               |     | RELEASED    | 17MAR06 | S.N | S.Y  |

| TERMINAL No. | WIRE SIZE AWG# | INS. RANGE (mm) | WIRE CRIMP HEIGHT (mm) | IS. No.   |
|--------------|----------------|-----------------|------------------------|-----------|
| 1747499      | #16            | φ2.0-φ3.2       | 1.44-1.60              | 411-78229 |
| 1747501      | #14            | φ2.80-φ3.75     | 1.68-1.84              |           |



D4200-M


- 1 ONLY

|    |             |                      |          |
|----|-------------|----------------------|----------|
| 1  | 1762675-1   | DIE ASSY             | 2        |
| 1  | 9-1478240-0 | ERGO CRIMP HAND TOOL | 1        |
| -1 | PART NO.    | NAME                 | ITEM NO. |

THIS DRAWING IS UNPUBLISHED.

RELEASED FOR PUBLICATION ALL RIGHTS RESERVED.

COPYRIGHT BY TYCO ELECTRONICS CORPORATION.

|  |       |                  |              |  |        |      |        |           |       |            |                 |         |               |   |     |   |
|--|-------|------------------|--------------|--|--------|------|--------|-----------|-------|------------|-----------------|---------|---------------|---|-----|---|
| DIMENSIONS:<br>単位：耗<br>mm                      | DWN   | S.NAKA           | 17.MAR.2006  | MATERIAL   | 材料     | —    | FINISH | 仕上        | —     |            |                 |         |               |   |     |   |
|  | CHK   | S.NAKA           | 17.MAR.2006  |  Tyco Electronics AMP K.K.<br>Kawasaki, Japan |        |      |        |           |       |            |                 |         |               |   |     |   |
| TOLERANCES UNLESS OTHERWISE SPECIFIED:<br>一般公差 | APVD  | S.YABE           | 17.MAR.2006  |  |        |      |        |           |       | NAME       | PEW12 HAND TOOL |         |               |   |     |   |
|  | 0 PLC | ± -              | PRODUCT SPEC | 製品規格   | —      | SIZE | A4     | CAGE CODE | 00779 | DRAWING NO | 番号              | 1762671 | RESTRICTED TO | — |     |   |
| 1 PLC  | ± -   | APPLICATION SPEC | 取付適用規格       | 114-5369   | WEIGHT | 650g | SCALE  |           | 尺度    | 1:2        | SHEET           | 1       | OF            | 1 | REV | A |
| 2 PLC  | ± -   | CUSTOMER DRAWING |              |  |        |      |        |           |       |            |                 |         |               |   |     |   |
| 3 PLC  | ± -   |                  |              |  |        |      |        |           |       |            |                 |         |               |   |     |   |
| 4 PLC  | ± -   |                  |              |  |        |      |        |           |       |            |                 |         |               |   |     |   |
| ANGLES   | ± -   |                  |              |  |        |      |        |           |       |            |                 |         |               |   |     |   |

# Mouser Electronics

Authorized Distributor

Click to View Pricing, Inventory, Delivery & Lifecycle Information:

[TE Connectivity:](#)

[1762671-1](#)