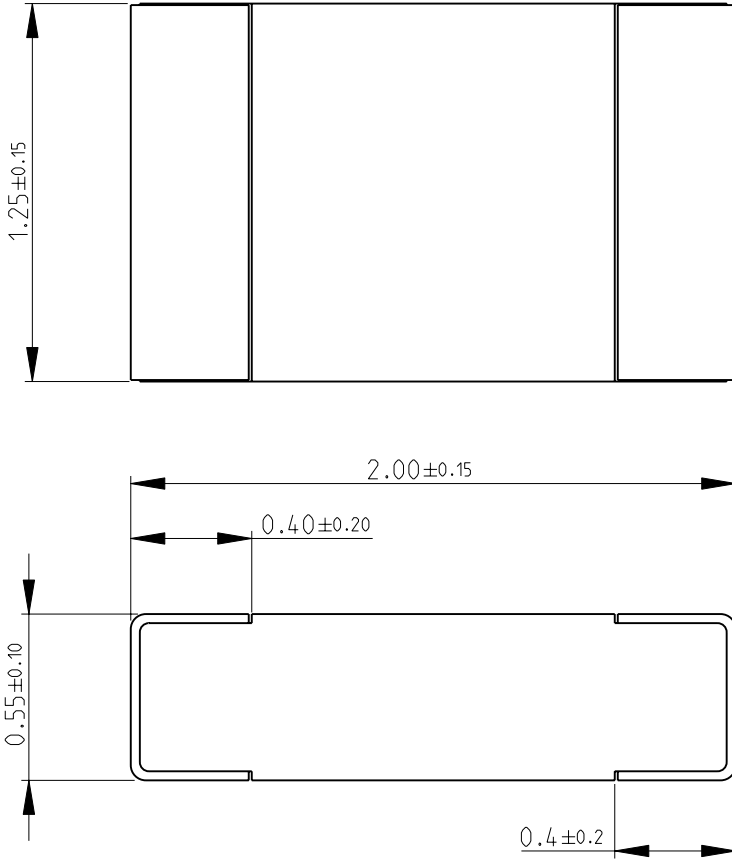
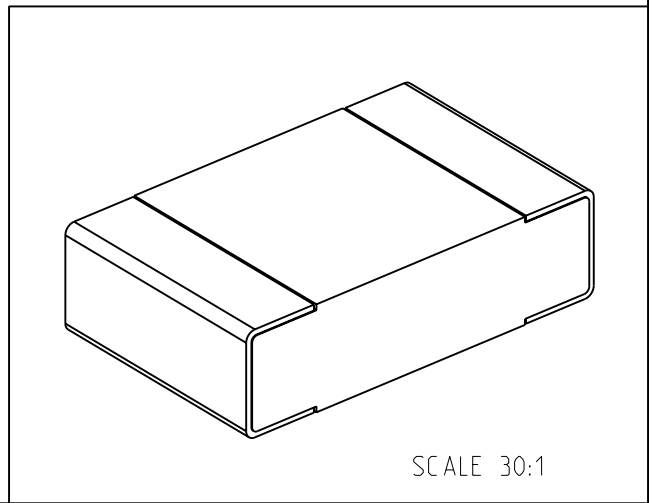


| | | | | | | | |
|-----|------|-----------|-----|-------------|-----------|-----|------|
| LOC | DIST | REVISIONS | | | | | |
| E | B | P | LTR | DESCRIPTION | DATE | DWN | APVD |
| | | | BA | NEW RELEASE | 08-JAN-09 | SM | St.P |

FOR FURTHER INFORMATION SEE DATA SHEET FOR
CRG SERIES-THICK FILM CHIP RESISTORS



RoHS Compliant



SCALE 30:1

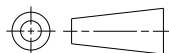
2009

RELEASED FOR PUBLICATION

THIS DRAWING IS UNPUBLISHED.

© COPYRIGHT 2009 BY TYCO ELECTRONICS CORPORATION. ALL RIGHTS RESERVED.

| | | | | | | | |
|----------------------------------------|------------------|-----------|-----------|------------------------------------------------------------------------------|------------------------------------------------------|-------------|---------------|
| DIMENSIONS: mm | DWN | SUBHASH.M | 08-JAN-09 | MATERIAL | - | FINISH | - |
| | CHK | PRAKASH.S | 08-JAN-09 | Tyco Electronics Tyco Electronics Corporation Dorcan, Swindon, SN3 5HH | NAME THICK FILM CHIP RESISTORS SERIES CRG 0805 | | |
| TOLERANCES UNLESS OTHERWISE SPECIFIED: | APVD | STEPHEN.P | 08-JAN-09 | | | | |
| 0 PLC ±0.5 | PRODUCT SPEC | - | | SIZE | CAGE CODE | DRAWING NO | RESTRICTED TO |
| 1 PLC ±0.2 | APPLICATION SPEC | - | | A 4 | 00779 | © = 1623197 | - |
| 2 PLC ±0.1 | | | | SCALE | 40:1 | SHEET | 1 OF 1 |
| 3 PLC ±- | WEIGHT | - | | | | REV | BA |
| 4 PLC ±- | | | | CUSTOMER DRAWING | | | |
| ANGLES ±5° | | | | | | | |



Mouser Electronics

Authorized Distributor

Click to View Pricing, Inventory, Delivery & Lifecycle Information:

[TE Connectivity:](#)

[CRG0805F33K](#)