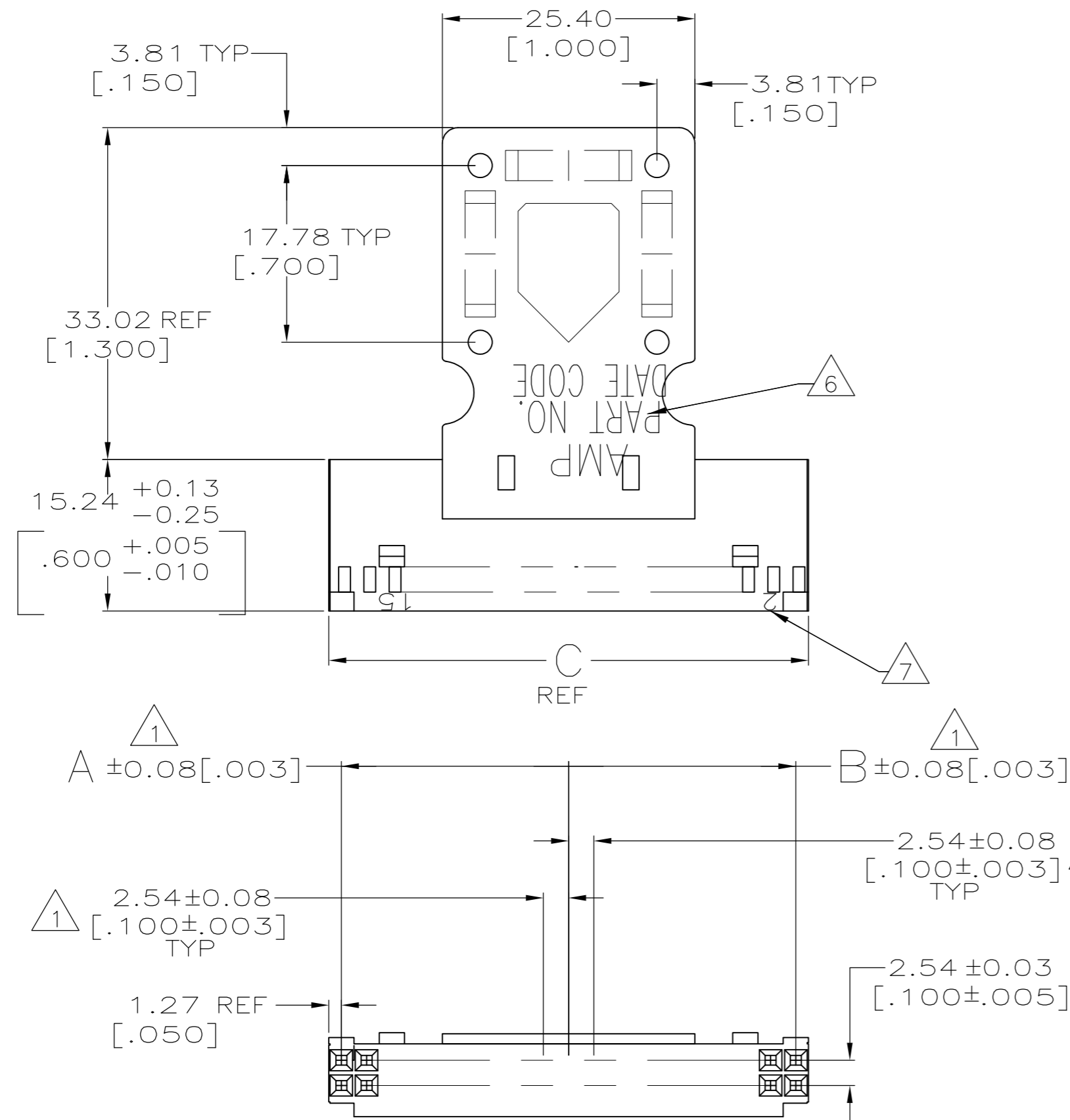
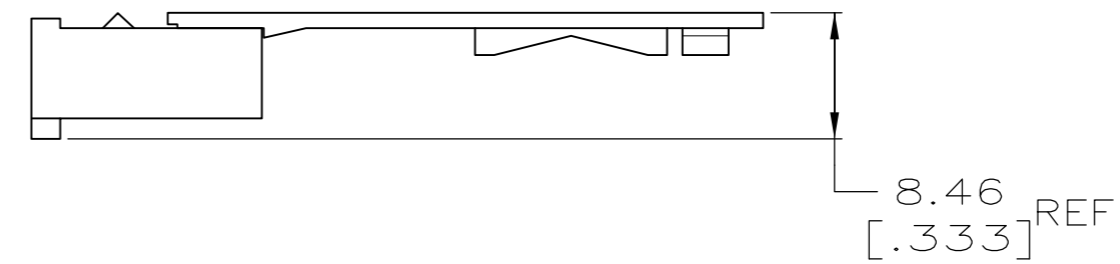


THIS DRAWING IS UNPUBLISHED. RELEASED FOR PUBLICATION
 © COPYRIGHT - By - ALL RIGHTS RESERVED.

| LOC | | DIST | | REVISIONS | | | |
|-----|-----|-------------|---------------------------|-----------|---------|------|-----|
| P | LTR | DESCRIPTION | | DATE | DWN | APVD | |
| AD | 39 | H3 | REVISED PER ECO-11-004820 | | 11MAR11 | RK | HMR |



- 1 CAVITY LOCATION DIMENSIONS INCREASE IN INCREMENTS OF 2.54[.100] TOLERANCE NON-CUMULATIVE.
- 2 USE EXTRACTION TOOL 91052-1 TO REMOVE RECEPTACLE CONTACTS.
- 3 THIS HOUSING IS COMPATIBLE WITH MOD II WHROUDED HEADERS.
- 4 HOUSING WILL ACCOMODATE ALL MOD IV, IV.5 AND MOD V CONTACTS.
- 5 OBSOLETE PART NUMBER.
- 6 AMP", PART NO., AND DATE CODE, MARKED(WHITE) EITHER SIDE, 1.58±.038[.046±.015] HIGH CHARACTERS.
- 7 MARK(WHITE) 1.17±0.38[.046±.015] HIGH CHARACTERS SECOND AND EVERY FIFTH CAVITY ONE SIDE.
- 8 HOUSING: GLASS FILLED NYLON, BLACK
RELIEF: GLASS FILLED NYLON, BLACK
- 9 OBSOLETE PARTS: OBSOLETE CIS STREAMLINING PER D.RENAUD/D.SINISI



| | | | | | | | |
|--|-------------|-------------------------------|--|--------------------|-----------------------|--------------------|-----------|
| THIS DRAWING IS A CONTROLLED DOCUMENT. | | DWN E.BRANDBERG 6-16-94 | | | | | |
| DIMENSIONS: mm [INCHES] | | CHK P. SREMCICH 6-16-94 | | | | | |
| TOLERANCES UNLESS OTHERWISE SPECIFIED: | | APVD - | NAME HOUSING ASSEMBLY, MOD IV, DBL ROW, 2.54[.100] | | | | |
| 0 PLC ± - 1 PLC ± - 2 PLC ± 0.13[.005] 3 PLC ± - 4 PLC ± - ANGLES ± - | | PRODUCT SPEC - | SIZE A2 | CAGE CODE 00779 | DRAWING NO C=87733 | RESTRICTED TO - | |
| MATERIAL 8 | FINISH - | WEIGHT - | CUSTOMER DRAWING | | SCALE 2:1 | SHEET 1 OF 2 | REV H3 |


THIS DRAWING IS UNPUBLISHED. RELEASED FOR PUBLICATION
 © COPYRIGHT - By - ALL RIGHTS RESERVED.

| LOC | DIST | REVISIONS | | | | | |
|-----|------|-----------|-----|-------------|------|-----|------|
| AD | 39 | P | LTR | DESCRIPTION | DATE | DWN | APVD |
| | | - | | SEE SHEET 1 | - | - | - |

| | | | | | | |
|---------|------------------|------------------|------------------|------------|----|-------------|
| NONE | 81.28 [3.200] | 38.10 [1.500] | 40.64 [1.600] | 64 | △5 | 5-87733-0 |
| NONE | 73.66 [2.900] | 35.56 [1.400] | 35.56 [1.400] | 58 | △5 | 4-87733-9 |
| NONE | 71.12 [2.800] | 33.02 [1.300] | 35.56 [1.400] | 56 | △5 | 4-87733-8 |
| NONE | 60.96 [2.400] | 27.94 [1.100] | 30.48 [1.200] | 48 | △5 | 4-87733-7 |
| NONE | 91.44 [3.600] | 43.18 [1.700] | 45.72 [1.800] | 72 | △5 | 4-87733-6 |
| NONE | 88.90 [3.500] | 43.18 [1.700] | 43.18 [1.700] | 70 | △5 | 4-87733-5 |
| NONE | 83.82 [3.300] | 40.64 [1.600] | 40.64 [1.600] | 66 | △5 | 4-87733-4 |
| NONE | 76.20 [3.000] | 35.56 [1.400] | 38.10 [1.500] | 60 | △5 | 4-87733-3 |
| NONE | 68.58 [2.700] | 33.02 [1.300] | 33.02 [1.300] | 54 | △5 | 4-87733-2 |
| NONE | 66.04 [2.600] | 30.48 [1.200] | 33.02 [1.300] | 52 | △5 | 4-87733-1 |
| NONE | 63.50 [2.500] | 30.48 [1.200] | 30.48 [1.200] | 50 | △5 | 4-87733-0 |
| NONE | 55.88 [2.200] | 25.40 [1.000] | 27.94 [1.100] | 44 | △5 | 3-87733-9 |
| NONE | 53.34 [2.100] | 25.40 [1.000] | 25.40 [1.000] | 42 | △5 | 3-87733-8 |
| NONE | 50.80 [2.000] | 22.86 [.900] | 25.40 [1.000] | 40 | △5 | 3-87733-7 |
| NONE | 48.26 [1.900] | 22.86 [.900] | 22.86 [.900] | 38 | △5 | 3-87733-6 |
| NONE | 45.72 [1.800] | 20.32 [.800] | 22.86 [.900] | 36 | △5 | 3-87733-5 |
| NONE | 43.18 [1.700] | 20.32 [.800] | 20.32 [.800] | 34 | △5 | 3-87733-4 |
| NONE | 40.64 [1.600] | 17.78 [.700] | 20.32 [.800] | 32 | △5 | 3-87733-3 |
| NONE | 38.10 [1.500] | 17.78 [.700] | 17.78 [.700] | 30 | △5 | 3-87733-2 |
| NONE | 35.56 [1.400] | 15.24 [.600] | 17.78 [.700] | 28 | △5 | 3-87733-1 |
| NONE | 33.02 [1.300] | 15.24 [.600] | 15.24 [.600] | 26 | △5 | 3-87733-0 |
| NONE | 30.48 [1.200] | 12.70 [.500] | 15.24 [.600] | 24 | △5 | 2-87733-9 |
| NONE | 27.94 [1.100] | 12.70 [.500] | 12.70 [.500] | 22 | | 2-87733-8 |
| NONE | 25.4 [1.000] | 10.16 [.400] | 12.70 [.500] | 20 | △5 | 2-87733-7 |
| ALL | 81.28 [3.200] | 38.10 [1.500] | 40.64 [1.600] | 64 | △5 | 2-87733-6 |
| MARKING | C | B | A | NO OF POSN | | PART NUMBER |

| | | | | | | |
|---------|------------------|------------------|------------------|------------|----|-------------|
| ALL | 73.66 [2.900] | 35.56 [1.400] | 35.56 [1.400] | 58 | △5 | 2-87733-5 |
| ALL | 71.12 [2.800] | 33.02 [1.300] | 35.56 [1.400] | 56 | △5 | 2-87733-4 |
| ALL | 60.96 [2.400] | 27.94 [1.100] | 30.48 [1.200] | 48 | △5 | 2-87733-3 |
| - | - | - | - | - | | - |
| - | - | - | - | - | | - |
| ALL | 91.44 [3.600] | 43.18 [1.700] | 45.72 [1.800] | 72 | △5 | 2-87733-0 |
| ALL | 88.90 [3.500] | 43.18 [1.700] | 43.18 [1.700] | 70 | △5 | 1-87733-9 |
| ALL | 83.82 [3.300] | 40.64 [1.600] | 40.64 [1.600] | 66 | △5 | 1-87733-8 |
| ALL | 76.20 [3.000] | 35.56 [1.400] | 38.10 [1.500] | 60 | | 1-87733-7 |
| ALL | 68.58 [2.700] | 33.02 [1.300] | 33.02 [1.300] | 54 | △5 | 1-87733-6 |
| ALL | 66.04 [2.600] | 30.48 [1.200] | 33.02 [1.300] | 52 | △5 | 1-87733-5 |
| ALL | 63.50 [2.500] | 30.48 [1.200] | 30.48 [1.200] | 50 | | 1-87733-4 |
| ALL | 55.88 [2.200] | 25.40 [1.000] | 27.94 [1.100] | 44 | △5 | 1-87733-3 |
| ALL | 53.34 [2.100] | 25.40 [1.000] | 25.40 [1.000] | 42 | △5 | 1-87733-2 |
| ALL | 50.80 [2.000] | 22.86 [.900] | 25.40 [1.000] | 40 | | 1-87733-1 |
| ALL | 48.26 [1.900] | 22.86 [.900] | 22.86 [.900] | 38 | △5 | 1-87733-0 |
| ALL | 45.72 [1.800] | 20.32 [.800] | 22.86 [.900] | 36 | △5 | 87733-9 |
| ALL | 43.18 [1.700] | 20.32 [.800] | 20.32 [.800] | 34 | | 87733-8 |
| ALL | 40.64 [1.600] | 17.78 [.700] | 20.32 [.800] | 32 | | 87733-7 △9 |
| ALL | 38.10 [1.500] | 17.78 [.700] | 17.78 [.700] | 30 | | 87733-6 |
| ALL | 35.56 [1.400] | 15.24 [.600] | 17.78 [.700] | 28 | △5 | 87733-5 |
| ALL | 33.02 [1.300] | 15.24 [.600] | 15.24 [.600] | 26 | | 87733-4 |
| ALL | 30.48 [1.200] | 12.70 [.500] | 15.24 [.600] | 24 | | 87733-3 |
| ALL | 27.94 [1.100] | 12.70 [.500] | 12.70 [.500] | 22 | △5 | 87733-2 |
| ALL | 25.4 [1.000] | 10.16 [.400] | 12.70 [.500] | 20 | | 87733-1 |
| MARKING | C | B | A | NO OF POSN | | PART NUMBER |

THIS DRAWING IS A CONTROLLED DOCUMENT.

| | |
|--------------------------------|---|
| DWN E. BRANDBERG 6-16-94 |  TE Connectivity HOUSING ASSEMBLY, MOD IV, DBL ROW, 2.54[.100] |
| CHK P. SREMCICH 6-16-94 | |
| APVD - | |
| NAME | |
| PRODUCT SPEC - | SIZE A2 |
| APPLICATION SPEC - | CAGE CODE 00779 |
| WEIGHT - | DRAWING NO C=87733 |
| CUSTOMER DRAWING | RESTRICTED TO - |

SCALE 2:1 SHEET 2 OF 2 REV H3

Mouser Electronics

Authorized Distributor

Click to View Pricing, Inventory, Delivery & Lifecycle Information:

[TE Connectivity:](#)

[87733-8](#)