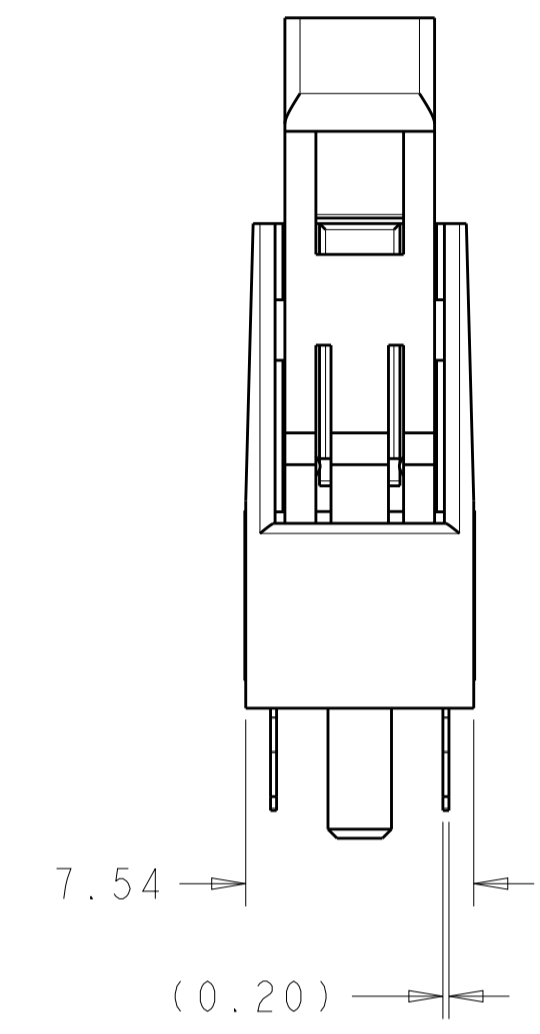
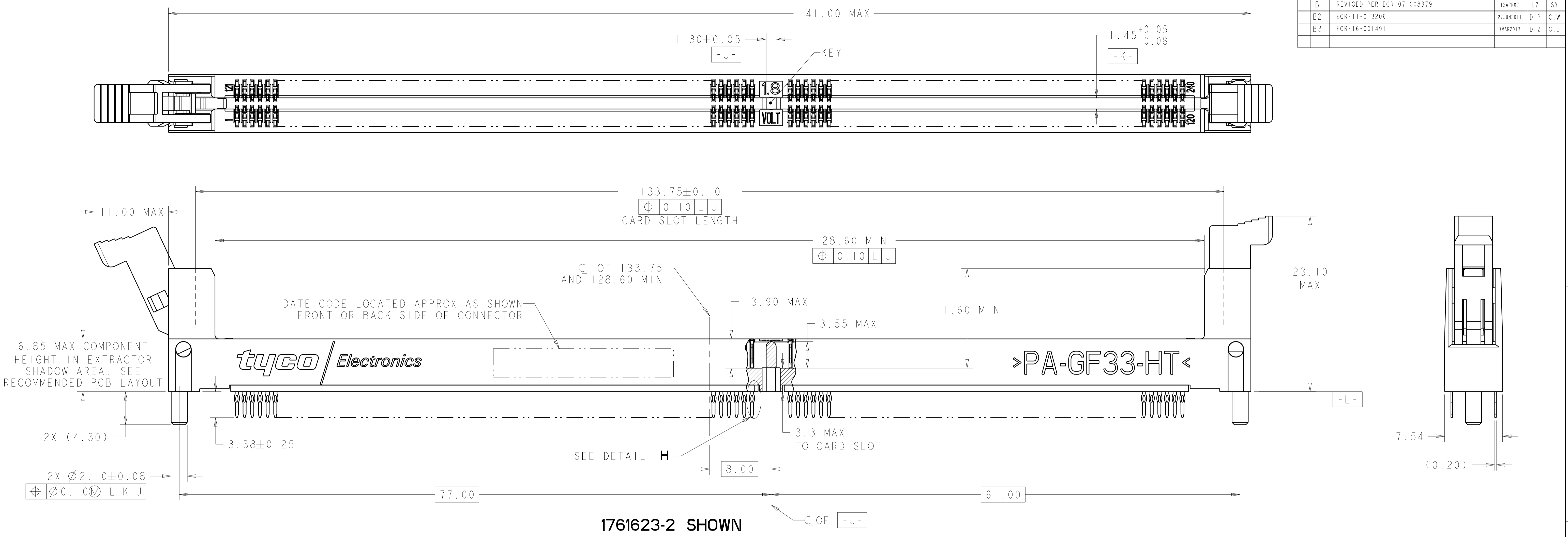
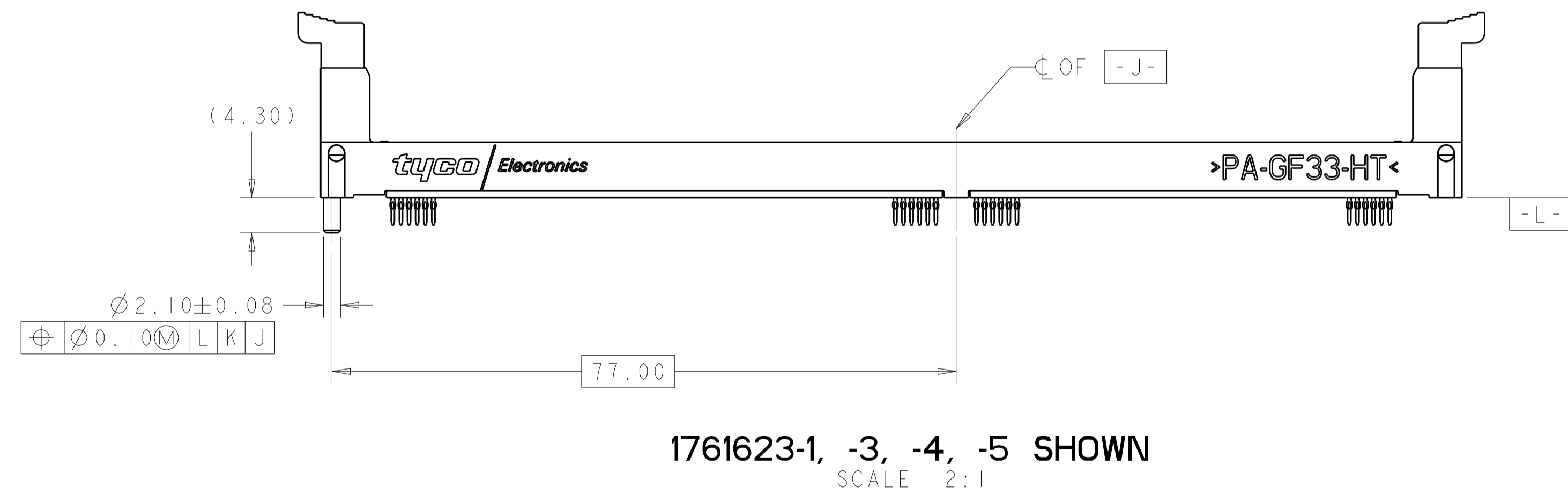


LOC	DIST	REVISIONS					
GP	00	P	LTN	DESCRIPTION	DATE	DWN	APVD
B				REVISED PER ECR-07-008379	12APR07	LZ	SY
B2				ECR-11-013206	27JUN2011	D.P	C.W
B3				ECR-16-001491	3MAR2017	D.Z	S.L



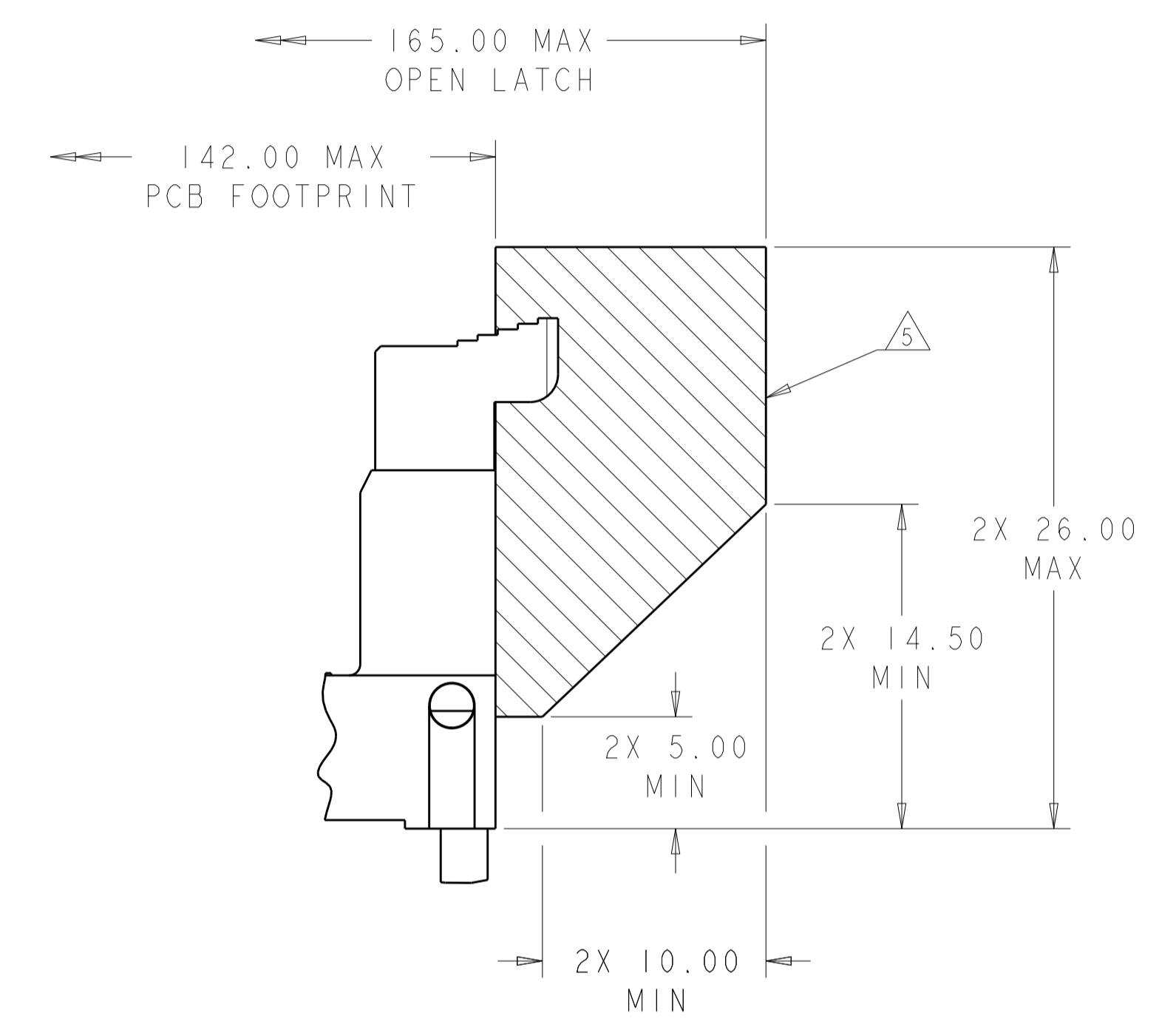
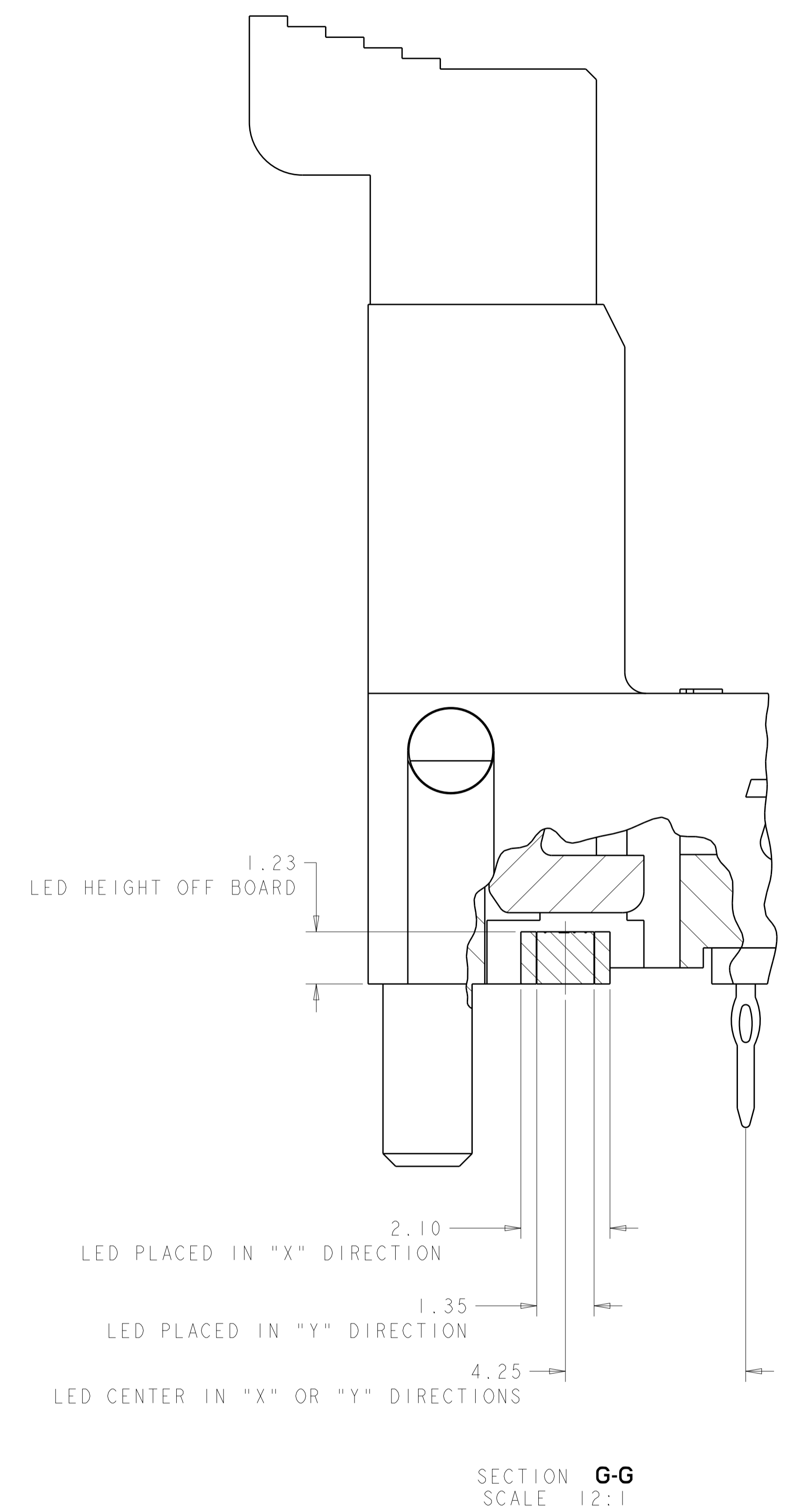
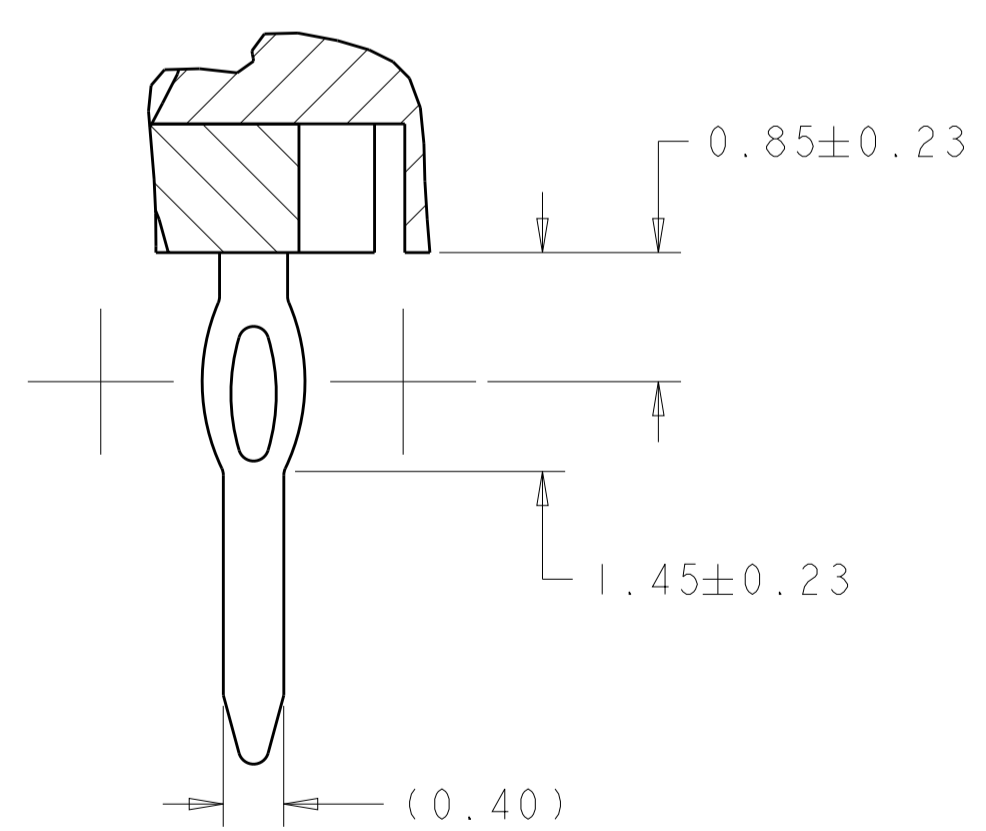
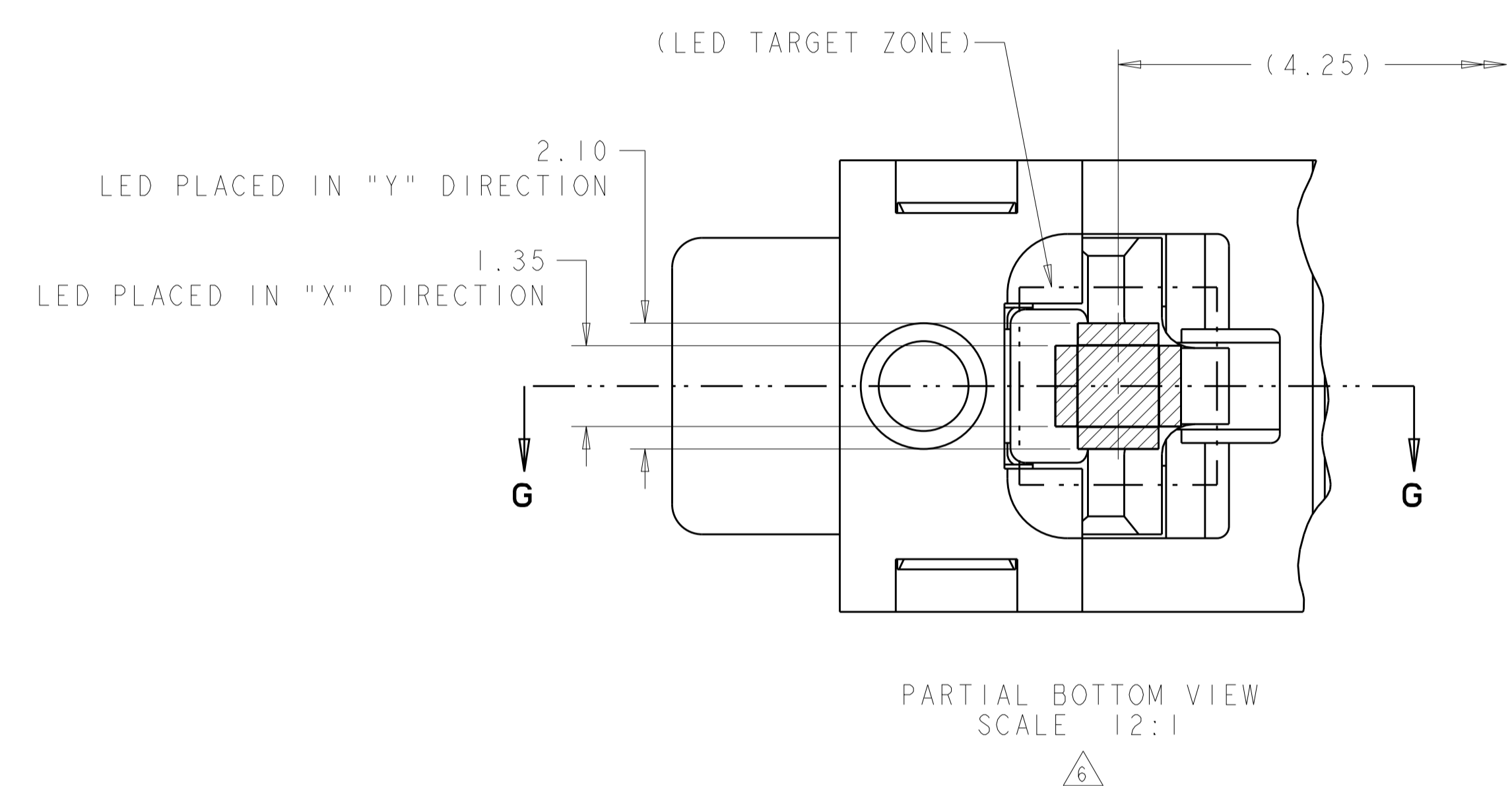
- MATERIALS:**
- HOUSING: HIGH TEMPERATURE, UL94 V-0
  - EXTRACTOR: HIGH TEMPERATURE THERMOPLASTIC,
  - CONTACTS: COPPER ALLOY
  - SUPPORT PLATE: LCP, UL94 V-0
- INTERFACE FINISH:** 0.00076 MIN THK GOLD OVER 0.00127 MIN THICK NICKEL.
- FINISHED HOLE SIZE:** 0.15 MAXIMUM ANNULAR RING.  
 COPPER PLATING: 0.025-0.050  
 TIN-LEAD PLATING: 0.0038-0.0124  
 FOR PTH TIN-LEAD PLATING ONLY, FINISHED HOLE TOLERANCE MAY BE +.05/- .058 IN ZONE 1, AND ±0.076 IN ZONE 11
- KEEP OUT ZONE.**
- KEEP OUT AREA RESERVED FOR SOCKET EXTRACTORS, BOTH ENDS.**
- LED LOCATION AS APPLICABLE PER CUSTOMER.**
7. APPROXIMATE SEATING FORCE WILL BE 3781-5338N [850-1200 lb] FOR THE 240 POSITION SOCKET ASSEMBLY.
8. HOLE INDICATED IS PART OF THE STANDARD 240 POSITION FOOTPRINT. REQUIRED FOR THE SOLDERTAIL VERSION. MAY BE OMITTED FOR THE PRESS FIT VERSIONS.
9. HOLE INDICATED IS PART OF THE STANDARD 240 POSITION FOOTPRINT. REQUIRED FOR SOLDERTAIL AND -2 PRESS FIT VERSIONS. MAY BE OMITTED FOR -1 & -3 PRESS FIT VERSIONS.
10. COMPLIANT PIN FINISH: 0.00254 MIN THICK MATTE TIN OVER 0.00127 MIN THICK NICKEL.
11. COMPLIANT PIN FINISH: 0.00254 MIN THICK BRIGHT TIN LEAD OVER 0.00127 MIN THICK NICKEL.
12. COMPLIES WITH JEDEC SO-003.



	▲	NATURAL	AMBER	NATURAL	1 POST	1761623-5
OBSOLETE	▲	-BLACK	AMBER	BLACK	1 POST	+761623-4-
OBSOLETE	▲	-BLACK	NATURAL	BLACK	1 POST	+761623-3-
OBSOLETE	▲	-BLACK	NATURAL	BLACK	2 POSTS	+761623-2-
OBSOLETE	▲	-BLACK	NATURAL	BLACK	1 POST	+761623-1-
	▲	COMPLIANT PIN	SUPPORT PLATE COLOR	EXTRACTOR COLOR	HOUSING COLOR	DESCRIPTION
	▲					PART NUMBER

DIMENSIONS: mm 		TOLERANCES UNLESS OTHERWISE SPECIFIED: 0 PLC ±.5 1 PLC ±0.13 2 PLC ±0.13 3 PLC ±0.013 4 PLC ±0.001 ANGLES ±.1 FINISH		DWN D. RINGLER 10AUG2006 CHK J. PENNYPACKER 10AUG2006 APVD M. ROWERS 22DEC2006		Tyco Electronics Harrisburg, PA 17105-3608	
MATERIAL:		WEIGHT:		SIZE: 114-13167		RESTRICTED TO:	
CUSTOMER DRAWING		SCALE: 4:1		SHEET 1 OF 3		REV B3	

LOC	DIST	REVISIONS			
P	LTN	DESCRIPTION	DATE	DMN	APVD
GP	00	SEE SHEET 1			



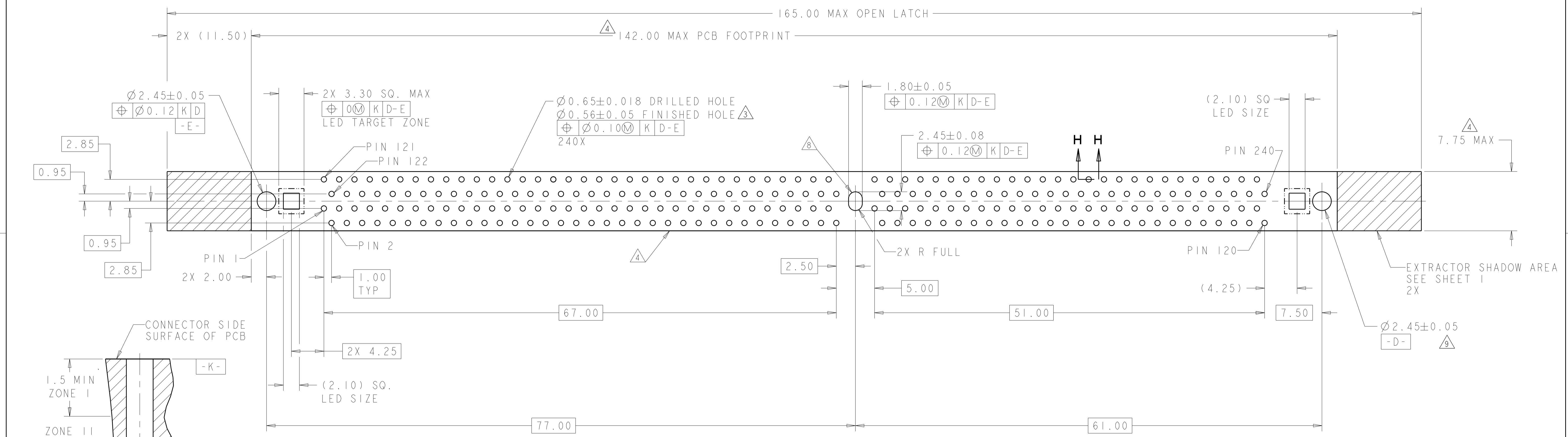
1761623-2 SHOWN

<small>THIS DRAWING IS UNPUBLISHED. RELEASED FOR PUBLICATION BY TYCO ELECTRONICS CORPORATION. ALL RIGHTS RESERVED.</small>		DWN D. RINGLER 10AUG2006 CHK J. PENNYPACKER 10AUG2006 APVD M. ROWERS 22DEC2006	<b>tyco</b> Electronics Tyco Electronics Harrisburg, PA 17105-3608
DIMENSIONS: mm 	TOLERANCES UNLESS OTHERWISE SPECIFIED: 0 PLC ± 1 PLC ±0.5 2 PLC ±0.13 3 PLC ±0.013 4 PLC ±0.001 ANGLES ±0.0001	NAME PRODUCT SPEC APPLICATION SPEC CAGE CODE DRAWING NO WEIGHT CUSTOMER DRAWING	SOCKET ASSEMBLY, VERTICAL FB DIMM, PRESS FIT, 240 POSITION SIZE A 00779 C=1761623 SCALE 4:1 SHEET 2 OF 3 REV B.3

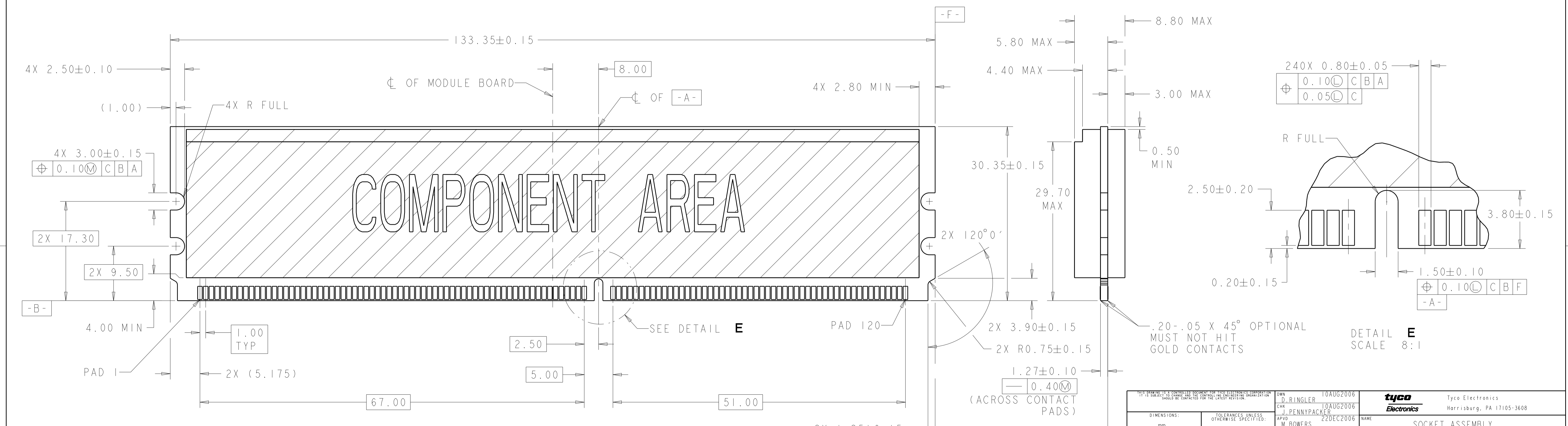
LOC	DIST	REV	DATE	BY	APPV
GP	00				

REVISIONS			
REV	DATE	BY	APPV
-	-	-	-
-	-	-	-



RECOMMENDED PCB LAYOUT  
 VIEWED FROM CONNECTOR SIDE  
 NOTE: REFER TO JEDEC SO-003 FOR COMPLETE PCB LAYOUT



RECOMMENDED MODULE LAYOUT  
 SCALE 3:1  
 NOTE: REFER TO JEDEC MO-256 FOR COMPLETE MODULE DETAILS.

DIMENSIONS: mm 		TOLERANCES UNLESS OTHERWISE SPECIFIED: 0 PLC ±.5 1 PLC ±0.5 3 PLC ±0.13 4 PLC ±0.013 ANGLES ±0.0001		DWN: D. RINGLER 10AUG2006 CHK: J. PENNYPACKER 10AUG2006 APVD: M. BOWERS 22DEC2006 PRODUCT SPEC: 108-2245 APPLICATION SPEC: 114-13167 WEIGHT: - CUSTOMER DRAWING		Tyco Electronics Harrisburg, PA 17105-3608 NAME: SOCKET ASSEMBLY, VERTICAL FB DIMM, PRESS FIT, 240 POSITION SIZE: A1 CAGE CODE: 00779 DRAWING NO: 1761623 SCALE: 4:1 SHEET: 3 OF 3 REV: B3	
-----------------------	--	--	--	---	--	--	--

# Mouser Electronics

Authorized Distributor

Click to View Pricing, Inventory, Delivery & Lifecycle Information:

[TE Connectivity:](#)

[1761623-5](#)