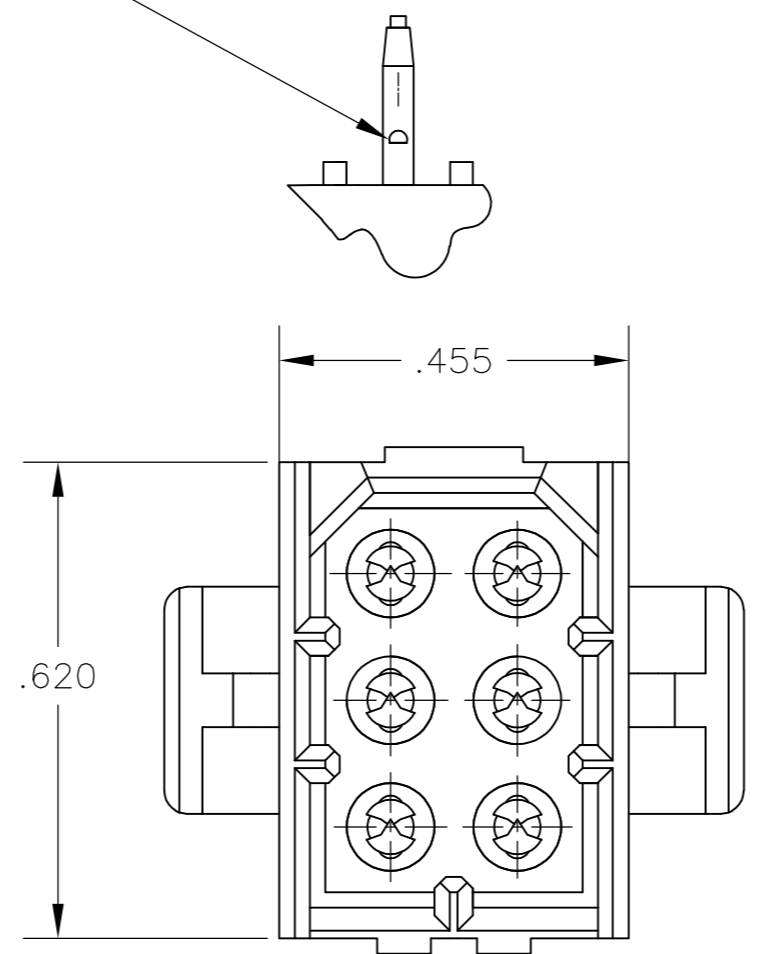
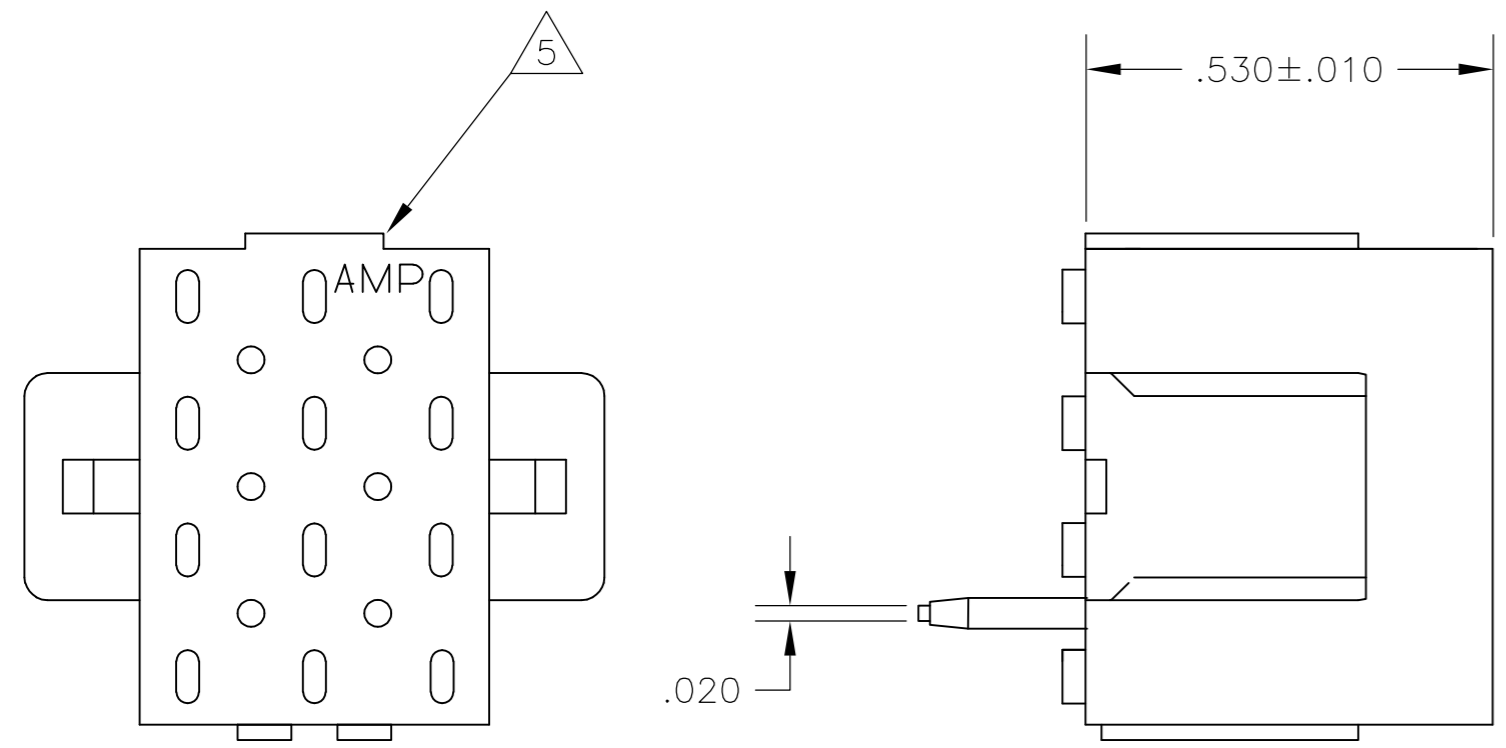


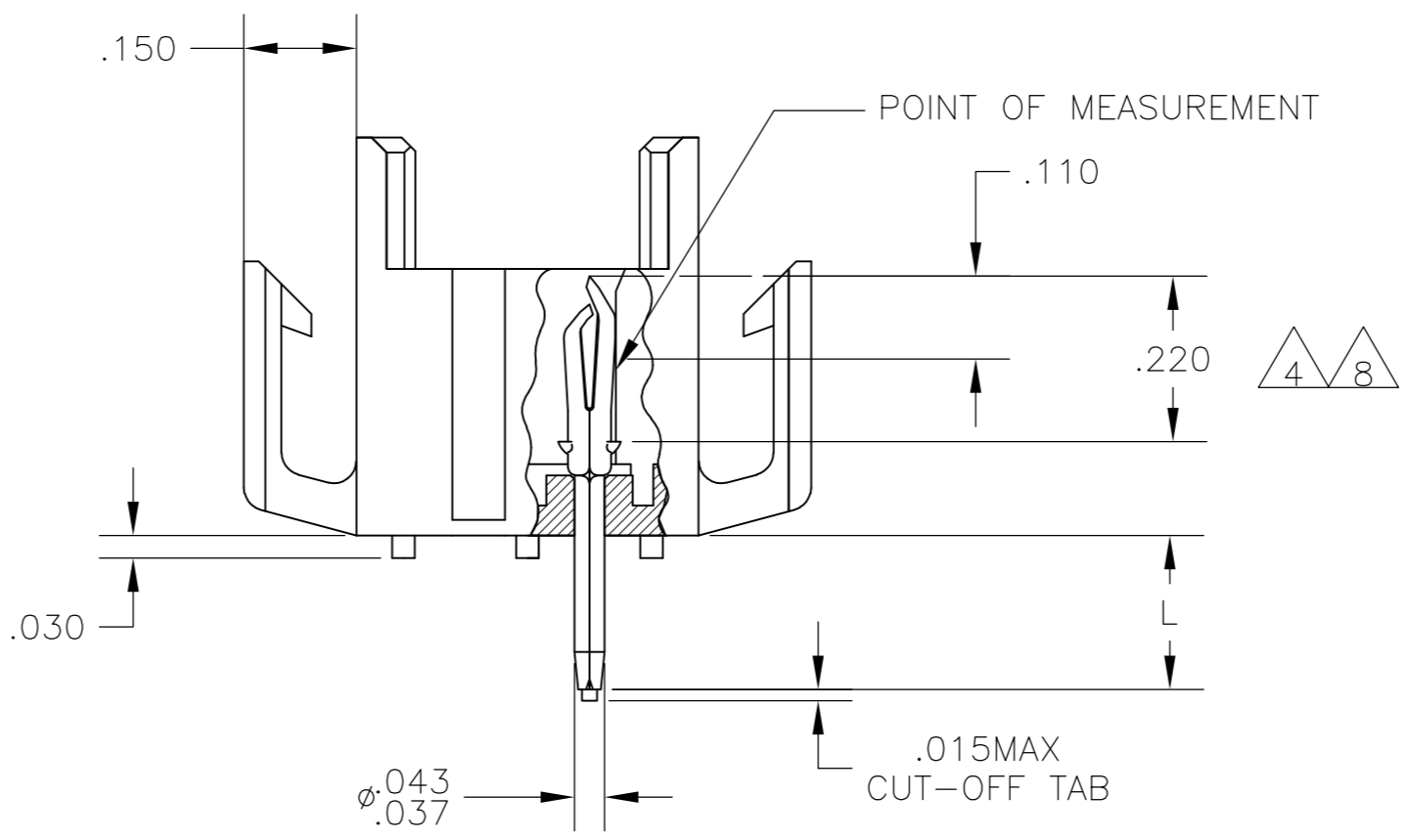
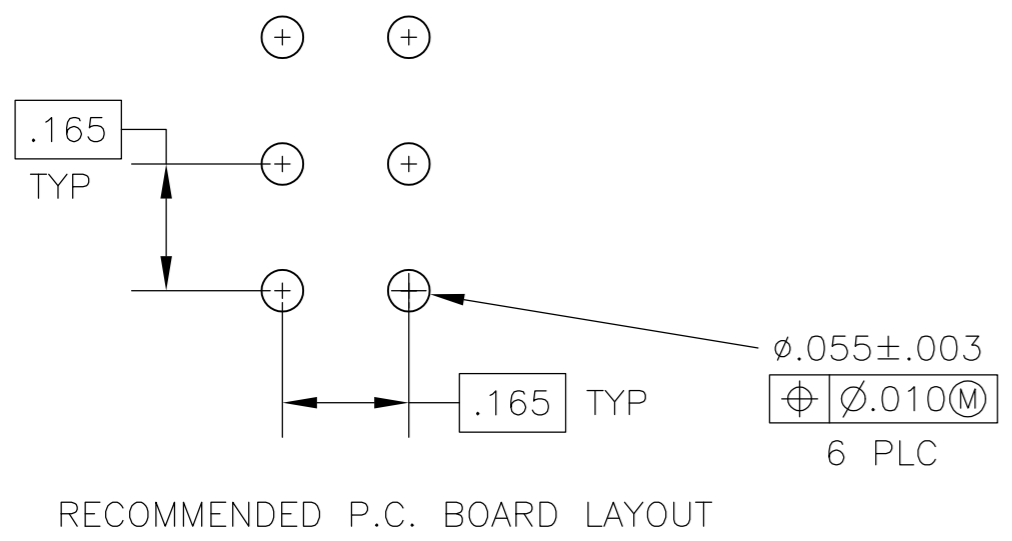
THIS DRAWING IS UNPUBLISHED. RELEASED FOR PUBLICATION  
 © COPYRIGHT - By - ALL RIGHTS RESERVED.

REVISIONS					
P	LTR	DESCRIPTION	DATE	DWN	APVD
P		REVISED PER ECO-16-004940	08AUG2016	NK	MZ

ANTI SOLDER WICKING TAB



- 1 FITS SOCKET HOUSING 640520.
- 2 ASSEMBLY CONFORMS TO AMP SOLDERABILITY SPEC. 109-11-3.
- 3 FOR USE WITH .063 THICK P.C. BOARD.
- 4 CONTACT IS PLATED OVERALL WITH.000050 NICKEL, THEN .000030 GOLD OVER CONTACT LENGTH INDICATED AND .000150 MATTE TIN-LEAD ON SOLDER TAIL END.
- 5 UL AND CSA LOGO LOCATED ON THIS SURFACE.
- 6 FOR USE WITH .120 THICK P.C. BOARD.
- 7 FOR USE WITH .093 THICK P.C. BOARD.
- 8 CONTACT IS PLATED OVERALL WITH.000050 NICKEL, THEN .000030 GOLD OVER CONTACT LENGTH INDICATED AND .000150 MATTE TIN ON SOLDER TAIL END.



OBsolete	Thickness	Color	Finish	Part Number
	.180	BRICK RED	GOLD	2-640500-6
	.210	BRICK RED	GOLD	2-640500-4
	.150	BRICK RED	GOLD	2-640500-2
	.180	BRICK RED	GOLD	640500-6
	.180	BRICK RED	PRE-TIN	640500-5
	.210	BRICK RED	GOLD	640500-4
	.210	BRICK RED	PRE-TIN	640500-3
	.150	BRICK RED	GOLD	640500-2
	.150	BRICK RED	PRE-TIN	640500-1
	"L" +.010 -.020	HOUSING COLOR	PIN FINISH	PART NUMBER

IN	MM	IN	MM	IN	MM	IN	MM
.010	0.25	.055	1.40	.210	5.33	-	-
.008	0.20	.043	1.09	.180	4.57	-	-
.005	0.13	.037	0.94	.165	4.19	.620	15.75
.003	0.08	.030	0.76	.150	3.81	.530	13.46
.000050	0.00127	.020	0.51	.110	2.79	.455	11.56
.000030	0.00076	.015	0.38	.063	1.60	.220	5.59
IN	MM	IN	MM	IN	MM	IN	MM

CONVERSION TABLE

THIS DRAWING IS A CONTROLLED DOCUMENT.

DWN: J. HUFFMAN 28APR98  
 CHK: R. SWING 28APR98  
 APVD: T. BEDDICK 28APR98

MATERIAL: HOUSING:FLAME RETARDANT NYLON UL 94V-0 PIN:008 PH. BRZ. FINISH: SEE TABLE

TE Connectivity  
 NAME: HEADER ASSEMBLY, PIN, 6 POSITION, MR.  
 SIZE: A2 CAGE CODE: 00779 DRAWING NO: 640500 RESTRICTED TO: -  
 SCALE: 4:1 SHEET: 1 of 1 REV: P

# Mouser Electronics

Authorized Distributor

Click to View Pricing, Inventory, Delivery & Lifecycle Information:

[TE Connectivity:](#)

[640500-5](#)