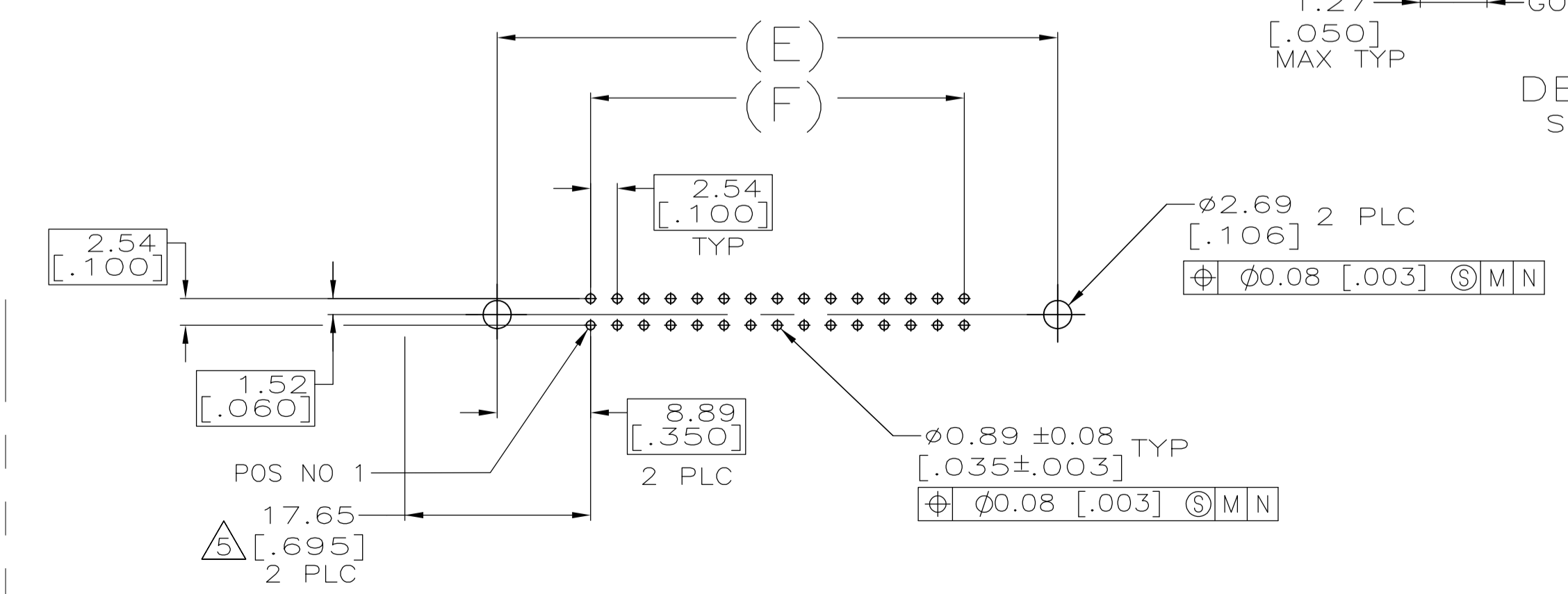
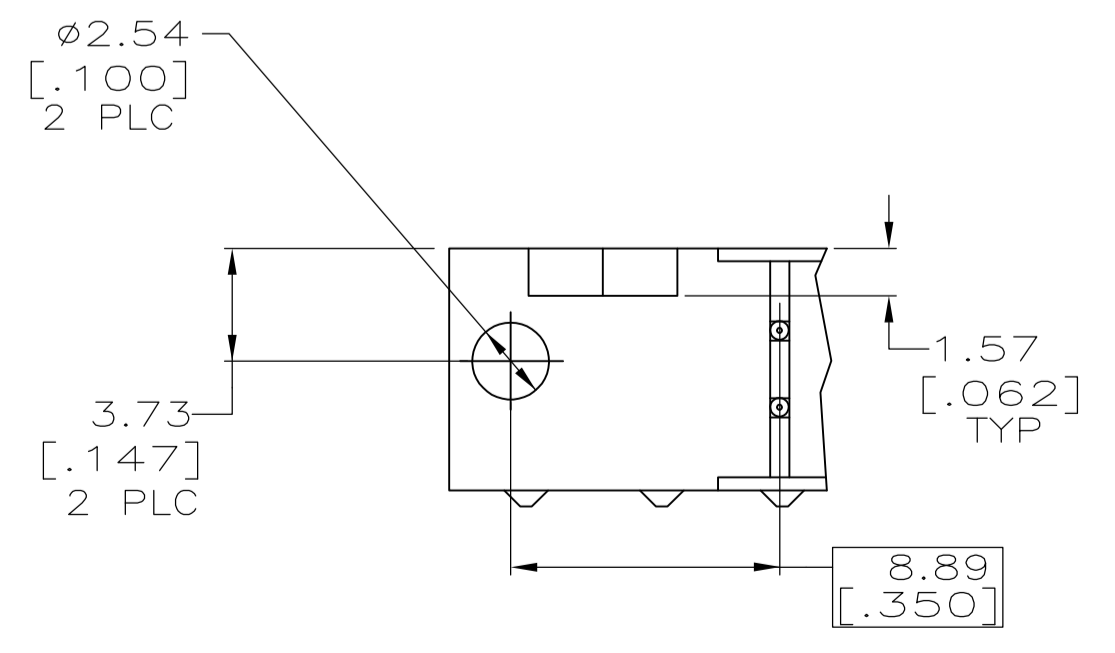
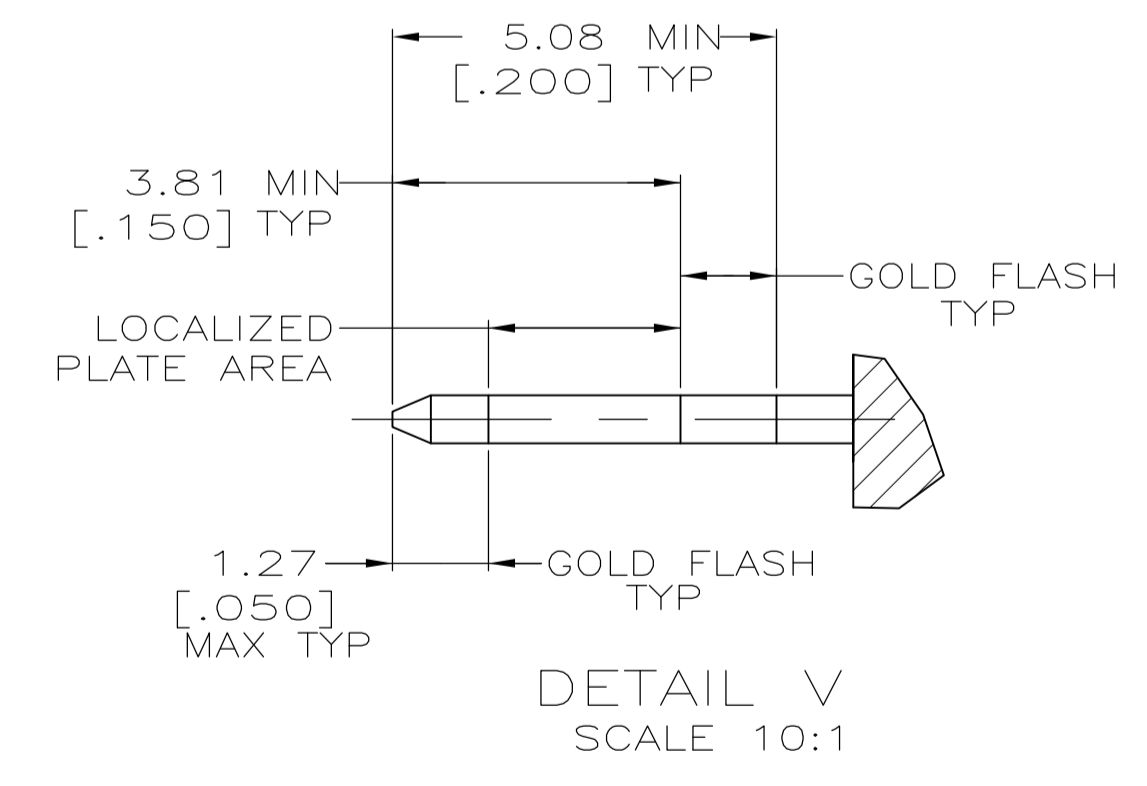
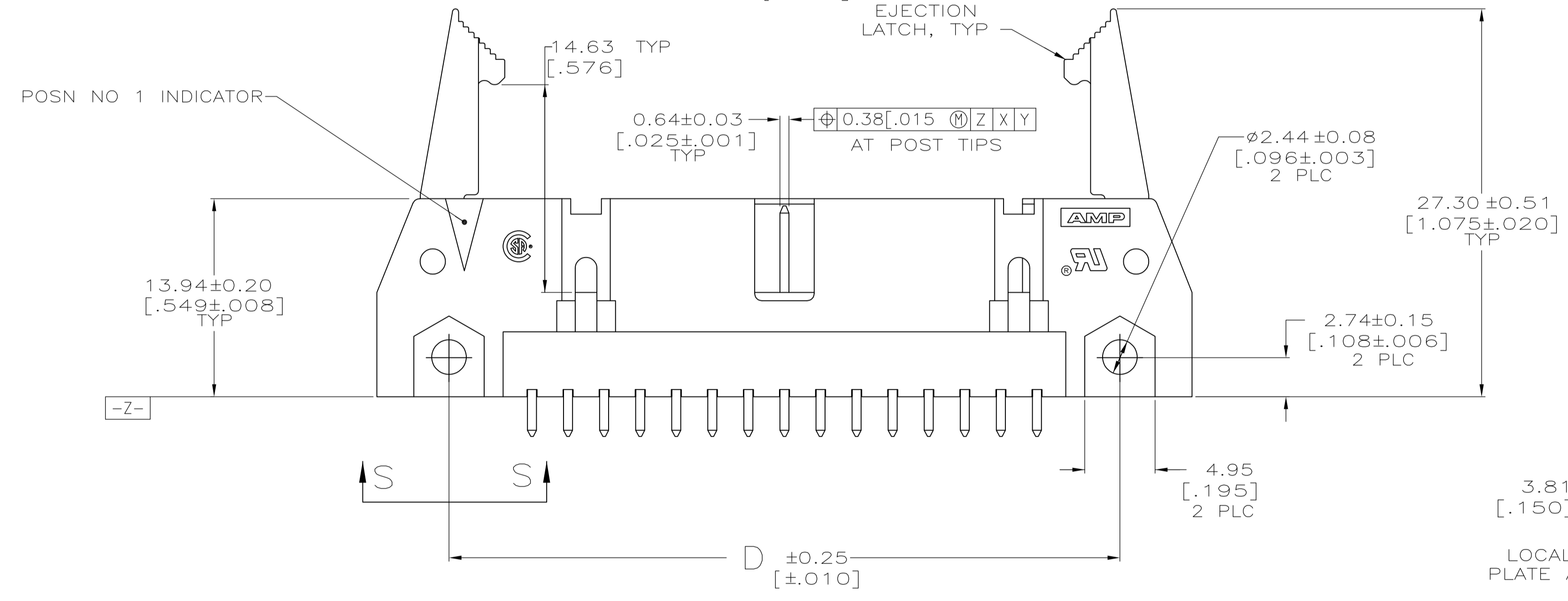
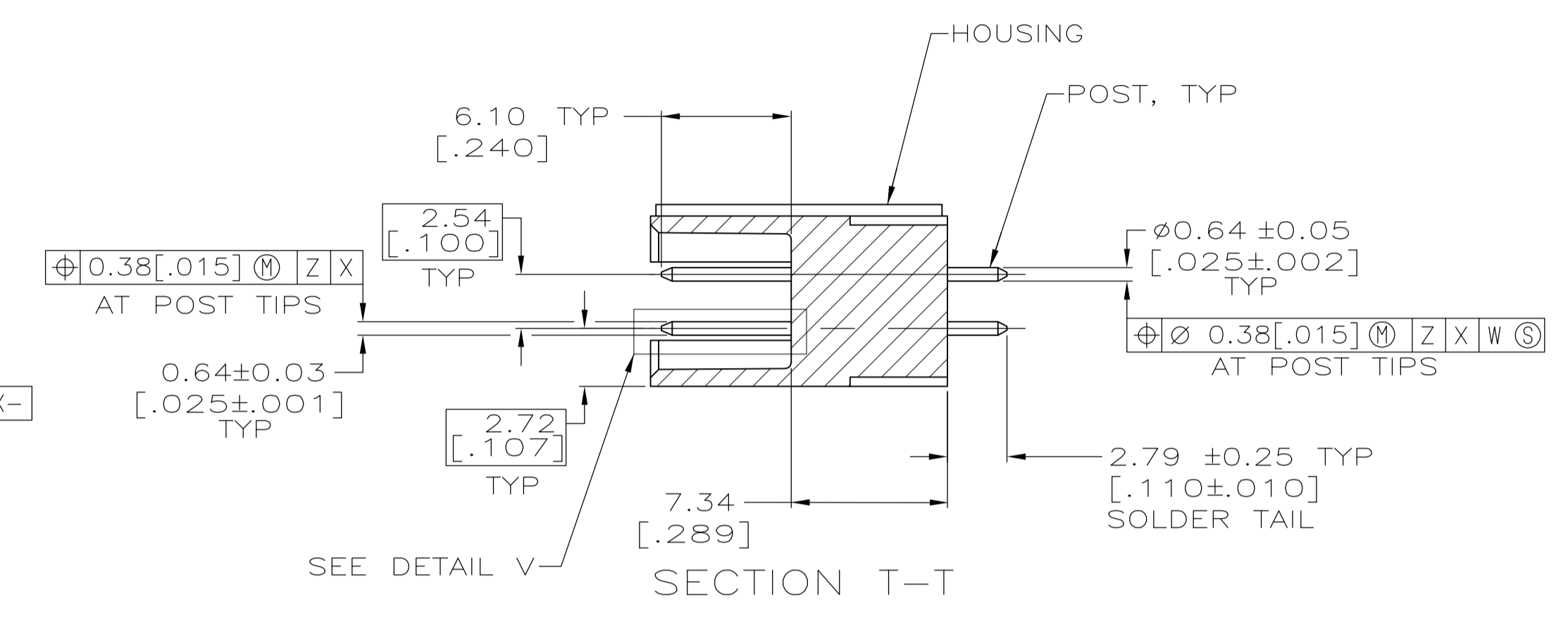
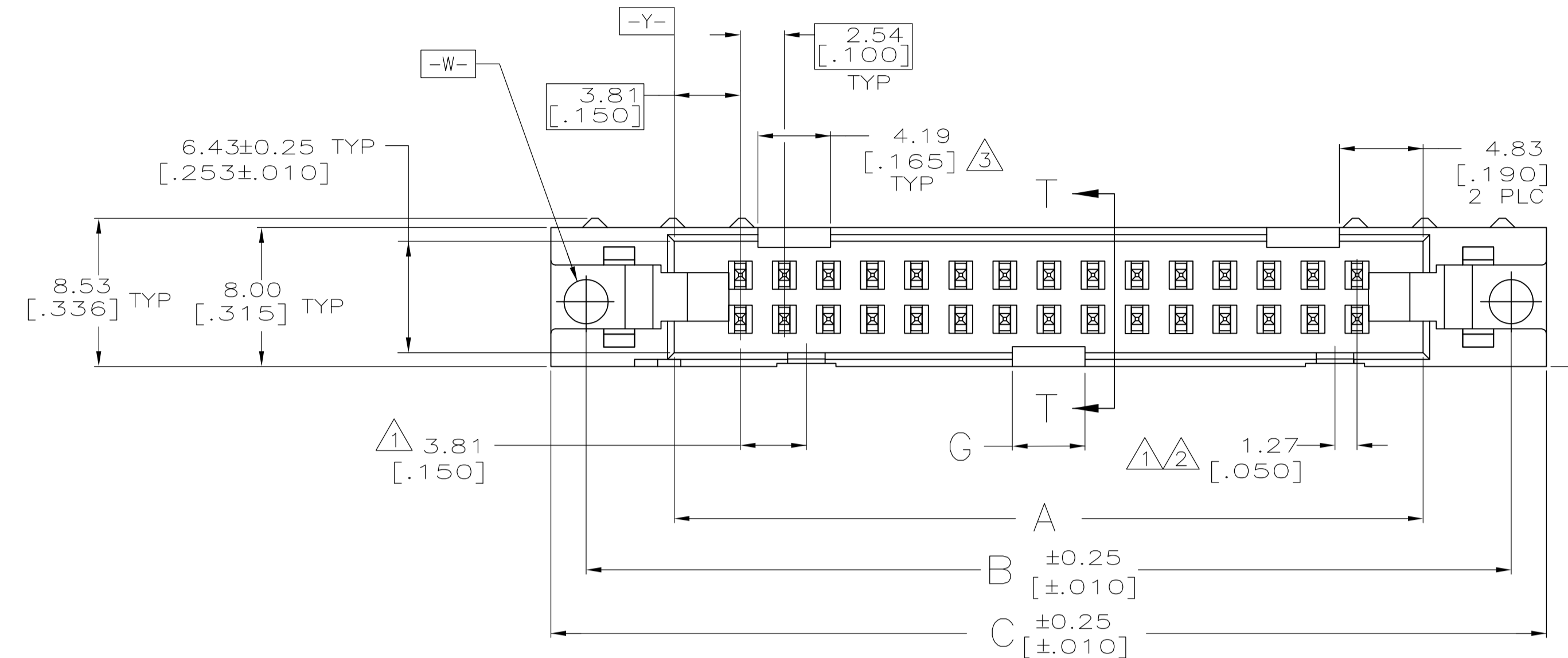


EJECTION LATCHES OMITTED IN THIS VIEW FOR CLARITY



SEE SHEET 2 FOR TABLE & NOTES

|  |            |                          |                     |              |
|--|------------|--------------------------|---------------------|--------------|
| THIS DRAWING IS A CONTROLLED DOCUMENT. |            | DIN L VARELA - 01-07-05  | STE TE Connectivity |              |
| DIMENSIONS: mm (INCHES)                |            | CHK S BOLASH 01-07-05    | NAME                |              |
| TOLERANCES UNLESS OTHERWISE SPECIFIED: |            | APPD M WALMSLEY 01-07-05 | PRODUCT SPEC        |              |
| 0 PLC ± -                              | 1 PLC ± -  | 108-40018                |                     |              |
| 2 PLC ± 0.13[.005]                     | 3 PLC ± -  | APPLICATION SPEC         |                     |              |
| 4 PLC ± -                              | ANGLES ± - | SIZE                     | CAGE CODE           | DRAWING NO   |
| MATERIAL                               | FINISH     | WEIGHT                   | A1 00779            | 5499206      |
| CUSTOMER DRAWING                       |            | SCALE                    | 4:1                 | SHEET 1 OF 2 |
|  |            | REV                      | E1                  |              |

- ① COORDINATE DIMENSION APPLIES FROM BASIC LOCATION.
- ② 6 POSITION SIZE DOES NOT HAVE SLOTS FOR SNAP-IN POLARIZER (MILITARY POLARIZATION). 10 AND 14 POSITION SIZES CONTAIN ONLY ONE SLOT FOR SNAP-IN POLARIZER (MILITARY POLARIZATION) LOCATED AS SHOWN.
- ③ 6 POSITION SIZE DOES NOT HAVE SLOTS FOR DUAL POLARIZATION. 10 POSITION SIZES CONTAIN ONLY ONE SLOT FOR DUAL POLARIZATION, LOCATED AS SHOWN.
- 4. RECOMMENDED PRINTED CIRCUIT BOARD THICKNESS IS 1.57 [.062].
- ⑤ DISTANCE REQUIRED BY EJECTION LATCHES IN THE OPEN POSITION.
- ⑥ HOUSING & LATCHES: GLASS FILLED NYLON OR POLYESTER, UL 94V-0 RATED, SEE TABLE FOR COLOR. POSTS: PHOS BRONZE OR BRASS.
- ⑦ POSTS: GOLD FLASH OVER PALLADIUM-NICKEL PLATE, 0.76 $\mu$ m[.000030] MIN TOTAL ON THE LOCALIZED PLATE AREA, 2.54 $\mu$ m[.000100] MIN TIN PLATE ON THE SOLDER-TAIL, 1.27 $\mu$ m[.000050] MIN NICKEL UNDERPLATE ON THE ENTIRE POST.  
-OR-  
0.76 $\mu$ m[.000030] MIN GOLD PLATE ON THE LOCALIZED PLATE AREA, 2.54 $\mu$ m[.000100] MIN TIN PLATE ON THE SOLDER-TAIL, 1.27 $\mu$ m[.000050] MIN NICKEL UNDERPLATE ON THE ENTIRE POST.
- ⑧ DATUMS -M- & -N- TO BE ESTABLISHED BY CUSTOMER.
- ⑨ DEVELOPMENT PART NUMBER, REV 1 - NOT RELEASED FOR PRODUCTION.

|          |                           |                |                  |                  |                  |                   |                  |                  |           |                  |
|----------|---------------------------|----------------|------------------|------------------|------------------|-------------------|------------------|------------------|-----------|------------------|
|          | BLUE                      | 2.76<br>[.110] | 5.08<br>[.200]   | 22.86<br>[.900]  | 16.76<br>[.660]  | 26.92<br>[1.060]  | 22.86<br>[.900]  | 12.70<br>[.500]  | 6         | ⑨<br>3-5499206-4 |
|          | BLUE                      |                | 53.34<br>[2.100] | 71.12<br>[2.800] | 65.02<br>[2.560] | 75.18<br>[2.960]  | 71.12<br>[2.800] | 60.96<br>[2.400] | 44        | 3-5499206-3      |
| OBSOLETE | BLUE                      |                | 78.74<br>[3.100] | 96.52<br>[3.800] | 90.42<br>[3.560] | 100.58<br>[3.960] | 96.52<br>[3.800] | 86.36<br>[3.400] | 64        | 3-5499206-2      |
|          | BLUE                      |                | 73.66<br>[2.900] | 91.44<br>[3.600] | 85.34<br>[3.360] | 95.50<br>[3.760]  | 91.44<br>[3.600] | 81.28<br>[3.200] | 60        | 3-5499206-1      |
|          | BLUE                      |                | 60.96<br>[2.400] | 78.74<br>[3.100] | 72.64<br>[2.860] | 82.80<br>[3.260]  | 78.74<br>[3.100] | 68.58<br>[2.700] | 50        | 3-5499206-0      |
|          | BLUE                      |                | 48.26<br>[1.900] | 66.04<br>[2.600] | 59.94<br>[2.360] | 70.10<br>[2.760]  | 66.04<br>[2.600] | 55.88<br>[2.200] | 40        | 2-5499206-9      |
|          | BLUE                      |                | 40.64<br>[1.600] | 58.42<br>[2.300] | 52.32<br>[2.060] | 62.48<br>[2.460]  | 58.42<br>[2.300] | 48.26<br>[1.900] | 34        | 2-5499206-8      |
| OBSOLETE | BLUE                      |                | 35.56<br>[1.400] | 53.34<br>[2.100] | 47.24<br>[1.860] | 57.40<br>[2.260]  | 53.34<br>[2.100] | 43.18<br>[1.700] | 30        | 2-5499206-7      |
|          | BLUE                      |                | 30.48<br>[1.200] | 48.26<br>[1.900] | 42.16<br>[1.660] | 52.32<br>[2.060]  | 48.26<br>[1.900] | 38.10<br>[1.500] | 26        | 2-5499206-6      |
|          | BLUE                      |                | 22.86<br>[.900]  | 40.64<br>[1.600] | 34.54<br>[1.360] | 44.70<br>[1.760]  | 40.64<br>[1.600] | 30.48<br>[1.200] | 20        | 2-5499206-4      |
|          | BLUE                      |                | 17.78<br>[.700]  | 35.56<br>[1.400] | 29.46<br>[1.160] | 39.62<br>[1.560]  | 35.56<br>[1.400] | 25.40<br>[1.000] | 16        | 2-5499206-3      |
|          | BLUE                      |                | 15.24<br>[.600]  | 33.02<br>[1.300] | 26.92<br>[1.060] | 37.08<br>[1.460]  | 33.02<br>[1.300] | 22.86<br>[.900]  | 14        | 2-5499206-2      |
|          | BLUE                      |                | 10.16<br>[.400]  | 27.94<br>[1.100] | 21.84<br>[.860]  | 32.00<br>[1.260]  | 27.94<br>[1.100] | 17.78<br>[.700]  | 10        | 2-5499206-1      |
|          | BLACK                     |                | 78.74<br>[3.100] | 96.52<br>[3.800] | 90.42<br>[3.560] | 100.58<br>[3.960] | 96.52<br>[3.800] | 86.36<br>[3.400] | 64        | 1-5499206-2      |
|          | BLACK                     | 4.19<br>[.165] | 73.66<br>[2.900] | 91.44<br>[3.600] | 85.34<br>[3.360] | 95.50<br>[3.760]  | 91.44<br>[3.600] | 81.28<br>[3.200] | 60        | 1-5499206-1      |
|          | BLACK                     |                | 60.96<br>[2.400] | 78.74<br>[3.100] | 72.64<br>[2.860] | 82.80<br>[3.260]  | 78.74<br>[3.100] | 68.58<br>[2.700] | 50        | 1-5499206-0      |
|          | BLACK                     |                | 48.26<br>[1.900] | 66.04<br>[2.600] | 59.94<br>[2.360] | 70.10<br>[2.760]  | 66.04<br>[2.600] | 55.88<br>[2.200] | 40        | 5499206-9        |
|          | BLACK                     |                | 40.64<br>[1.600] | 58.42<br>[2.300] | 52.32<br>[2.060] | 62.48<br>[2.460]  | 58.42<br>[2.300] | 48.26<br>[1.900] | 34        | 5499206-8        |
|          | BLACK                     |                | 35.56<br>[1.400] | 53.34<br>[2.100] | 47.24<br>[1.860] | 57.40<br>[2.260]  | 53.34<br>[2.100] | 43.18<br>[1.700] | 30        | 5499206-7        |
|          | BLACK                     |                | 30.48<br>[1.200] | 48.26<br>[1.900] | 42.16<br>[1.660] | 52.32<br>[2.060]  | 48.26<br>[1.900] | 38.10<br>[1.500] | 26        | 5499206-6        |
|          | BLACK                     |                | 27.94<br>[1.100] | 45.72<br>[1.800] | 39.62<br>[1.560] | 49.78<br>[1.960]  | 45.72<br>[1.800] | 35.56<br>[1.400] | 24        | 5499206-5        |
|          | BLACK                     |                | 22.86<br>[.900]  | 40.64<br>[1.600] | 34.54<br>[1.360] | 44.70<br>[1.760]  | 40.64<br>[1.600] | 30.48<br>[1.200] | 20        | 5499206-4        |
|          | BLACK                     |                | 17.78<br>[.700]  | 35.56<br>[1.400] | 29.46<br>[1.160] | 39.62<br>[1.560]  | 35.56<br>[1.400] | 25.40<br>[1.000] | 16        | 5499206-3        |
|          | BLACK                     |                | 15.24<br>[.600]  | 33.02<br>[1.300] | 26.92<br>[1.060] | 37.08<br>[1.460]  | 33.02<br>[1.300] | 22.86<br>[.900]  | 14        | 5499206-2        |
|          | BLACK                     |                | 10.16<br>[.400]  | 27.94<br>[1.100] | 21.84<br>[.860]  | 32.00<br>[1.260]  | 27.94<br>[1.100] | 17.78<br>[.700]  | 10        | 5499206-1        |
|          | HOUSING AND LATCHES COLOR | G              | F                | E                | D                | C                 | B                | A                | NO OF POS | PART NUMBER      |

|  |  |  |  |   |  |
|--|--|--|--|---|--|
| THIS DRAWING IS A CONTROLLED DOCUMENT.   |  | DIN J. GERACE 15SEP05  |  | TE Connectivity   |  |
| DIMENSIONS: mm [INCHES]  |  | TOLERANCES UNLESS OTHERWISE SPECIFIED:   |  |   |  |
| 0 PLC ± -<br>1 PLC ± -<br>2 PLC ± 0.13[.005]<br>3 PLC ± -<br>4 PLC ± -<br>ANGLES ± - |  | APVD S. BOLASH 15SEP05<br>NAME M. WALMSLEY<br>PRODUCT SPEC 108-40018<br>APPLICATION SPEC |  | HEADER ASSY, UNIVERSAL, AMP-LATCH                           |  |
| MATERIAL SEE SHEET 1   |  | FINISH SEE SHEET 1   |  | SIZE CAGE CODE DRAWING NO RESTRICTED TO<br>A1 00779 5499206 |  |
| CUSTOMER DRAWING   |  | SCALE  |  | SHEET 2 OF 2 REV E1   |  |

# Mouser Electronics

Authorized Distributor

Click to View Pricing, Inventory, Delivery & Lifecycle Information:

[TE Connectivity:](#)

[5499206-7](#)