



50mA SWITCHED-CAP DC/DC CONVERTER

FEATURES

- WIDE INPUT RANGE: 1.8V TO 5.5V
5V VERSION: 2.7V TO 5.5V
- AUTOMATIC STEP-UP/STEP-DOWN OPERATION
- LOW INPUT CURRENT RIPPLE
- LOW OUTPUT VOLTAGE RIPPLE
- MINIMUM NUMBER OF EXTERNAL COMPONENTS—NO INDUCTORS
- 1MHz INTERNAL OSCILLATOR ALLOWS SMALL CAPACITORS
- “SHUTDOWN” MODE
- THERMAL AND CURRENT LIMIT PROTECTION
- FIVE OUTPUT VOLTAGES AVAILABLE: 5.0V, 3.3V, 3.0V, 2.7V, 2.5V
- THIN, SMALL PACKAGE: MSOP-8

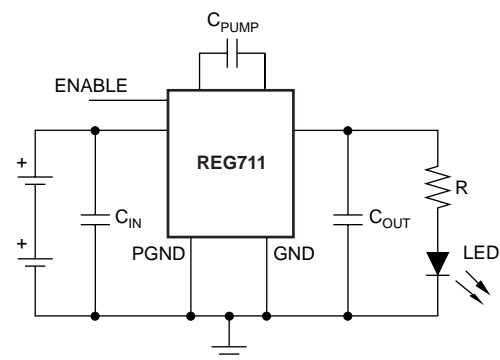
APPLICATIONS

- SMART CARD READERS
- CELLULAR PHONES
- SIM CARD SUPPLIES
- PORTABLE COMMUNICATION DEVICES
- PERSONAL DIGITAL ASSISTANTS
- MODEMS
- NOTEBOOK AND PALM-TOP COMPUTERS
- ELECTRONIC GAMES
- HANDHELD METERS
- PCMCIA CARDS
- CARD BUSES
- LCD DISPLAYS

DESCRIPTION

The REG711 is a switched capacitor voltage converter, which produces a regulated, low ripple output voltage from an unregulated input voltage. A wide input supply voltage of 1.8V to 5.5V makes the REG711 ideal for a variety of battery sources, such as single cell Li-Ion, or two and three cell Nickel or Alkaline based chemistries.

The input voltage may vary above and below the output voltage and the output will remain in regulation. It works equally well for step up or down without the need for an inductor, providing low EMI DC/DC conversion. The high switching frequency allows the use of small surface-mount capacitors, saving board space and reducing cost. The REG711 is thermally protected and current limited, protecting the load and the regulator during fault conditions. Typical ground pin current (quiescent current) is 1mA at full load, 60µA with no load, and less than 1µA in shutdown mode. This regulator comes in a thin MSOP-8 package with a component height of less than 1.1mm.



SPECIFICATIONS

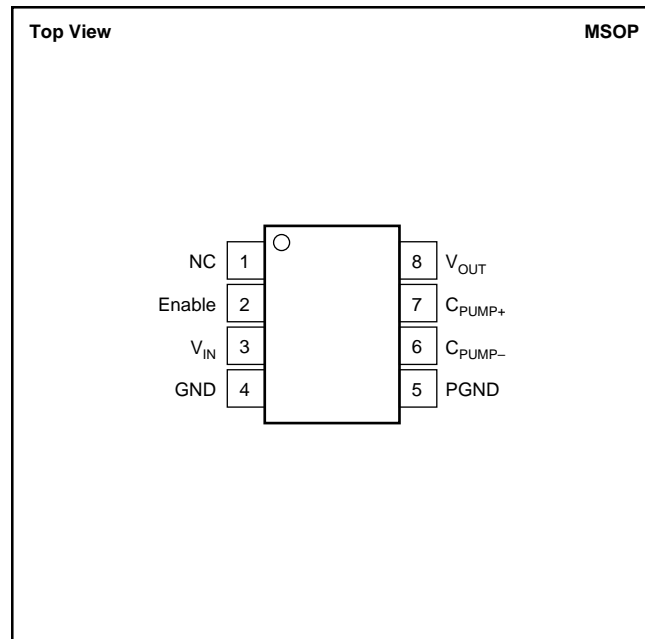
Boldface limits apply over the specified temperature range, $T_A = -40^{\circ}\text{C}$ to $+85^{\circ}\text{C}$

At $T_A = +25^{\circ}\text{C}$, $V_{IN} = V_{OUT}/2 + 0.75\text{V}$, $I_{OUT} = 5\text{mA}$, $C_{IN} = C_{OUT} = 2.2\mu\text{F}$, $C_{PUMP} = 0.22\mu\text{F}$, $V_{ENABLE} = 1.3\text{V}$, unless otherwise noted⁽¹⁾.

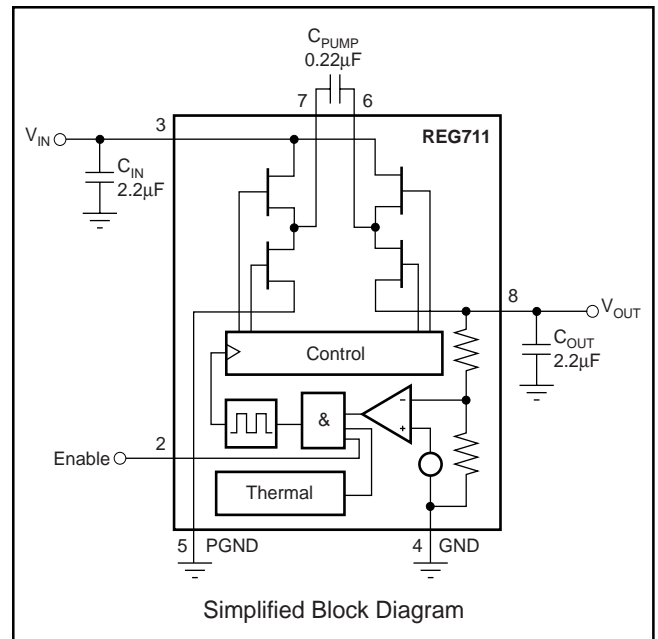
PARAMETER	CONDITIONS	REG711EA			UNITS
		MIN	TYP	MAX	
INPUT VOLTAGE Guaranteed Startup REG711-5.0 All Other Models	See conditions under "output voltage" with a resistive load not lower than typical V_{OUT}/I_{OUT} .	2.7		5.5	V
		1.8		5.5	V
OUTPUT VOLTAGE REG711-5.0 REG711-3.3 REG711-3.0 REG711-2.7 REG711-2.5	$I_{OUT} \leq 15\text{mA}$, $2.7\text{V} < V_{IN} < 5.5\text{V}$	4.75	5.0	5.25	V
	$I_{OUT} \leq 50\text{mA}$, $3.0\text{V} < V_{IN} < 5.5\text{V}$				
	$I_{OUT} \leq 15\text{mA}$, $1.8\text{V} < V_{IN} < 5.5\text{V}$	3.14	3.3	3.46	V
	$I_{OUT} \leq 50\text{mA}$, $2.2\text{V} < V_{IN} < 5.5\text{V}$				
	$I_{OUT} \leq 15\text{mA}$, $1.8\text{V} < V_{IN} < 5.5\text{V}$	2.85	3.0	3.15	V
	$I_{OUT} \leq 50\text{mA}$, $2.2\text{V} < V_{IN} < 5.5\text{V}$				
OUTPUT CURRENT Nominal Short Circuit ⁽²⁾		50			mA
			80		mA
OSCILLATOR FREQUENCY	NOTE ⁽³⁾		1.0		MHz
EFFICIENCY ⁽⁴⁾	$I_{OUT} = 15\text{mA}$, $V_{IN} = 2.7\text{V}$, REG711-5.0		90		%
RIPPLE VOLTAGE ⁽¹⁾	$I_{OUT} = 50\text{mA}$		40		mVp-p
ENABLE CONTROL Logic High Input Voltage Logic Low Input Voltage Logic High Input Current Logic Low Input Current	$V_{IN} = 1.8$ to 5.5V	1.3		V_{IN}	V
		-0.2		0.4	V
				100	nA
				100	nA
THERMAL SHUTDOWN Shutdown temperature Shutdown recovery			160		$^{\circ}\text{C}$
			140		$^{\circ}\text{C}$
SUPPLY CURRENT (quiescent current) In Shutdown Mode	$I_{OUT} = 0\text{mA}$ $V_{IN} = 1.8$ to 5.5V , Enable = 0V		60	100	μA
			0.01	2	μA
TEMPERATURE RANGE Specification Operating Storage Thermal Resistance, θ_{JA}	MSOP-8		-40	+85	$^{\circ}\text{C}$
			-55	+125	$^{\circ}\text{C}$
			-65	+150	$^{\circ}\text{C}$
				150	$^{\circ}\text{C}/\text{W}$

NOTES: (1) Effective series resistance (ESR) of capacitors is $< 0.1\Omega$. (2) The supply circuit is twice the output short-circuit current. (3) The converter regulates by enabling and disabling periods of switching cycles. The switching frequency is the oscillator frequency during an active period. (4) See efficiency curves for other V_{IN}/V_{OUT} configurations.

PIN CONFIGURATION



SIMPLIFIED BLOCK DIAGRAM



ABSOLUTE MAXIMUM RATINGS⁽¹⁾

Supply Voltage	-0.3V to +5.5V
Enable Input	-0.3V to V _{IN}
Output Short-Circuit Duration	Indefinite
Operating Temperature Range	-55°C to +125°C
Storage Temperature Range	-65°C to +150°C
Junction Temperature	-55°C to +150°C
Lead Temperature (soldering, 3s)	+240°C

NOTE: (1) Stresses above these ratings may cause permanent damage. Exposure to absolute maximum conditions for extended periods may degrade device reliability.



ELECTROSTATIC DISCHARGE SENSITIVITY

This integrated circuit can be damaged by ESD. Texas Instruments recommends that all integrated circuits be handled with appropriate precautions. Failure to observe proper handling and installation procedures can cause damage.

ESD damage can range from subtle performance degradation to complete device failure. Precision integrated circuits may be more susceptible to damage because very small parametric changes could cause the device not to meet its published specifications.

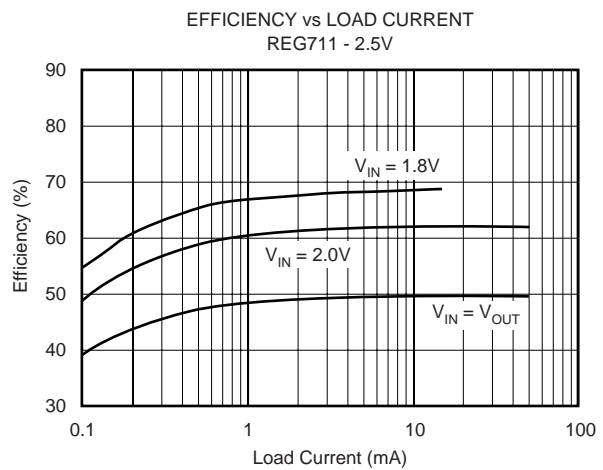
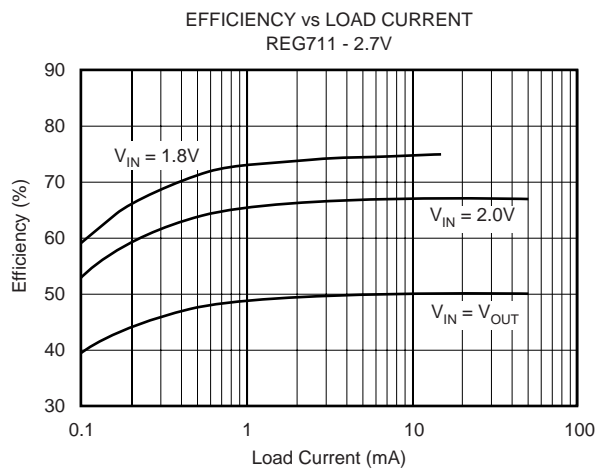
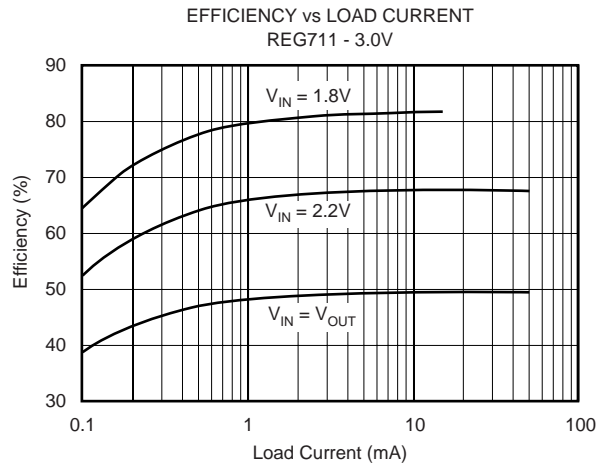
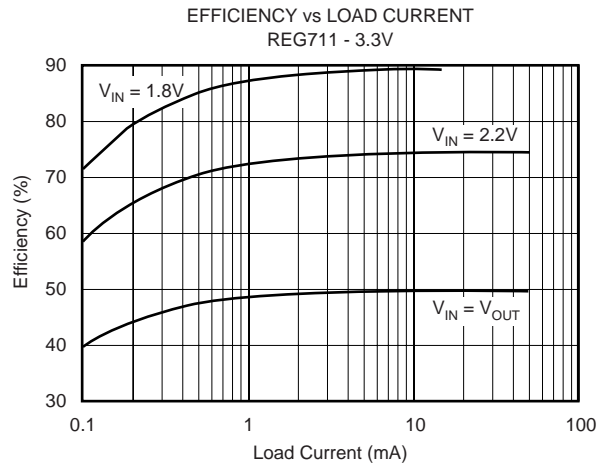
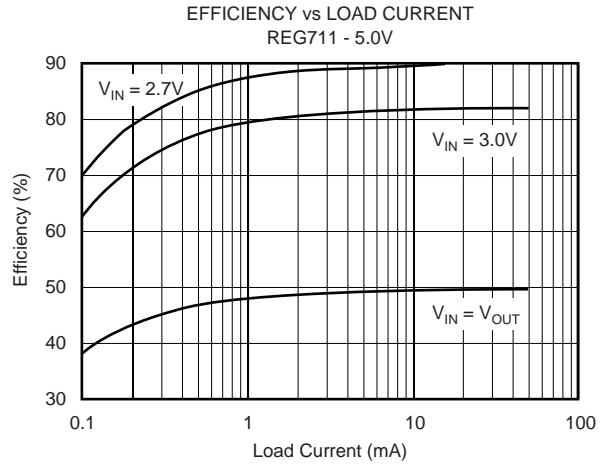
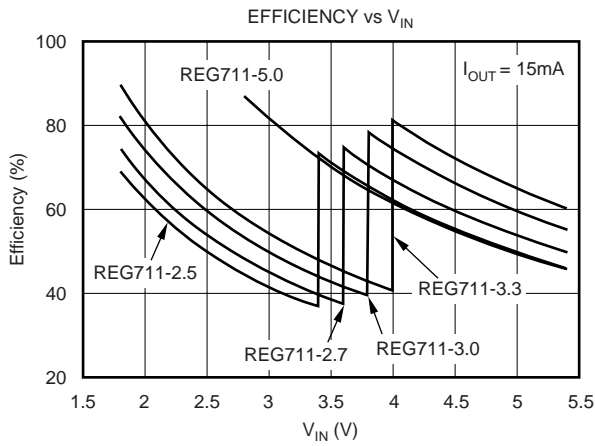
PACKAGE/ORDERING INFORMATION

PRODUCT	OUTPUT VOLTAGE	PACKAGE	PACKAGE DRAWING NUMBER	SPECIFIED TEMPERATURE RANGE	PACKAGE MARKING ⁽¹⁾	ORDERING NUMBER ⁽²⁾	TRANSPORT MEDIA
5V Output REG711EA-5 " "	5.0V " "	MSOP-8 " "	337 " "	-40°C to +85°C " "	C11B " "	REG711EA-5 REG711EA-5/250 REG711EA-5/2K5	Rails Tape and Reel Tape and Reel
3.3V Output REG711EA-3.3 " "	3.3V " "	MSOP-8 " "	337 " "	-40°C to +85°C " "	C11C " "	REG711EA-3.3 REG711EA-3.3/250 REG711EA-3.3/2K5	Rails Tape and Reel Tape and Reel
3V Output REG711EA-3.0 " "	3.0V " "	MSOP-8 " "	337 " "	-40°C to +85°C " "	C11D " "	REG711EA-3 REG711EA-3/250 REG711EA-3/2K5	Rails Tape and Reel Tape and Reel
2.7V Output REG711EA-2.7 " "	2.7V " "	MSOP-8 " "	337 " "	-40°C to +85°C " "	C11F " "	REG711EA-2.7 REG711EA-2.7/250 REG711EA-2.7/2K5	Rails Tape and Reel Tape and Reel
2.5V Output REG711EA-2.5 " "	2.5V " "	MSOP-8 " "	337 " "	-40°C to +85°C " "	C11G " "	REG711EA-2.5 REG711EA-2.5/250	Rails Tape and Reel

NOTE: (1) Voltage will be marked on reel. (2) Models with a slash (/) are available only in Tape and Reel in the quantities indicated (e.g., /2K5 indicates 2500 devices per reel). Ordering 2500 pieces of "REG711EA-5/2K5" will get a single 2500-piece Tape and Reel.

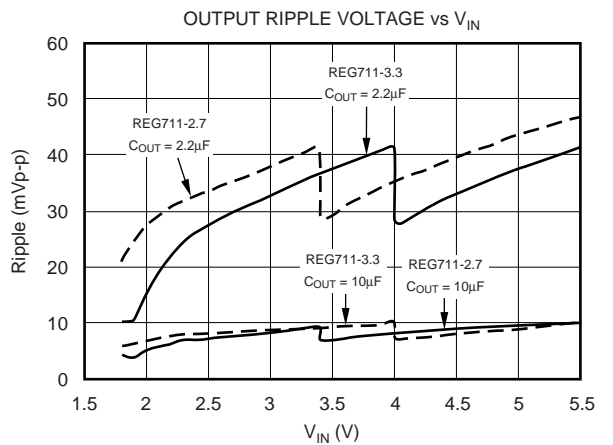
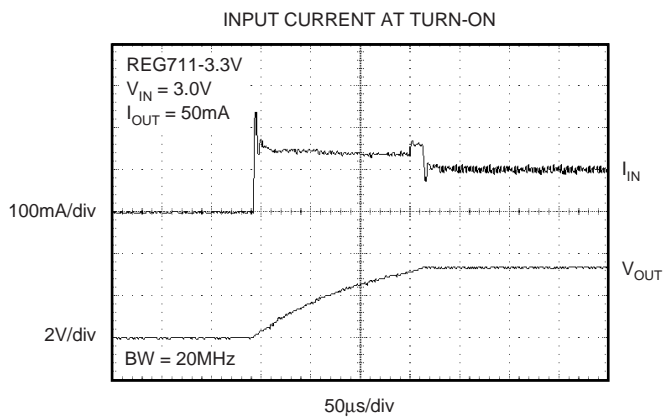
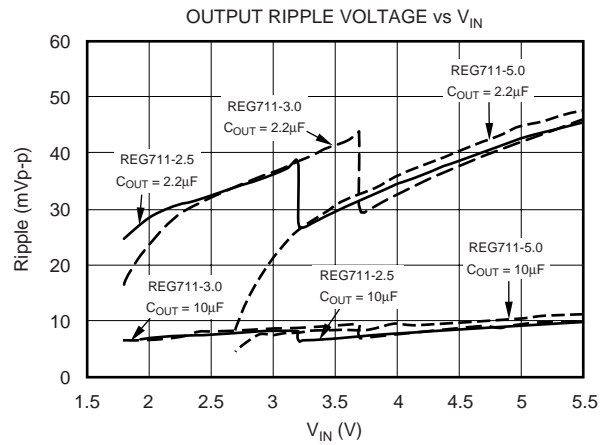
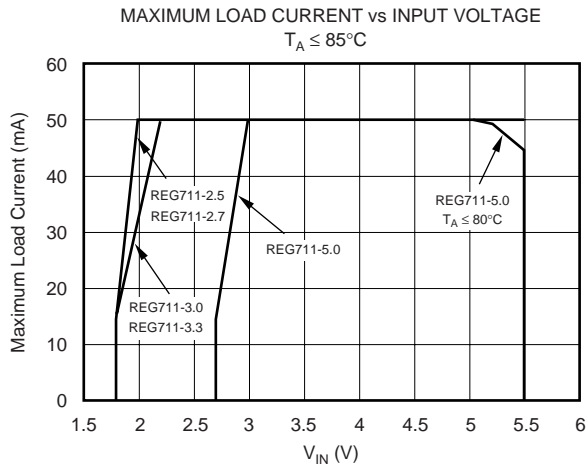
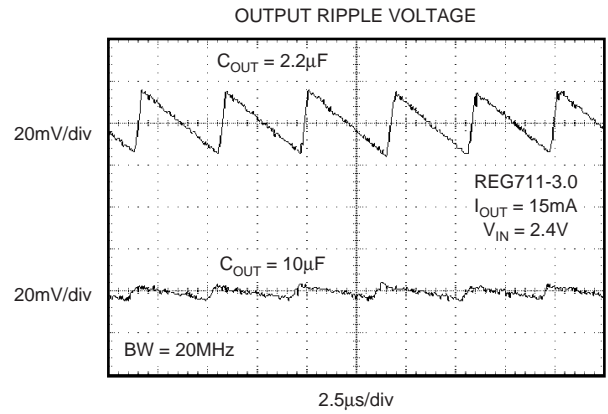
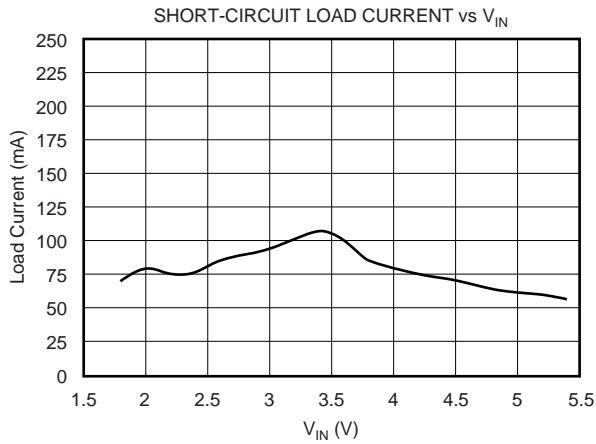
TYPICAL PERFORMANCE CURVES

At $T_A = +25^\circ\text{C}$, $V_{IN} = V_{OUT}/2 + 0.75\text{V}$, $I_{OUT} = 5\text{mA}$, $C_{IN} = C_{OUT} = 2.2\mu\text{F}$, $C_{PUMP} = 0.22\mu\text{F}$, unless otherwise noted.



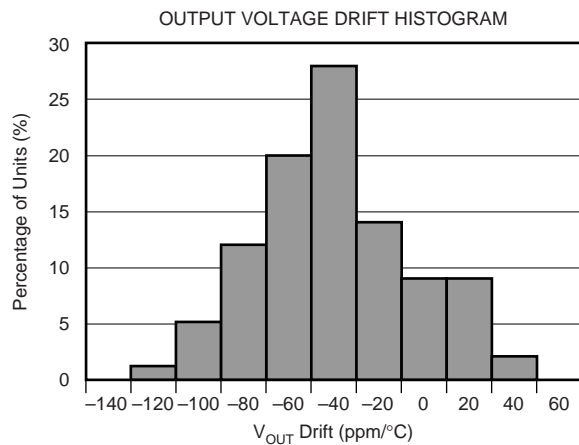
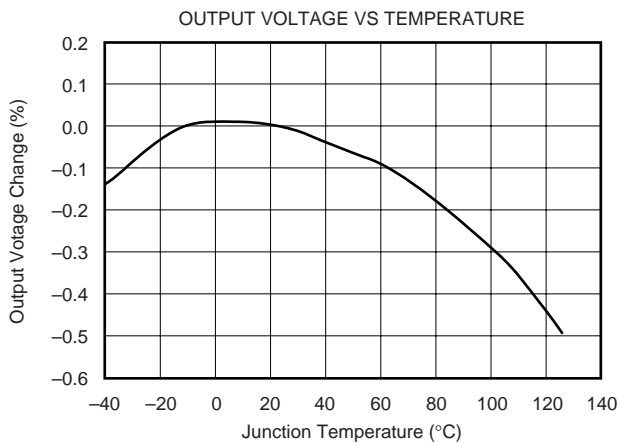
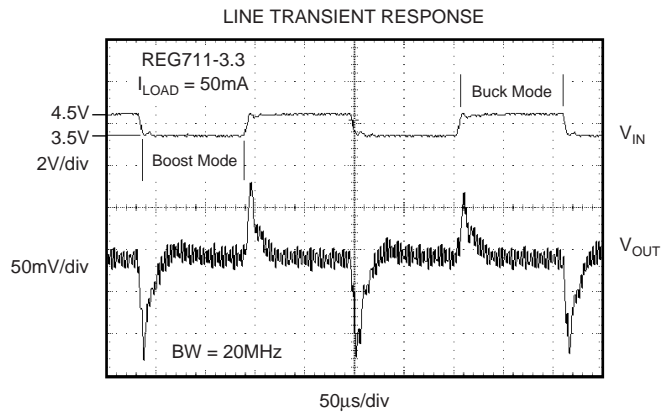
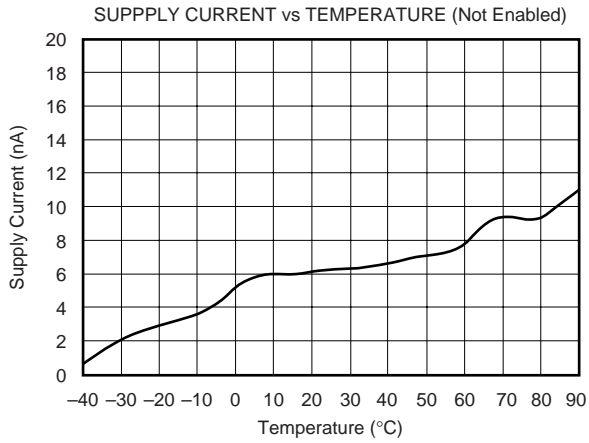
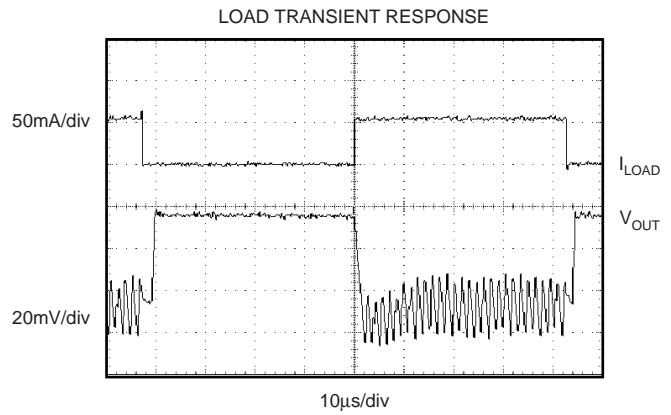
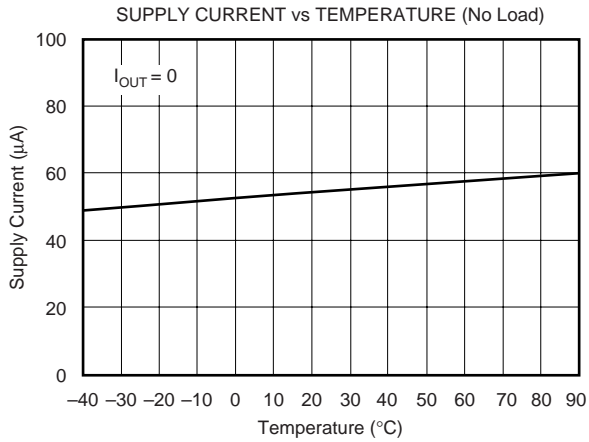
TYPICAL PERFORMANCE CURVES (Cont.)

At $T_A = +25^\circ\text{C}$, $V_{IN} = V_{OUT}/2 + 0.75\text{V}$, $I_{OUT} = 5\text{mA}$, $C_{IN} = C_{OUT} = 2.2\mu\text{F}$, $C_{PUMP} = 0.22\mu\text{F}$, unless otherwise noted.



TYPICAL PERFORMANCE CURVES (Cont.)

At $T_A = +25^\circ\text{C}$, $V_{IN} = V_{OUT}/2 + 0.75\text{V}$, $I_{OUT} = 5\text{mA}$, $C_{IN} = C_{OUT} = 2.2\mu\text{F}$, $C_{PUMP} = 0.22\mu\text{F}$, unless otherwise noted.



THEORY OF OPERATION

The REG711 regulated charge pump provides a regulated output voltage for input voltages ranging from less than the output to greater than the output. This is accomplished by automatic mode switching within the device. When the input voltage is greater than the required output, the unit functions as a variable pulse-width switch-mode regulator. This operation is shown in Figure 1. Transistors Q_1 and Q_3 are held off, Q_4 is on, and Q_2 is switched as needed to maintain a regulated output voltage.

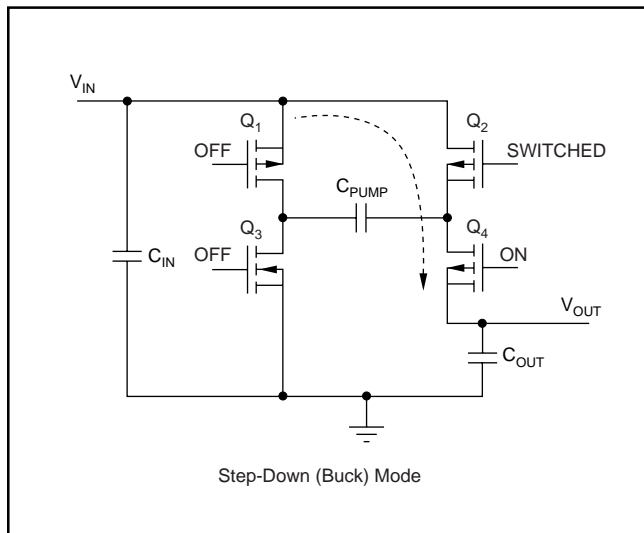


FIGURE 1. Simplified Schematic of the REG711 Operating in the Step-Down Mode.

When the input voltage is less than the required output voltage, the device switched to a step-up or boost mode of operation, as shown in Figure 2.

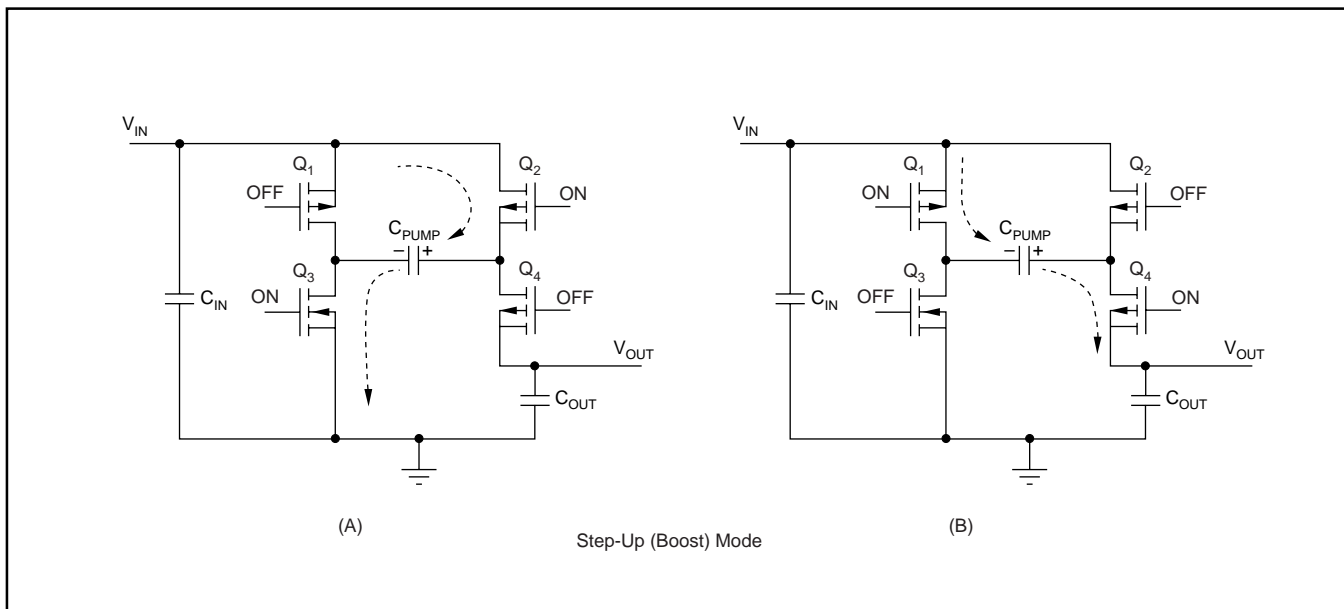


FIGURE 2. Simplified Schematic of the REG711 Operating in the Step-Up or Boost Mode.

A conversion clock of 50% duty cycle is generated. During the first half cycle the FET switches are configured as shown in Figure 2A, and C_{PUMP} charges to V_{IN} . During the second half cycle the FET switches are configured as shown in Figure 2B, and the voltage on C_{PUMP} is added to V_{IN} . The output voltage is regulated by skipping clock cycles as necessary.

PEAK CURRENT REDUCTION

In normal operation, the charging of the pump and output capacitors usually leads to relatively high peak input currents which can be much higher than that of the average load current. The regulator incorporates circuitry to limit the input peak current, lowering the total EMI production of the device and lowering output voltage ripple and input current ripple. Input capacitor (C_{IN}) supplies most of the charge required by input current peaks.

PROTECTION

The regulator has thermal shutdown circuitry that protects it from damage caused by overload conditions. The thermal protection circuitry disables the output when the junction temperature reaches approximately 160°C , allowing the device to cool. When the junction temperature cools to approximately 140°C , the output circuitry is automatically re-enabled. Continuously running the regulator into thermal shutdown can degrade reliability. The regulator also provides current limit to protect itself and the load.

SHUTDOWN MODE

A control pin on the regulator can be used to place the device into an energy-saving shutdown mode. In this mode, the output is disconnected from the input as long as V_{IN} is greater than or equal to minimum V_{IN} and the input quiescent current is reduced to $2\mu\text{A}$ maximum.

CAPACITOR SELECTION

For minimum output voltage ripple, the output capacitor C_{OUT} should be a ceramic, surface-mount type. Tantalum capacitors generally have a higher Effective Series Resistance (ESR) and may contribute to higher output voltage ripple. Leaded capacitors also increase ripple due to the higher inductance of the package itself. To achieve best operation with low input voltage and high load current, the input and pump capacitors (C_{IN} , C_{PUMP} respectively) should also be surface-mount ceramic types. In all cases, X7R or X5R dielectric are recommended. See the Typical Operating Circuit shown in Figure 3 for component values.

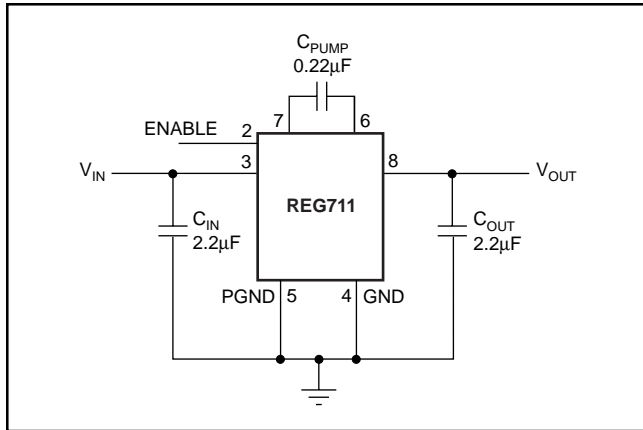


FIGURE 3. Typical Operating Circuit.

With light loads or higher input voltage, a smaller $0.1\mu\text{F}$ pump capacitor (C_{PUMP}) and smaller $1\mu\text{F}$ input and output capacitors (C_{IN} and C_{OUT} , respectively) can be used. To minimize output voltage ripple, increase the output capacitor, C_{OUT} , to $10\mu\text{F}$ or larger.

The capacitors listed in Table I have been used with the REG711. This is only a representative list of those parts that are compatible, and not the results of a complete survey of an industry-wide offering.

EFFICIENCY

The efficiency of the charge pump regulator varies with the output voltage version, the applied input voltage, the load current, and the internal operation mode of the device.

The approximate efficiency is given by:

$$\text{Efficiency (\%)} = \frac{V_{OUT}}{2 \cdot V_{IN}} \cdot 100 \text{ (step-up operating mode)}$$

or

$$V_{OUT} \cdot 100 / V_{IN} \text{ (step-down operating mode)}$$

Table II lists the approximate values of the input voltage at which the device changes internal operating mode.

PRODUCT	OPERATING MODE CHANGES AT V_{IN} OF
REG711-2.5	> 3.2V
REG711-2.7	> 3.4V
REG711-3.0	> 3.7V
REG711-3.3	> 4.0V
REG711-5.0	Step-up only

TABLE II.

See efficiency curves in the Typical Performance Curves section for various loads and input voltages.

LAYOUT

Large ripple currents flow in the V_{IN} , PGND and V_{OUT} traces. To minimize both input and output ripple, keep the capacitors as close as possible to the regulator using short, direct circuit traces.

A suggested PCB routing is shown in Figure 4. The trace lengths from the input and output capacitors have been kept as short as possible. A star ground system has been implemented, with pin 5 as the center of the star. No ground plane is provided in other layers, as this will provide capacitive coupling for noise spikes.

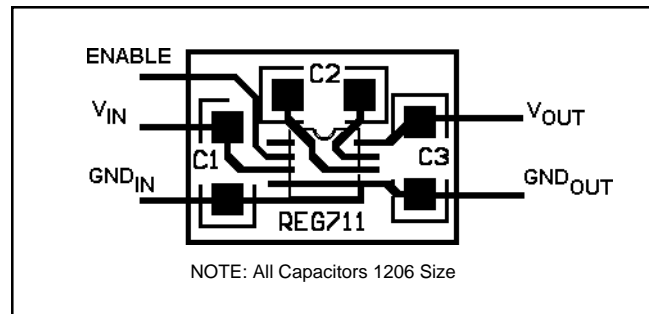


FIGURE 4. Suggested PCB Design for Minimum Ripple.

MANUFACTURER	PART NUMBER	VALUE	TOLERANCE	DIELECTRIC MATERIAL	PACKAGE SIZE	RATED WORKING VOLTAGE
Kemet	C1206C255K8RAC	2.2µF	±10%	X7R	1206	10V
	C1206C224K8RAC	0.22µF	±10%	X7R	1206	10V
Panasonic	ECJ3YB1A225K	2.2µF	±10%	X7R	1206	10V
	ECJ3VB1C224K	0.22µF	±10%	X7R	1206	16V
Taiyo Yuden	LMK325BJ106KN	10µF	±10%	X5R	1210	10V
	EMK316BJ225KL	2.2µF	±10%	X7R	1206	16V
	TKM316BJ224KF	0.22µF	±10%	X7R	1206	25V

TABLE I. Capacitors That Have Been Successfully Used With The REG711.

PACKAGING INFORMATION

Orderable Device	Status (1)	Package Type	Package Drawing	Pins	Package Qty	Eco Plan (2)	Lead/Ball Finish (6)	MSL Peak Temp (3)	Op Temp (°C)	Device Marking (4/5)	Samples
REG711EA-2.5/250	ACTIVE	VSSOP	DGK	8	250	Green (RoHS & no Sb/Br)	NIPDAUAG	Level-2-260C-1 YEAR	-40 to 85	C11G	Samples
REG711EA-2.5/2K5	ACTIVE	VSSOP	DGK	8	2500	Green (RoHS & no Sb/Br)	NIPDAUAG	Level-2-260C-1 YEAR	-40 to 85	C11G	Samples
REG711EA-3.3/250	ACTIVE	VSSOP	DGK	8	250	Green (RoHS & no Sb/Br)	NIPDAUAG	Level-2-260C-1 YEAR	-40 to 85	C11C	Samples
REG711EA-3/250	ACTIVE	VSSOP	DGK	8	250	Green (RoHS & no Sb/Br)	NIPDAUAG	Level-2-260C-1 YEAR	-40 to 85	C11D	Samples
REG711EA-3/2K5	ACTIVE	VSSOP	DGK	8	2500	Green (RoHS & no Sb/Br)	NIPDAUAG	Level-2-260C-1 YEAR	-40 to 85	C11D	Samples
REG711EA-5/250	ACTIVE	VSSOP	DGK	8	250	Green (RoHS & no Sb/Br)	NIPDAUAG	Level-2-260C-1 YEAR	-40 to 85	C11B	Samples
REG711EA-5/2K5	ACTIVE	VSSOP	DGK	8	2500	Green (RoHS & no Sb/Br)	NIPDAUAG	Level-2-260C-1 YEAR	-40 to 85	C11B	Samples

(1) The marketing status values are defined as follows:

ACTIVE: Product device recommended for new designs.

LIFEBUY: TI has announced that the device will be discontinued, and a lifetime-buy period is in effect.

NRND: Not recommended for new designs. Device is in production to support existing customers, but TI does not recommend using this part in a new design.

PREVIEW: Device has been announced but is not in production. Samples may or may not be available.

OBSOLETE: TI has discontinued the production of the device.

(2) **RoHS:** TI defines "RoHS" to mean semiconductor products that are compliant with the current EU RoHS requirements for all 10 RoHS substances, including the requirement that RoHS substance do not exceed 0.1% by weight in homogeneous materials. Where designed to be soldered at high temperatures, "RoHS" products are suitable for use in specified lead-free processes. TI may reference these types of products as "Pb-Free".

RoHS Exempt: TI defines "RoHS Exempt" to mean products that contain lead but are compliant with EU RoHS pursuant to a specific EU RoHS exemption.

Green: TI defines "Green" to mean the content of Chlorine (Cl) and Bromine (Br) based flame retardants meet JS709B low halogen requirements of <=100ppm threshold. Antimony trioxide based flame retardants must also meet the <=1000ppm threshold requirement.

(3) MSL, Peak Temp. - The Moisture Sensitivity Level rating according to the JEDEC industry standard classifications, and peak solder temperature.

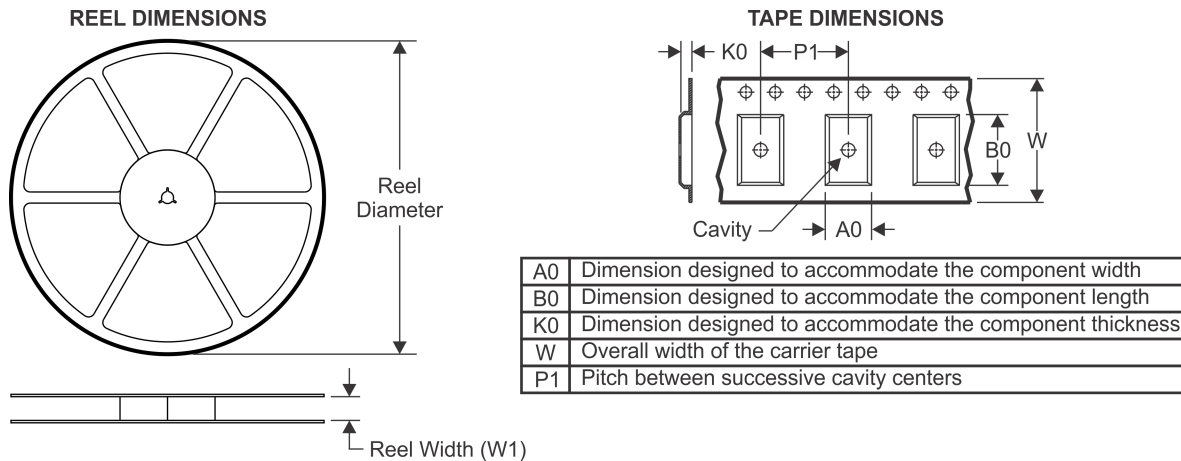
(4) There may be additional marking, which relates to the logo, the lot trace code information, or the environmental category on the device.

(5) Multiple Device Markings will be inside parentheses. Only one Device Marking contained in parentheses and separated by a "-" will appear on a device. If a line is indented then it is a continuation of the previous line and the two combined represent the entire Device Marking for that device.

⁽⁶⁾ Lead/Ball Finish - Orderable Devices may have multiple material finish options. Finish options are separated by a vertical ruled line. Lead/Ball Finish values may wrap to two lines if the finish value exceeds the maximum column width.

Important Information and Disclaimer: The information provided on this page represents TI's knowledge and belief as of the date that it is provided. TI bases its knowledge and belief on information provided by third parties, and makes no representation or warranty as to the accuracy of such information. Efforts are underway to better integrate information from third parties. TI has taken and continues to take reasonable steps to provide representative and accurate information but may not have conducted destructive testing or chemical analysis on incoming materials and chemicals. TI and TI suppliers consider certain information to be proprietary, and thus CAS numbers and other limited information may not be available for release.

In no event shall TI's liability arising out of such information exceed the total purchase price of the TI part(s) at issue in this document sold by TI to Customer on an annual basis.

TAPE AND REEL INFORMATION

QUADRANT ASSIGNMENTS FOR PIN 1 ORIENTATION IN TAPE


*All dimensions are nominal

Device	Package Type	Package Drawing	Pins	SPQ	Reel Diameter (mm)	Reel Width W1 (mm)	A0 (mm)	B0 (mm)	K0 (mm)	P1 (mm)	W (mm)	Pin1 Quadrant
REG711EA-2.5/250	VSSOP	DGK	8	250	180.0	12.4	5.3	3.4	1.4	8.0	12.0	Q1
REG711EA-2.5/2K5	VSSOP	DGK	8	2500	330.0	12.4	5.3	3.4	1.4	8.0	12.0	Q1
REG711EA-3.3/250	VSSOP	DGK	8	250	180.0	12.4	5.3	3.4	1.4	8.0	12.0	Q1
REG711EA-3/250	VSSOP	DGK	8	250	180.0	12.4	5.3	3.4	1.4	8.0	12.0	Q1
REG711EA-3/2K5	VSSOP	DGK	8	2500	330.0	12.4	5.3	3.4	1.4	8.0	12.0	Q1
REG711EA-5/250	VSSOP	DGK	8	250	180.0	12.4	5.3	3.4	1.4	8.0	12.0	Q1
REG711EA-5/2K5	VSSOP	DGK	8	2500	330.0	12.4	5.3	3.4	1.4	8.0	12.0	Q1

TAPE AND REEL BOX DIMENSIONS


*All dimensions are nominal

Device	Package Type	Package Drawing	Pins	SPQ	Length (mm)	Width (mm)	Height (mm)
REG711EA-2.5/250	VSSOP	DGK	8	250	210.0	185.0	35.0
REG711EA-2.5/2K5	VSSOP	DGK	8	2500	367.0	367.0	35.0
REG711EA-3.3/250	VSSOP	DGK	8	250	210.0	185.0	35.0
REG711EA-3/250	VSSOP	DGK	8	250	210.0	185.0	35.0
REG711EA-3/2K5	VSSOP	DGK	8	2500	367.0	367.0	35.0
REG711EA-5/250	VSSOP	DGK	8	250	210.0	185.0	35.0
REG711EA-5/2K5	VSSOP	DGK	8	2500	367.0	367.0	35.0

IMPORTANT NOTICE AND DISCLAIMER

TI PROVIDES TECHNICAL AND RELIABILITY DATA (INCLUDING DATASHEETS), DESIGN RESOURCES (INCLUDING REFERENCE DESIGNS), APPLICATION OR OTHER DESIGN ADVICE, WEB TOOLS, SAFETY INFORMATION, AND OTHER RESOURCES "AS IS" AND WITH ALL FAULTS, AND DISCLAIMS ALL WARRANTIES, EXPRESS AND IMPLIED, INCLUDING WITHOUT LIMITATION ANY IMPLIED WARRANTIES OF MERCHANTABILITY, FITNESS FOR A PARTICULAR PURPOSE OR NON-INFRINGEMENT OF THIRD PARTY INTELLECTUAL PROPERTY RIGHTS.

These resources are intended for skilled developers designing with TI products. You are solely responsible for (1) selecting the appropriate TI products for your application, (2) designing, validating and testing your application, and (3) ensuring your application meets applicable standards, and any other safety, security, or other requirements. These resources are subject to change without notice. TI grants you permission to use these resources only for development of an application that uses the TI products described in the resource. Other reproduction and display of these resources is prohibited. No license is granted to any other TI intellectual property right or to any third party intellectual property right. TI disclaims responsibility for, and you will fully indemnify TI and its representatives against, any claims, damages, costs, losses, and liabilities arising out of your use of these resources.

TI's products are provided subject to TI's Terms of Sale (www.ti.com/legal/termsofsale.html) or other applicable terms available either on ti.com or provided in conjunction with such TI products. TI's provision of these resources does not expand or otherwise alter TI's applicable warranties or warranty disclaimers for TI products.

Mailing Address: Texas Instruments, Post Office Box 655303, Dallas, Texas 75265
Copyright © 2020, Texas Instruments Incorporated