

MATED WITH: PASSEND ZU: -	LOC A	DIST -	REVISIONS ÄNDERUNGEN DESCRIPTION BESCHREIBUNG			DATE	DWN	APVD
PROJEKT NR.: -		B5	REVISED PER ECO-11-005150		21MAR11	RK	HMR	

Customer Drawing
for PN 927831


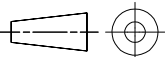
SEE 1355048

RELEASED FOR PUBLICATION
 FREI FÜR VERÖFFENTLICHUNG
 ALL RIGHTS RESERVED.
 ALLE RECHTE VORBEHALTEN

THIS DRAWING IS UNPUBLISHED.
 VERTRAULICHE UNVERÖFFENTLICHTE ZEICHNUNG.

COPYRIGHT - By -

-	-	-	-	-	-	-
CUSTOMER PART NO	PART NO	REV.	PCS.	MATERIAL	SURFACE COLOR	DESCRIPTION

DIMENSIONS: DIMENSIONEN mm	DWN T.Bersch	27-MAY-98	MATERIAL	FINISH OBERFLÄCHE/FARBE	-		
	CHK V. Huhn	18-MAY-00	 TE Connectivity				
TOLERANCES UNLESS OTHERWISE SPECIFIED: ALL GEMEINTOLERANZEN ISO 8015 ISO 2768 - mH - E DIN 16901 - 140	APVD M. Bleicher	19-MAY-00					
P.P.P. 0 PLC ± - 1 PLC ± - 2 PLC ± - 3 PLC ± - 4 PLC ± - ANGLES/WINKEL ± -	PRODUCT SPEC PRODUKTSPEZ. -	NAME STANDARD-POWER-TIMER CONTACT STANDARD-POWER-TIMER KONTAKT	SIZE A4	CAGE CODE 00779	DRAWING NO ZEICHNUNGS-NR. C-927831	RESTRICTED TO NUR FÜR -	
	APPLICATION SPEC VERARBEITUNGSSPEZ. -	WEIGHT GEWICHT -	CUSTOMER DRAWING / KUNDENZEICHNUNG		SCALE MASSSTAB -	SHEET BLATT 1 OF 1 VON 1	REV B5

Mouser Electronics

Authorized Distributor

Click to View Pricing, Inventory, Delivery & Lifecycle Information:

[TE Connectivity:](#)

[927831-1 \(Cut Strip\)](#)