

### 83581 Plunger with axial roller Part number 835811



- Compact dimensions
- Contact element : IP67

#### Part numbers

	Type	Features	Function
835811	Plunger with axial roller	Standard	I (Changeover)

#### Specifications

Conformity to standards	NFC 20030 class II
Degree of protection IEC 60529	Outer casing : IP57 Contact element : IP67

#### Electrical characteristics

Assigned operating current (Ie)	Standard : 8 A - 250 VAC Bi-niveau : 0,1 A - 250 VAC
Electrical endurance - Standard (operations)	8 A - 250 VAC : 40000 5 A - 250 VAC : 100000
Electrical endurance - Dual-current	This version is designed to operate both on dual-current (1 mA 4 V minimum) and medium-current (5A) circuits. However, a given product should only be used to switch one type of circuit during its working life.

#### Connections

Connection	Flexible leads : PVC 3x1 mm <sup>2</sup> - Length 0.50 m - ext. Ø 2 mm (on the right or left) Cable : 3x0.75 mm <sup>2</sup> - Length 0.50 m - ext. Ø 5 mm (on left only)
------------	--

#### Mechanical characteristics

Minimum operating force (N)	5
Minimum total travel force (N)	20
Differential travel (mm)	1
Minimum operating travel mm	2.5
Maximum total travel (mm)	5
Mechanical life (operations)	10 <sup>5</sup>
Operating temperature (°C)	-20 → +85
Weight (g)	45

#### Connections

Wire output on right	D
Wire output on left	G
Cable output	C

#### Principles



#### Function

Single break two-way contact element (form C : changeover)

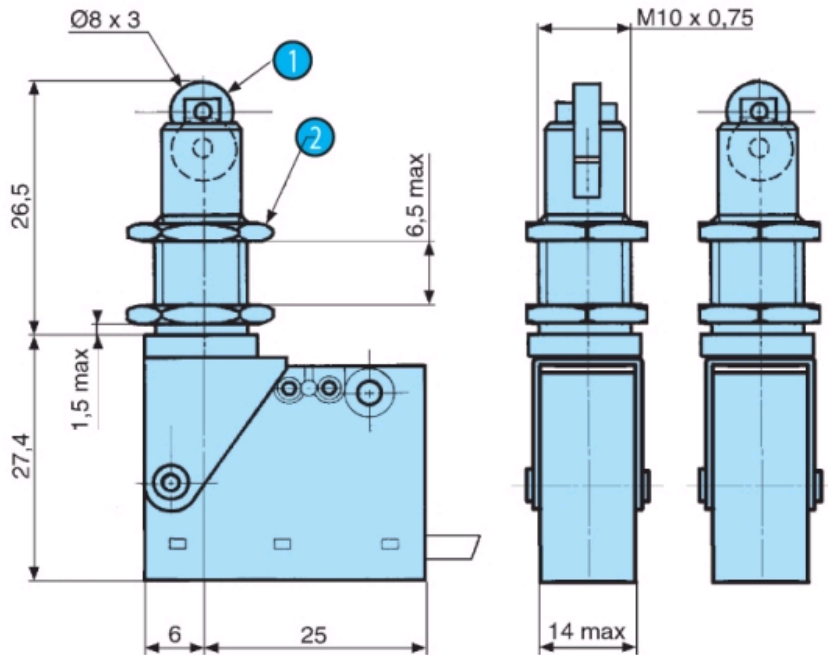
N°	Legend
----	--------

①	Black (common)
②	Brown (NC)
④	Blue (NO)

### Dimensions (mm)

#### Product

83 581 1 / 83 581 9



N°	Legend
①	Roller is straight (standard) or at 90°
②	Nut 14 across flats Thickness 2

### Product adaptations



- Length of cable/connector
- Approvals

# Mouser Electronics

Authorized Distributor

Click to View Pricing, Inventory, Delivery & Lifecycle Information:

Crouzet:

[835811BCC.5](#) [835811SCC.5](#) [835811SCR.5](#) [835811SCL2](#) [835811BCL.5](#) [835811BCR.5](#) [83581102](#)