

TPS65835 Advanced PMU With Integrated MSP430 for Active Shutter 3D Glasses

1 Device Overview

1.1 Features

- Power Management Core
 - Linear Charger
 - Three Charger Phases: Pre-Charge, Fast Charge, and Charge Termination
 - LED Current Sinks for Power Good and Charger Status Indication
 - Low-Dropout Regulator (LDO) Supply for External Modules & Integrated MSP430 Power
 - Boost Converter
 - Adjustable Output Voltage: 8 V to 16 V
 - Full H-Bridge Analog Switches
 - Internally Controlled by MSP430 Core for System Functions
- MSP430 Core
 - Ultralow Power Consumption
 - Active Mode: 280 μ A at 1 MHz, 2.2 V
 - Standby Mode: 0.5 μ A
 - Off Mode (RAM Retention): 0.1 μ A
 - Five Power-Saving Modes
 - 16-Bit RISC Architecture
 - 16-kB Flash
 - Two 16-Bit Timer_A Modules with Three Capture/Compare Registers
 - 10-Bit 200-ksps A/D Converter with Internal Reference, Sample-and-Hold, and Autoscan
 - Universal Serial Communications Interface, Supports IrDA Encode/Decode and Synchronous SPI
 - Enhanced UART Supporting Auto Baudrate Detection (LIN)
 - IrDA Encoder and Decoder
 - Synchronous SPI
 - I²C
 - Serial Onboard Programming
 - No External Programming Voltage Needed
 - Programmable Code Protection by Security Fuse
 - For Complete Module Descriptions, See the *MSP430x2xx Family User's Guide* ([SLAU144](#))

1.2 Applications

Active Shutter 3D Glasses

1.3 Description

The TPS65835 is a power management unit (PMU) for active shutter 3D glasses consisting of a power management core and an MSP430 microcontroller. The power management core has an integrated power path, linear charger, LDO, boost converter, and full H-bridge analog switches for left and right shutter operation in a pair of active shutter 3D glasses. The MSP430 core supports the synchronization and communications from an IR, RF, or other communications module through the integrated universal serial communications and timer interfaces for operation of the H-bridge switches on the power management core.

Device Information⁽¹⁾

PART NUMBER	PACKAGE	BODY SIZE (NOM)
TPS65735	VSON (32)	4.00 mm x 4.00 mm

(1) For more information, see [Section 10](#), *Mechanical Packaging and Orderable Information*.



1.4 Block Diagram

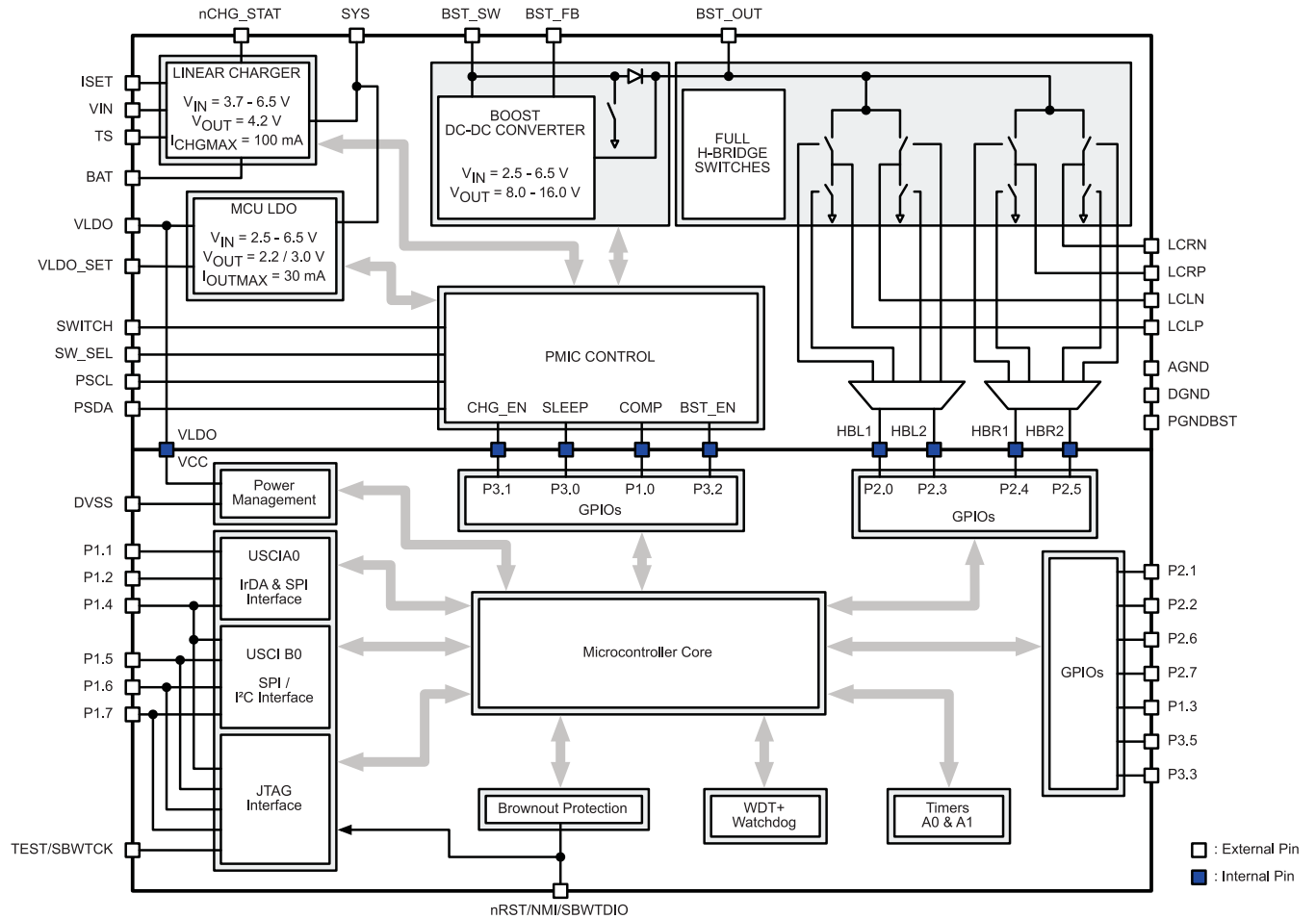


Figure 1-1. TPS65835 Simplified Functional Block Diagram

Table of Contents

1	Device Overview	1			
	1.1 Features	1		5.2 Functional Block Diagram	13
	1.2 Applications	1		5.3 Feature Description	13
	1.3 Description	1		5.4 Device Functional Modes	26
	1.4 Block Diagram	2		5.5 MSP430 CORE	27
2	Revision History	3	6	Application and Implementation	52
3	Terminal Configuration and Functions	4		6.1 Application Information	52
	3.1 Pin Diagram	4		6.2 Typical Application	52
	3.2 Pin Functions	5	7	Power Supply Recommendations	58
4	Specifications	7	8	Layout	58
	4.1 Absolute Maximum Ratings	7		8.1 Layout Guidelines	58
	4.2 ESD Ratings	7		8.2 Layout Example	58
	4.3 Power-On Hours (POH)	7	9	Device and Documentation Support	59
	4.4 Recommended Operating Conditions	8		9.1 Device Support	59
	4.5 Thermal Information	8		9.2 Community Resources	59
	4.6 Electrical Characteristics	9		9.3 Trademarks	59
	4.7 Quiescent Current	12		9.4 Electrostatic Discharge Caution	59
	4.8 Typical Characteristics	12		9.5 Glossary	59
5	Detailed Description	13	10	Mechanical, Packaging, and Orderable Information	59
	5.1 Overview	13		10.1 Packaging Information	59

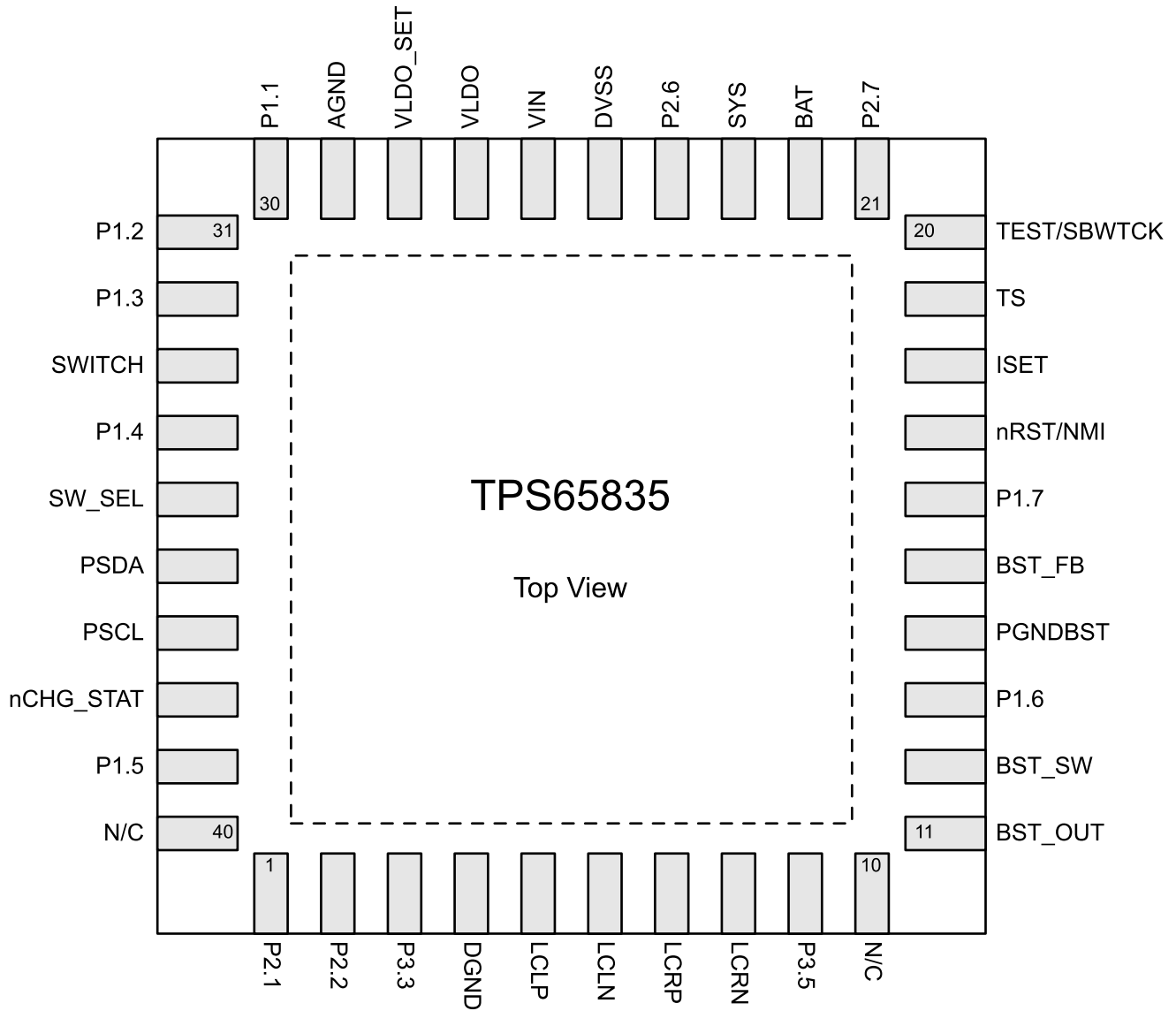
2 Revision History

NOTE: Page numbers for previous revisions may differ from page numbers in the current version.

Changes from Original (June 2011) to Revision A	Page
<ul style="list-style-type: none"> • Added <i>ESD Ratings</i> table, <i>Typical Characteristics</i> section, <i>Detailed Description</i> section, <i>Device Functional Modes</i> section, <i>Application and Implementation</i> section, <i>Power Supply Recommendations</i> section, <i>Layout</i> section, <i>Device and Documentation Support</i> section, and <i>Mechanical, Packaging, and Orderable Information</i> section 	1

3 Terminal Configuration and Functions

3.1 Pin Diagram



A. Pins 10 and 40 = N/C. No internal connection; connect to main system ground.

Figure 3-1. 40-Pin RKP VQFN (Top View)

3.2 Pin Functions

Table 3-1. Pin Functions

PIN		I/O	DESCRIPTION
NO.	NAME		
POWER MANAGEMENT CORE (PMIC)			
4	DGND	-	PMIC Digital Ground ⁽¹⁾
5	LCLP	O	H-Bridge Output for Left LC Shutter, <i>Positive</i> Terminal
6	LCLN	O	H-Bridge Output for Left LC Shutter, <i>Negative</i> Terminal
7	LCRP	O	H-Bridge Output for Right LC Shutter, <i>Positive</i> Terminal
8	LCRN	O	H-Bridge Output for Right LC Shutter, <i>Negative</i> Terminal
11	BST_OUT	O	Boost Output
12	BST_SW	I	Boost Switch Node
14	PGNDBST	—	PMIC Boost Power Ground ⁽¹⁾
15	BST_FB	I	Boost Feedback Node
18	ISET	I/O	Fast-Charge Current Setting Resistor
19	TS	I	Pin for 10-kΩ NTC Thermistor Connection FLOAT IF THERMISTOR / TS FUNCTION IS NOT USED
22	BAT	I/O	Charger Power Stage Output and Battery Voltage Sense Input
23	SYS	O	Output Terminal to System
26	VIN	I	AC or USB Adapter Input
27	VLDO	O	LDO Output
28	VLDO_SET	I	Sets LDO Output Voltage (see Table 5-2)
29	AGND	—	PMIC Analog Ground ⁽¹⁾
33	SWITCH	I	Switch Input for Device Power On/Off
35	SW_SEL	I	Selects Type of Switch Connected to SWITCH Pin (see Table 5-6)
36	PSDA	I/O	I ² C Data Pin (only used for TI debug and test) GROUND PIN IN APPLICATION
37	PSCL	I/O	I ² C Clock Pin (only used for TI debug and test) GROUND PIN IN APPLICATION
38	nCHG_STAT	O	Open-drain Output, Charger Status Indication CONNECT TO GROUND IF FUNCTION IS NOT USED
MSP430 MICROCONTROLLER			
1	P2.1/ TA1.1	I/O	General-purpose digital I/O pin Timer1_A, capture: CCI1A input, compare: Out1 output
2	P2.2/ TA1.1	I/O	General-purpose digital I/O pin Timer1_A, capture: CCI1B input, compare: Out1 output
3	P3.3/ TA1.2	I/O	General-purpose digital I/O pin Timer1_A, compare: Out2 output
9	P3.5/ TA0.1	I/O	General-purpose digital I/O pin Timer0_A, compare: Out0 output
13	P1.6/ TA0.1/ A6/ CA6/ UCBOSOMI/ UCB0SCL/ TDI/TCLK	I/O	General-purpose digital I/O pin Timer0_A, compare: Out1 output ADC10 analog input A6 Comparator_A+, CA6 input USCI_B0 slave out/master in SPI mode USCI_B0 SCL I2C clock in I2C mode JTAG test data input or test clock input during programming and test
16	P1.7/ A7/ CA7/ CAOUT/ UCBOSIMO/ UCB0SDA/ TDO/TDI	I/O	General-purpose digital I/O pin ADC10 analog input A7 Comparator_A+, CA7 input Comparator_A+, output USCI_B0 slave in/master out in SPI mode USCI_B0 SDA I2C data in I2C mode JTAG test data output terminal or test data input during programming and test ⁽²⁾
17	nRST/ NMI/ SBWTDIO	I/O	Reset Nonmaskable interrupt input Spy-Bi-Wire test data input/output during programming and test

(1) MSP430 ground and grounds for PMIC (Power Management Core) are connected internally.

(2) TDO or TDI is selected via JTAG instruction.

Table 3-1. Pin Functions (continued)

PIN		I/O	DESCRIPTION
NO.	NAME		
20	TEST/ SBWTCK	I	Selects test mode for JTAG pins on Port 1. The device protection fuse is connected to TEST. Spy-Bi-Wire test clock input during programming and test
21	P2.7/ XOUT	I/O	General-purpose digital I/O pin Output terminal of crystal oscillator ⁽³⁾
24	P2.6/ XIN/ TA0.1	I/O	General-purpose digital I/O pin XIN, Input terminal of crystal oscillator TA0.1, Timer0_A, compare: Out1 output
25	DVSS	—	MSP430 Ground reference ⁽¹⁾
30	P1.1/ TA0.0/ UCA0RXD/ UCA0SOMI/ A1/ CA1	I/O	General-purpose digital I/O pin Timer0_A, capture: CCI0A input, compare: Out0 output USCI_A0 receive data input in UART mode USCI_A0 slave data out/master in SPI mode ADC10 analog input A1 Comparator_A+, CA1 input
31	P1.2/ TA0.1/ UCA0TXD/ UCA0SIMO/ A2/ CA2	I/O	General-purpose digital I/O pin Timer0_A, capture: CCI1A input, compare: Out1 output USCI_A0 transmit data output in UART mode USCI_A0 slave data in/master out in SPI mode ADC10 analog input A2 Comparator_A+, CA2 input
32	P1.3/ ADC10CLK/ A3 VREF-/VEREF-/ CA3/ CAOUT	I/O	General-purpose digital I/O pin ADC10, conversion clock output ADC10 analog input A3 ADC10 negative reference voltage Comparator_A+, CA3 input Comparator_A+, output
34	P1.4/ SMCLK/ UCB0STE UCA0CLK/ A4 VREF+/VEREF+/ CA4 TCK	I/O	General-purpose digital I/O pin SMCLK signal output USCI_B0 slave transmit enable USCI_A0 clock input/output ADC10 analog input A4 ADC10 positive reference voltage Comparator_A+, CA4 input JTAG test clock, input terminal for device programming and test
39	P1.5/ TA0.0/ UCB0CLK/ UCA0STE/ A5/ CA5/ TMS	I/O	General-purpose digital I/O pin Timer0_A, compare: Out0 output USCI_B0 clock input/output USCI_A0 slave transmit enable ADC10 analog input A5 Comparator_A+, CA5 input JTAG test mode select, input terminal for device programming and test
MISCELLANEOUS AND PACKAGE			
10, 40	N/C	—	All N/C pins are not connected internally (package to die). They should be connected to the main system ground.
41	Thermal PAD	—	There is an internal electrical connection between the exposed thermal pad and the AGND ground pin of the device. The thermal pad must be connected to the same potential as the AGND pin on the printed circuit board. Do not use the thermal pad as the primary ground input for the device. AGND pin must be connected to ground at all times.

(3) If P2.7 is used as an input, excess current will flow until P2SEL.7 is cleared. This is due to the oscillator output driver connection to this pad after reset.

4 Specifications

4.1 Absolute Maximum Ratings

over operating free-air temperature range (unless otherwise noted)⁽¹⁾⁽²⁾

		MIN	MAX	UNIT	
	Input voltage on all pins (except for VIN, BST_OUT, BST_SW, BST_FB, VLDO, LCLP, LCLN, LCRP, LCRN, AGND, DGND, PGND, BST, and MSP430 Core pins) with respect to AGND	-0.3	7	V	
	VIN with respect to AGND	-0.3	28	V	
	BST_OUT, BST_SW with respect to PGND, BST	-0.3	18	V	
	BST_FB with respect to PGND, BST, VLDO with respect to DGND	-0.3	3.6	V	
	MSP430 Core Pins	-0.3	4.1	V	
T _A	Operating free-air temperature	0	60	°C	
T _J	Junction temperature	Electrical characteristics ensured	0	85	°C
		Functionality ensured ⁽³⁾	0	105	
T _{stg}	Storage temperature	-55	150	°C	

- Stresses beyond those listed under *Absolute Maximum Ratings* may cause permanent damage to the device. These are stress ratings only, which do not imply functional operation of the device at these or any other conditions beyond those indicated under *Recommended Operating Conditions*. Exposure to absolute-maximum-rated conditions for extended periods may affect device reliability.
- All voltage values are with respect to V_{SS}, unless otherwise noted.
- Device has a thermal shutdown feature implemented that shuts down at 105°C

4.2 ESD Ratings

		VALUE	UNIT	
V _{ESD}	Electrostatic discharge	Human Body Model (HBM), per ANSI/ESDA/JEDEC JS001 ⁽¹⁾	±1000	V
		Charged Device Model (CDM), per JESD22-C101 ⁽²⁾	±250	

- JEDEC document JEP155 states that 500-V HBM allows safe manufacturing with a standard ESD control process.
- JEDEC document JEP157 states that 250-V CDM allows safe manufacturing with a standard ESD control process.

4.3 Power-On Hours (POH)

See ⁽¹⁾⁽²⁾⁽³⁾⁽⁴⁾

OPERATING CONDITION	NOMINAL CVDD VOLTAGE (V)	JUNCTION TEMPERATURE (T _j)	LIFETIME POH ⁽⁵⁾
100% OPP	1.1	-40 to 105 °C	100 K
120% OPP	1.2	-40 to 105 °C	100 K
166% OPP	1.35	-40 to 105 °C	49 K

- This information is provided solely for your convenience and does not extend or modify the warranty provided under TI's standard terms and conditions for TI semiconductor products.
- To avoid significant degradation, the device power-on hours (POH) must be limited to those specified in this table.
- Logic functions and parameter values are not assured out of the range specified in the recommended operating conditions.
- Notations in this table cannot be deemed a warranty or deemed to extend or modify the warranty under TI's standard terms and conditions for TI semiconductor products.
- POH represent device operation under the specified nominal conditions continuously for the duration of the calculated lifetime.

4.4 Recommended Operating Conditions

over operating free-air temperature range (unless otherwise noted)

		MIN	NOM	MAX	UNIT
CHARGER / POWER PATH					
V _{VIN}	Voltage at charger input pin	3.7		28 ⁽¹⁾	V
I _{VIN}	Input current at VIN pin			200	mA
C _{VIN}	Capacitor on VIN pin	0.1	2.2	10	μF
L _{VIN}	Inductance at VIN pin	0		2	μH
V _{SYS}	Voltage at SYS pin	2.5		6.4	V
I _{SYS(OUT)}	Output current at SYS pin			100	mA
C _{SYS}	Capacitor on SYS pin	0.1	4.7	10	μF
V _{BAT}	Voltage at BAT pin	2.5		6.4	V
C _{BAT}	Capacitor on BAT pin	4.7		10	μF
R _{EXT(nCHG_STAT)}	Resistor connected to nCHG_STAT pin to limit current into pin	320			Ω
BOOST CONVERTER / H-BRIDGE SWITCHES					
V _{IN(BST_SW)}	Input voltage for boost converter	2.5		6.5	V
V _{BST_OUT}	Output voltage for boost converter	8		16	V
C _{BST_OUT}	Boost output capacitor	3.3	4.7	10	μF
L _{BST_SW} ⁽²⁾	Inductor connected between SYS and BST_SW pins	4.7		10 ⁽³⁾	μH
LDO					
C _{VLDO}	External decoupling cap on pin VLDO	1		10	μF
POWER MANAGEMENT CORE CONTROL (LOGIC LEVELS FOR GPIOs)					
V _{IL(PMIC)}	GPIO low level (BST_EN, CHG_EN, SW_SEL, VLDO_SET and to switch H-Bridge inputs to a low, 0, level)			0.4	V
V _{IH(PMIC)}	GPIO high level (BST_EN, CHG_EN, SW_SEL, VLDO_SET and to switch H-Bridge inputs to a high, 1, level)	1.2			V

(1) VIN pin has 28 V ESD protection

(2) See [Section 5.3.4](#) for information on boost converter inductor selection.

(3) Design optimized for boost operation with 10 μH inductor

4.5 Thermal Information

THERMAL METRIC		TPS65835	UNIT
		RKP (VQFN)	
		40 PINS	
R _{θJA}	Junction-to-ambient thermal resistance ⁽¹⁾	38.9	°C/W
R _{θJC(top)}	Junction-to-case (top) thermal resistance ⁽²⁾	26.5	°C/W
R _{θJB}	Junction-to-board thermal resistance ⁽³⁾	9.8	°C/W
ψ _{JT}	Junction-to-top characterization parameter ⁽⁴⁾	0.3	°C/W
ψ _{JB}	Junction-to-board characterization parameter ⁽⁵⁾	9.8	°C/W
R _{θJC(bot)}	Junction-to-case (bottom) thermal resistance ⁽⁶⁾	3.5	°C/W

(1) The junction-to-ambient thermal resistance under natural convection is obtained in a simulation on a JEDEC-standard, high-K board, as specified in JESD51-7, in an environment described in JESD51-2a.

(2) The junction-to-case (top) thermal resistance is obtained by simulating a cold plate test on the package top. No specific JEDEC-standard test exists, but a close description can be found in the ANSI SEMI standard G30-88.

(3) The junction-to-board thermal resistance is obtained by simulating in an environment with a ring cold plate fixture to control the PCB temperature, as described in JESD51-8.

(4) The junction-to-top characterization parameter, ψ_{JT}, estimates the junction temperature of a device in a real system and is extracted from the simulation data for obtaining R_{θJA}, using a procedure described in JESD51-2a (sections 6 and 7).

(5) The junction-to-board characterization parameter, ψ_{JB}, estimates the junction temperature of a device in a real system and is extracted from the simulation data for obtaining R_{θJA}, using a procedure described in JESD51-2a (sections 6 and 7).

(6) The junction-to-case (bottom) thermal resistance is obtained by simulating a cold plate test on the exposed (power) pad. No specific JEDEC standard test exists, but a close description can be found in the ANSI SEMI standard G30-88.

4.6 Electrical Characteristics

over operating free-air temperature range (unless otherwise noted)

PARAMETER		TEST CONDITIONS	MIN	TYP	MAX	UNIT
BATTERY CHARGER POWER PATH						
$V_{UVLO(VIN)}$	Undervoltage lockout at power path input, VIN pin	$V_{VIN}: 0\text{ V} \rightarrow 4\text{ V}$	3.2	3.3	3.45	V
$V_{HYS-UVLO(VIN)}$	Hysteresis on UVLO at power path input, VIN pin	$V_{VIN}: 4\text{ V} \rightarrow 0\text{ V}$	200		300	mV
V_{IN-DT}	Input power detection threshold	Input power detected if: ($V_{VIN} > V_{BAT} + V_{IN-DT}$); $V_{BAT} = 3.6\text{ V}$ $V_{VIN}: 3.5\text{ V} \rightarrow 4\text{ V}$	40		140	mV
$V_{HYS-INDT}$	Hysteresis on V_{IN-DT}	$V_{BAT} = 3.6\text{ V}$ $V_{VIN}: 4\text{ V} \rightarrow 3.5\text{ V}$	20			mV
V_{OVP}	Input over-voltage protection threshold	$V_{VIN}: 5\text{ V} \rightarrow 7\text{ V}$	6.4	6.6	6.8	V
$V_{HYS-OVP}$	Hysteresis on OVP	$V_{VIN}: 11\text{ V} \rightarrow 5\text{ V}$		105		mV
$V_{DO(VIN-SYS)}$	VIN pin to SYS pin dropout voltage $V_{VIN} - V_{SYS}$	$I_{SYS} = 150\text{ mA}$ (including I_{BAT}) $V_{VIN} = 4.35\text{ V}$ $V_{BAT} = 3.6\text{ V}$			350	mV
$V_{DO(BAT-SYS)}$	BAT pin to SYS pin dropout voltage $V_{BAT} - V_{SYS}$	$I_{SYS} = 100\text{ mA}$ $V_{VIN} = 0\text{ V}$ $V_{BAT} > 3\text{ V}$			150	mV
$I_{VIN(MAX)}$	Maximum power path input current at pin VIN	$V_{VIN} = 5\text{ V}$		200		mA
$V_{SUP(ENT)}$	Enter battery supplement mode			$V_{SYS} \leq (V_{BAT} - 40\text{ mV})$		V
$V_{SUP(EXIT)}$	Exit battery supplement mode			$V_{SYS} \geq (V_{BAT} - 20\text{ mV})$		V
$V_{SUP(SC)}$	Output short-circuit limit in supplement mode			250		mV
$V_{O(SC)}$	Output short-circuit detection threshold, power-on			0.9		V
BATTERY CHARGER						
I_{CC}	Active supply current into VIN pin	$V_{VIN} = 5\text{ V}$ No load on SYS pin $V_{BAT} > V_{BAT(REG)}$			2	mA
$I_{BAT(SC)}$	Source current for BAT pin short-circuit detection			1		mA
$V_{BAT(SC)}$	BAT pin short-circuit detection threshold		1.6	1.8	2.0	V
$V_{BAT(REG)}$	Battery charger output voltage		-1%	4.20	1%	V
V_{LOWV}	Pre-charge to fast-charge transition threshold		2.9	3.0	3.1	V
I_{CHG}	Charger fast charge current range $I_{CHG} = K_{ISET} / R_{ISET}$	$V_{VIN} = 5\text{ V}$ $V_{BAT(REG)} > V_{BAT} > V_{LOWV}$	5		100	mA
K_{ISET}	Battery fast charge current set factor $I_{CHG} = K_{ISET} / R_{ISET}$	$V_{VIN} = 5\text{ V}$ $I_{VIN(MAX)} > I_{CHG}$ $I_{CHG} = 100\text{ mA}$ No load on SYS pin, thermal loop not active.	-20%	450	20%	A Ω
I_{PRECHG}	Pre-charge current		$0.07 \times I_{CHG}$	$0.10 \times I_{CHG}$	$0.15 \times I_{CHG}$	mA
I_{TERM}	Charge current value for termination detection threshold	$I_{CHG} = 100\text{ mA}$	7	10	15	mA

Electrical Characteristics (continued)

over operating free-air temperature range (unless otherwise noted)

PARAMETER		TEST CONDITIONS	MIN	TYP	MAX	UNIT
V _{RCH}	Recharge detection threshold	V _{BAT} below nominal charger voltage, V _{BAT(REG)}	55	100	170	mV
I _{BAT(DET)}	Sink current for battery detection			1		mA
t _{CHG}	Charge safety timer (18000 seconds = 5 hours)			18000		s
t _{PRECHG}	Pre-charge timer (1800 seconds = 30 minutes)			1800		s
V _{DPPM}	DPPM threshold			V _{BAT} + 100 mV		V
I _{LEAK(nCHG)}	Leakage current for nCHG_STAT pin	V _{nCHG_STAT} = 4.2 V CHG_EN = LOW (Charger disabled)			100	nA
R _{DSOn(nCHG)}	On resistance for nCHG_STAT MOSFET switch			20	60	Ω
I _{MAX(nCHG)}	Maximum input current to nCHG_STAT pin				50	mA
BATTERY CHARGER NTC MONITOR						
I _{TSBIAS}	TS pin bias current			75		μA
V _{COLD}	0°C charge threshold for 10-kΩ NTC (β = 3490)			2100		mV
V _{HYS(COLD)}	Low temperature threshold hysteresis	Battery charging and battery / NTC temperature increasing		300		mV
V _{HOT}	50°C charge threshold for 10-kΩ NTC (β = 3490)			300		mV
V _{HYS(HOT)}	High temperature threshold hysteresis	Battery charging and battery / NTC temperature decreasing		30		mV
BATTERY CHARGER THERMAL REGULATION						
T _{J(REG_LOWER)}	Charger lower thermal regulation limit			75		°C
T _{J(REG_UPPER)}	Charger upper thermal regulation limit			95		°C
T _{J(OFF)}	Charger thermal shutdown temperature			105		°C
T _{J(OFF-HYS)}	Charger thermal shutdown hysteresis			20		°C
LDO						
I _{MAX(LDO)}	Maximum LDO output current, V _{VLDO} = 2.2 V	V _{SYS} = 4.2 V V _{VIN} = 0 V VLDO_SET = 0 V	30			mA
	Maximum LDO output current, V _{VLDO} = 3.0 V	V _{SYS} = 4.2 V V _{VIN} = 0 V VLDO_SET = V _{SYS}	30			mA
I _{SC(LDO)}	Short circuit current limit		30		100	mA
V _{VLDO}	LDO output voltage	VLDO_SET = LOW (VLDO_SET pin connected to DGND) 3.7 V ≤ V _{VIN} ≤ 6.5 V I _{LOAD(LDO)} = -10 mA	2.13	2.2	2.27	V
V _{VLDO}	LDO output voltage	VLDO_SET = HIGH (V _{VLDO_SET} = V _{SYS}) 3.7 V ≤ V _{VIN} ≤ 6.5 V I _{LOAD(LDO)} = -10 mA	2.91	3.0	3.09	V
V _{DO(LDO)}	LDO Dropout voltage	V _{VIN} - V _{VLDO} when in dropout I _{LOAD(LDO)} = -10 mA			200	mV

Electrical Characteristics (continued)

over operating free-air temperature range (unless otherwise noted)

PARAMETER		TEST CONDITIONS	MIN	TYP	MAX	UNIT
	Line regulation	$3.7\text{ V} \leq V_{\text{VIN}} \leq 6.5\text{ V}$ $I_{\text{LOAD(LDO)}} = -10\text{ mA}$	-1%		1%	
	Load regulation	$V_{\text{VIN}} = 3.5\text{ V}$ $0.1\text{ mA} \leq I_{\text{LOAD(LDO)}} \leq -10\text{ mA}$	-2%		2%	
PSRR	Power supply rejection ratio	at 20 KHz, $I_{\text{LOAD(LDO)}} = 10\text{ mA}$ $V_{\text{DO(LDO)}} = 0.5\text{ V}$ $C_{\text{VLDO}} = 10\text{ }\mu\text{F}$		45		dB
BOOST CONVERTER						
$I_{\text{Q(BST)}}$	Boost operating quiescent current	Boost Enabled, BST_EN = High $I_{\text{OUT(BST)}} = 0\text{ mA}$ (boost is not switching) $V_{\text{BAT}} = 3.6\text{ V}$		2	4.5	μA
$R_{\text{DSON(BST)}}$	Boost MOSFET switch on-resistance	$V_{\text{IN(BST)}} = 2.5\text{ V}$ $I_{\text{SW(MAIN)}} = 200\text{ mA}$		0.8	1.2	Ω
$I_{\text{LKG(BST_SW)}}$	Leakage into BST_SW pin (includes leakage into analog h-bridge switches)	BST_EN signal = LOW (Boost disabled) $V_{\text{BST_SW}} = 4.2\text{ V}$ No load on BST_OUT pin			90	nA
$I_{\text{SWLIM(BST)}}$	Boost MOSFET switch current limit		100	150	200	mA
$V_{\text{DIODE(BST)}}$	Voltage across integrated boost diode during normal operation	BST_EN signal = HIGH $V_{\text{BST_SW}} = 16.0\text{ V}$ $I_{\text{BST_OUT}} = -2\text{ mA}$			1.0	V
$V_{\text{REF(BST)}}$	Boost reference voltage on BST_FB pin		1.17	1.2	1.23	V
$V_{\text{REFHYS(BST)}}$	Boost reference voltage hysteresis on BST_FB pin		2%	2.5%	3.2%	
$T_{\text{ON(BST)}}$	Maximum on time detection threshold		5	6.5	8	μs
$T_{\text{OFF(BST)}}$	Minimum off time detection threshold		1.4	1.75	2.1	μs
$T_{\text{SHUT(BST)}}$	Boost thermal shutdown threshold			105		$^{\circ}\text{C}$
$T_{\text{SHUT-HYS(BST)}}$	Boost thermal shutdown threshold hysteresis			20		$^{\circ}\text{C}$
FULL H-BRIDGE ANALOG SWITCHES						
$I_{\text{Q(HSW)}}$	Operating quiescent current for h-bridge switches				5	μA
$R_{\text{DSON(HSW)}}$	H-bridge switches on resistance			20	40	Ω
$T_{\text{DELAY(HSW-H)}}$	H-bridge switch propagation delay, input switched from low to high state.	$V_{\text{HBxy}} = 0\text{ V} \rightarrow V_{\text{VLDO}}$		100		ns
$T_{\text{DELAY(HSW-L)}}$	H-bridge switch propagation delay, input switched from high to low state.	$V_{\text{HBxy}} = V_{\text{VLDO}} \rightarrow 0\text{ V}$		100		ns
POWER MANAGEMENT CORE CONTROLLER						
$V_{\text{IL(PMIC)}}$	Low logic level for logic signals on power management core (BST_EN, CHG_EN, SLEEP, HBR1, HBR2, HBL1, HBL2)	IO logic level decreasing: $V_{\text{SYS}} \rightarrow 0\text{ V}$ $I_{\text{IN}} = 1\text{ mA}$			0.4	V
$V_{\text{IH(PMIC)}}$	High logic level for signals on power management core (BST_EN, CHG_EN, SLEEP, HBR1, HBR2, HBL1, HBL2)	IO logic level increasing: $0\text{ V} \rightarrow V_{\text{SYS}}$ $I_{\text{IN}} = 1\text{ mA}$	1.2			V

Electrical Characteristics (continued)

over operating free-air temperature range (unless otherwise noted)

PARAMETER	TEST CONDITIONS	MIN	TYP	MAX	UNIT
V _{GOOD(LDO)}	Power fault detection threshold			1.96	V
V _{GOOD_HYS(LDO)}	Power fault detection hysteresis		50		mV
V _{BATCOMP}	COMP pin voltage (scaled down battery voltage)	V _{BAT} = 4.2 V V _{VLDO} = 2.2 V	1.85		V
		V _{BAT} = 2.5 V V _{VLDO} = 2.2 V	1.10		
		V _{BAT} = 4.2 V V _{VLDO} = 3.0 V	1.90		
		V _{BAT} = 3.3 V V _{VLDO} = 3.0 V	1.50		

4.7 Quiescent Current

over operating free-air temperature range (unless otherwise noted)

PARAMETER	TEST CONDITIONS	MIN	TYP	MAX	UNIT
I _{Q(SLEEP)}	Power management core quiescent current in sleep mode at 25° C V _{BAT} = 3.6 V V _{VIN} = 0 V No load on LDO CHG_EN, BST_EN grounded BST_FB = 300 mV Power management core in sleep mode / device 'off'		8.6	10.5	µA
I _{Q(ACTIVE)}	Power management core quiescent current in active mode at 25° C V _{BAT} = 3.6 V V _{VIN} = 0 V Boost enabled but not switching, H-bridge in grounded state No load on LDO Power management core in active mode		39	53.5	µA

4.8 Typical Characteristics

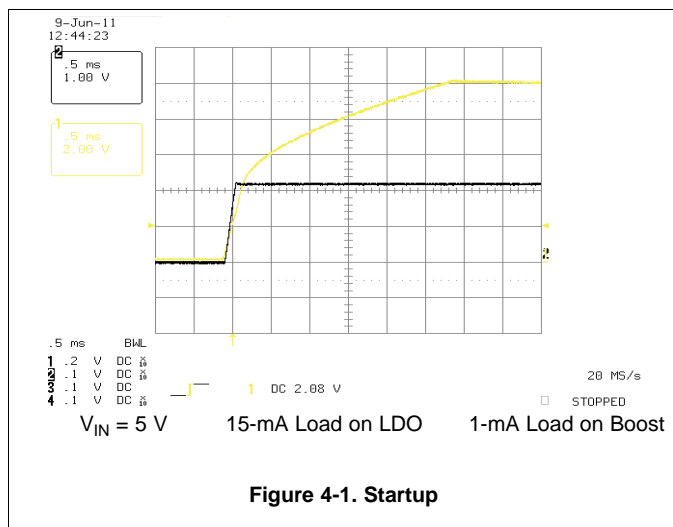


Figure 4-1. Startup

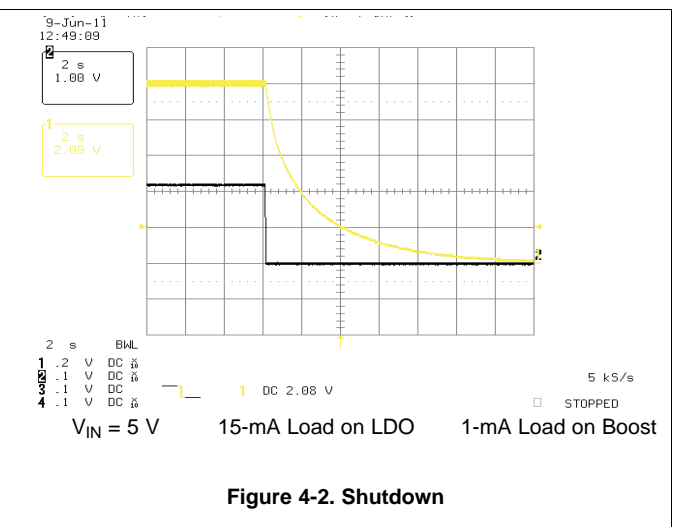


Figure 4-2. Shutdown

5 Detailed Description

5.1 Overview

The TPS65835 integrates a linear charger, Boost Converter and an MSP430 to create a PMIC for active shutter 3D glasses.

5.2 Functional Block Diagram

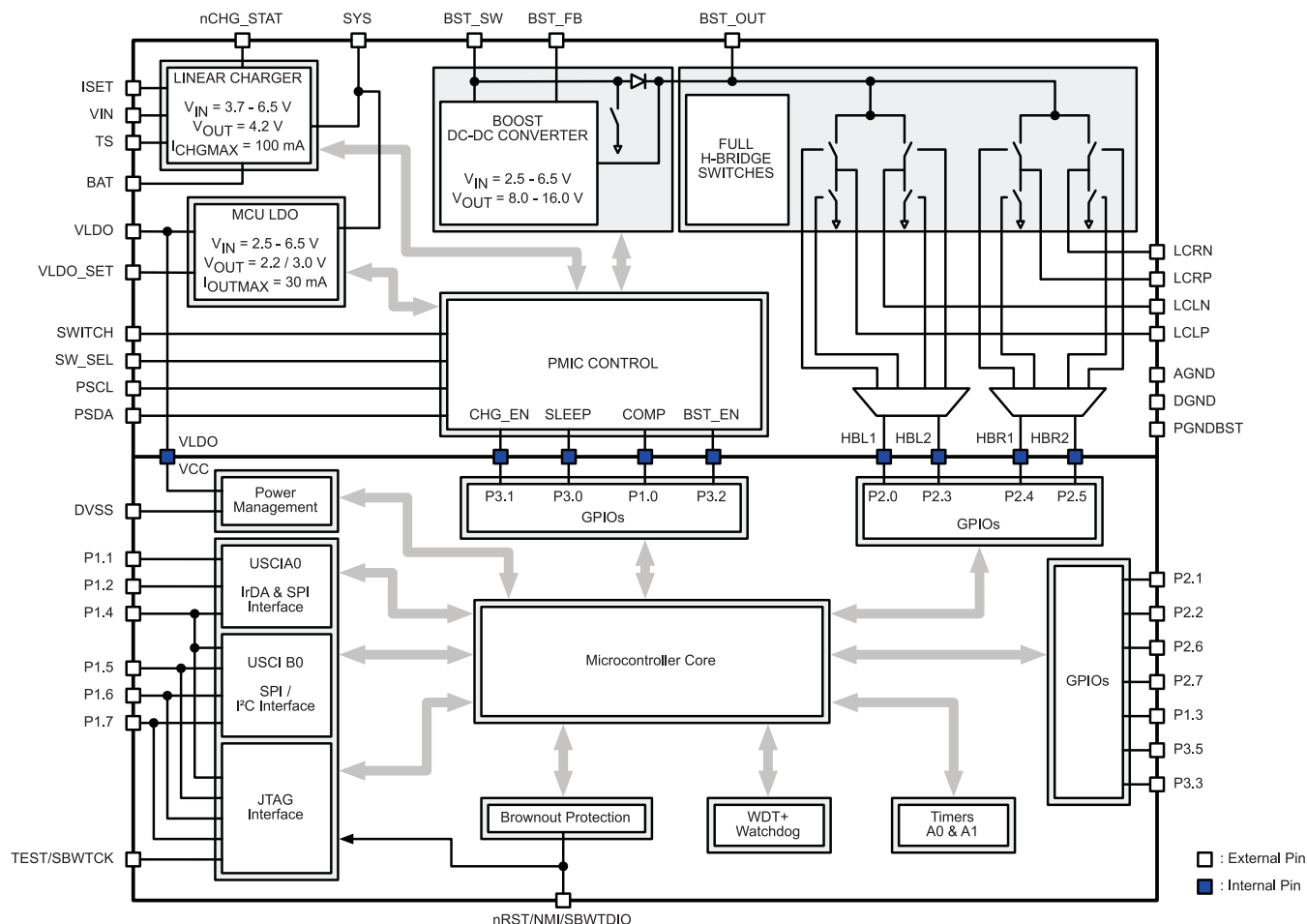


Figure 5-1. TPS65835 Simplified Functional Block Diagram

5.3 Feature Description

5.3.1 System Operation

The system must complete the power up routine before it enters normal operating mode. The specific system operation depends on the setting defined by the state of the SW_SEL pin. The details of the system operation for each configuration of the SW_SEL pin are contained in this section.

5.3.1.1 System Power Up

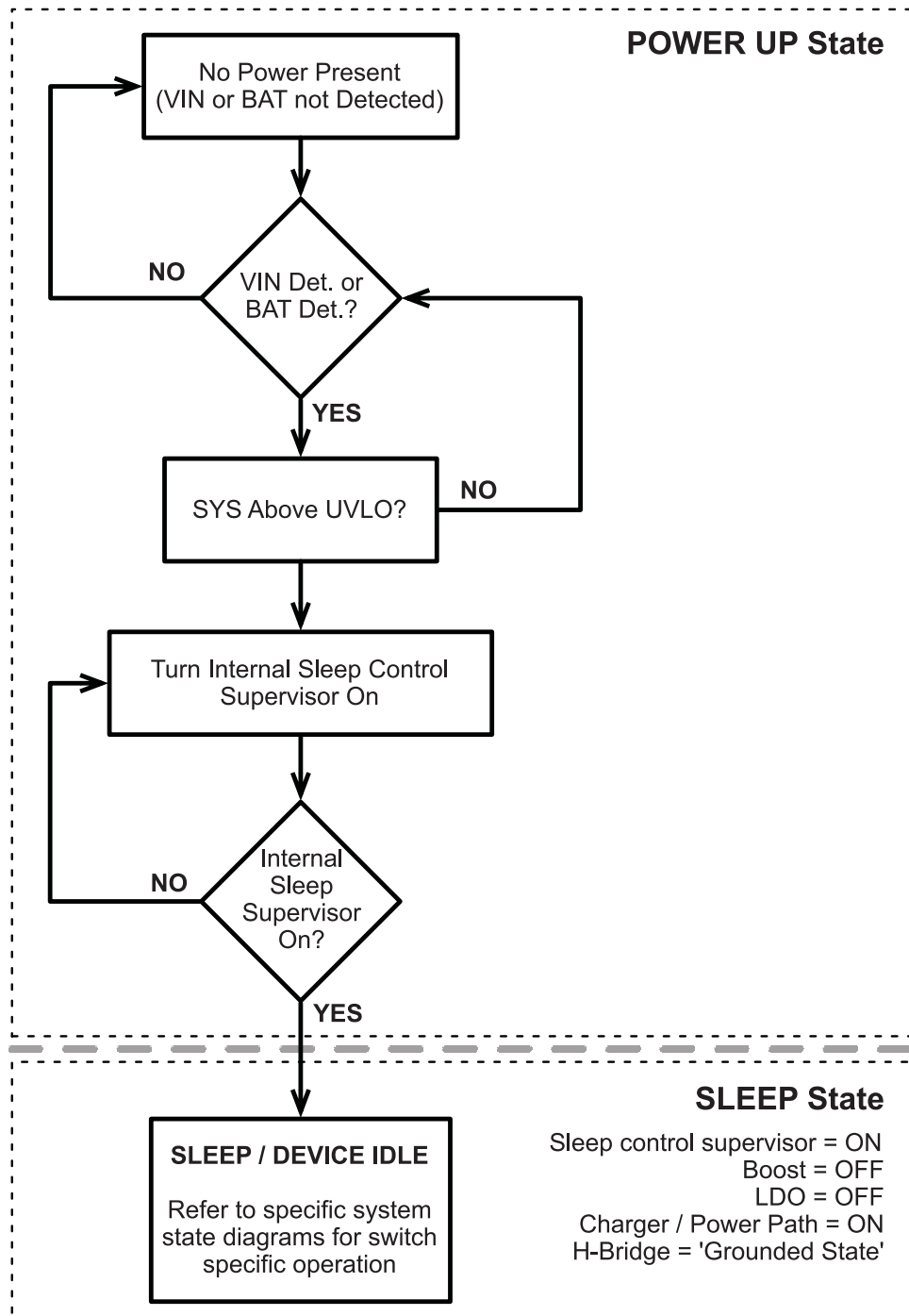


Figure 5-2. System Power Up State Diagram

5.3.1.2 System Operation Using Push Button Switch

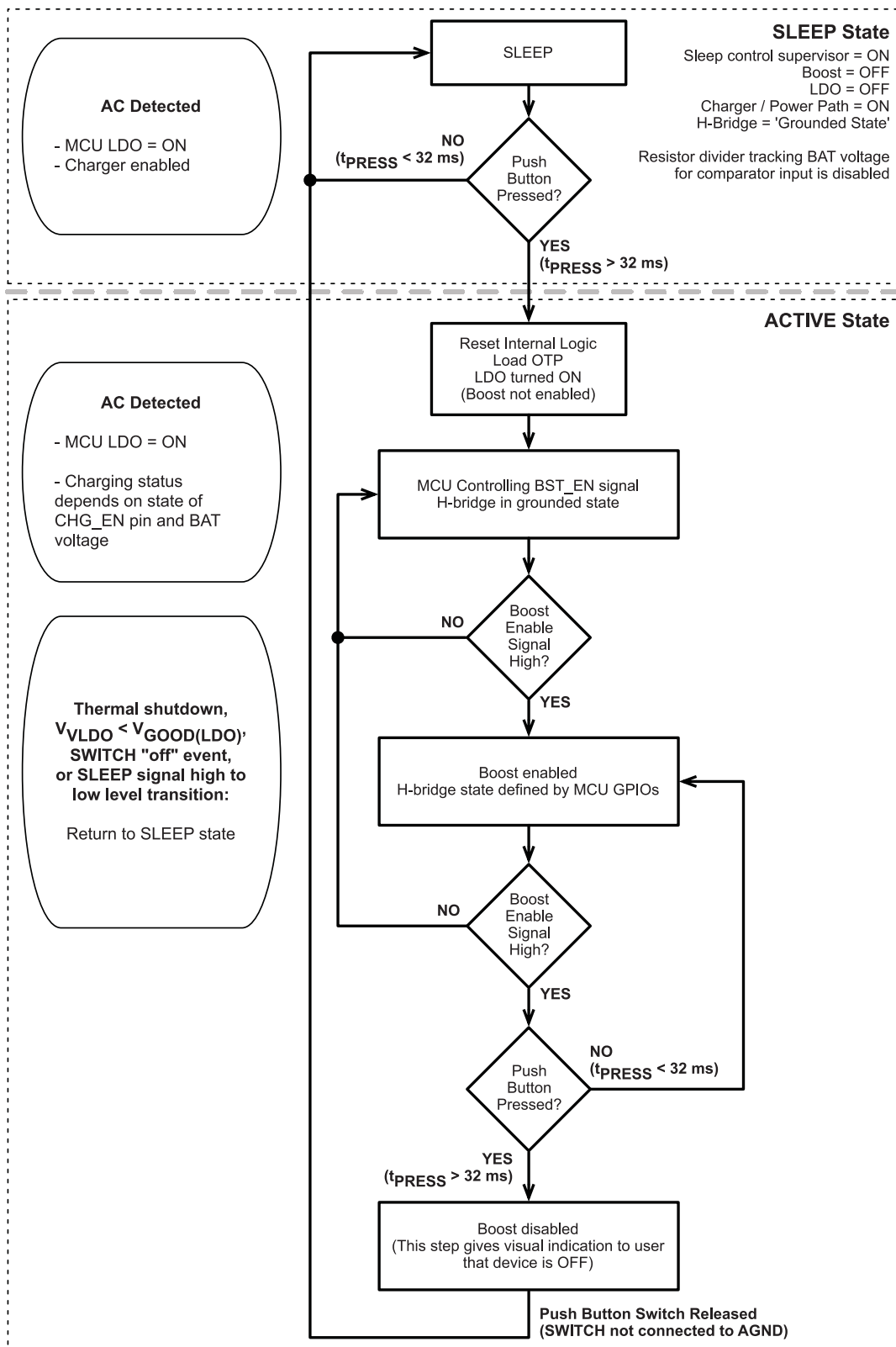


Figure 5-3. Push Button State Diagram

5.3.1.3 System Operation Using Slider Switch

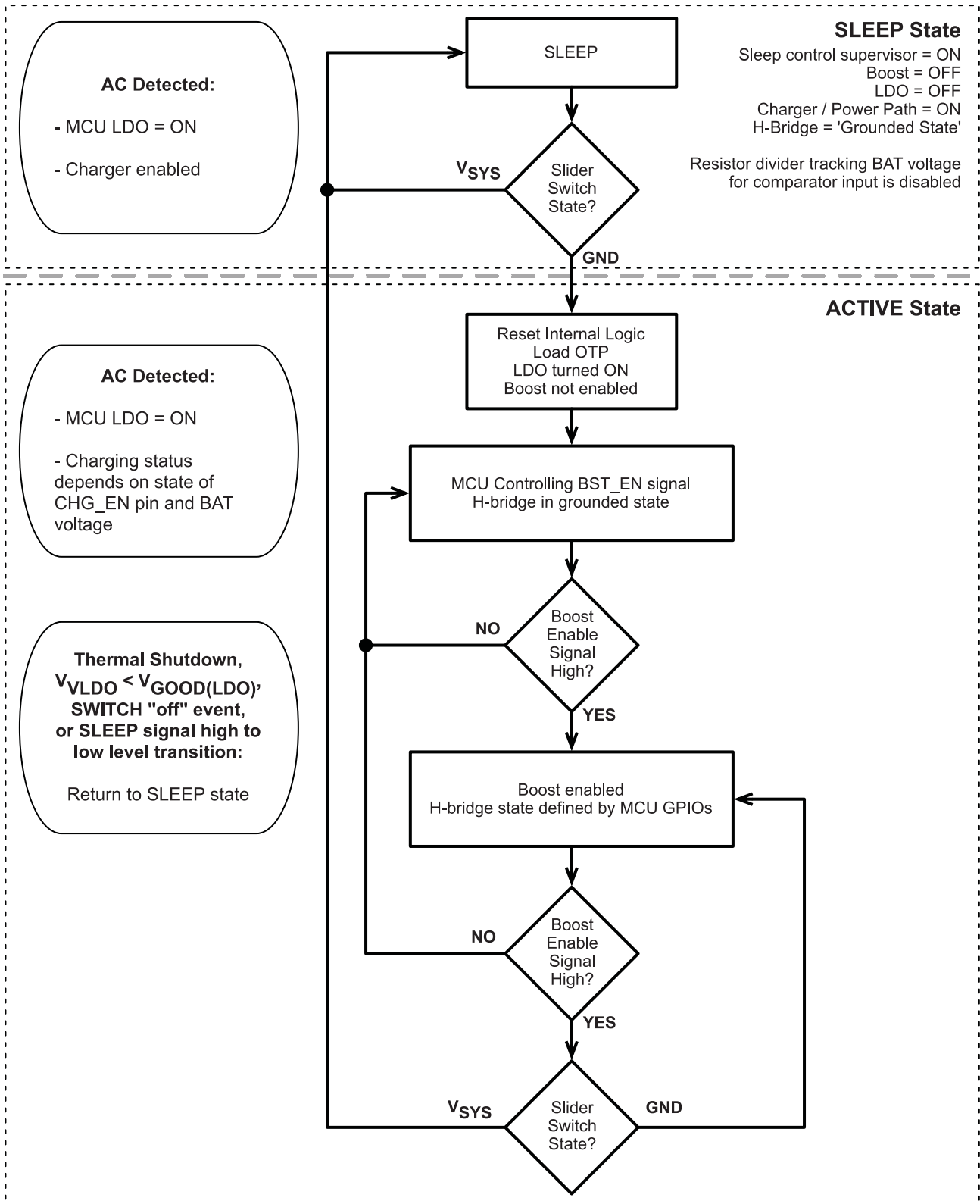


Figure 5-4. System Operation Using Slider Switch

5.3.2 Linear Charger Operation

This device has an integrated Li-Ion battery charger and system power path management feature targeted at space-limited portable applications. The architecture powers the system while simultaneously and independently charging the battery. This feature reduces the number of charge and discharge cycles on the battery, allows for proper charge termination, and enables the system to run with a defective or absent battery pack. It also allows instant system turn-on even with a totally discharged battery.

The input power source for charging the battery and running the system can be an AC adapter or USB port connected to the VIN pin as long as the input meets the device operating conditions outlined in this datasheet. The power-path management feature automatically reduces the charging current if the system load increases. Note that the charger input, VIN, has voltage protection up to 28 V.

5.3.2.1 Battery and TS Detection

To detect and determine between a good or damaged battery, the device checks for a short circuit on the BAT pin by sourcing $I_{BAT(SC)}$ to the battery and monitoring the voltage on the BAT pin. While sourcing this current if the BAT pin voltage exceeds $V_{BAT(SC)}$, a battery has been detected. If the voltage stays below the $V_{BAT(SC)}$ level, the battery is presumed to be damaged and not safe to charge.

The device will also check for the presence of a 10-k Ω NTC thermistor attached to the TS pin of the device. The check for the NTC thermistor on the TS pin is done much like the battery detection feature described previously. The voltage on the TS pin is compared against a defined level and if it is found to be above the threshold, the NTC thermistor is assumed to be disconnected or not used in the system. To reduce the system quiescent current, the NTC thermistor temperature sensing function is only enabled when the device is charging and when the thermistor has been detected.

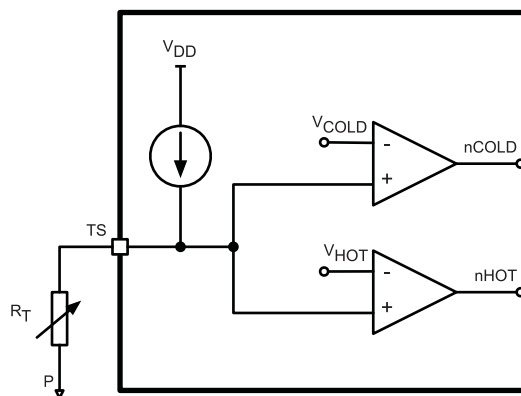


Figure 5-5. Thermistor Detection and Circuit

5.3.2.2 Battery Charging

The battery is charged in three phases: conditioning pre-charge, constant-current fast charge (current regulation), and a constant-voltage tapering (voltage regulation). In all charge phases, an internal control loop monitors the IC junction temperature and reduces the charge current if an internal temperature threshold is exceeded. [Figure 5-6](#) shows what happens in each of the three charge phases:

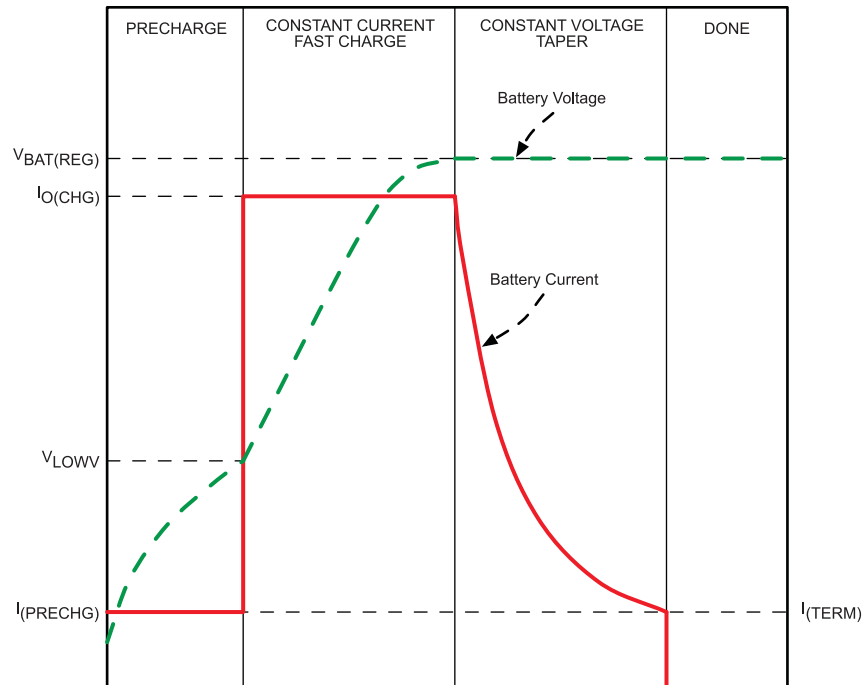


Figure 5-6. Battery Charge Phases

In the pre-charge phase, the battery is charged with the pre-charge current that is scaled to be 10% of the fast-charge current set by the resistor connected to the ISET pin. Once the battery voltage crosses the V_{LOWV} threshold, the battery is charged with the fast-charge current (I_{CHG}). As the battery voltage reaches $V_{BAT(REG)}$, the battery is held at a constant voltage of $V_{BAT(REG)}$ and the charge current tapers off as the battery approaches full charge. When the battery current reaches I_{TERM} , the charger indicates charging is done by making the nCHG_STAT pin high impedance. Note that termination detection is disabled whenever the charge rate is reduced from the set point because of the actions of the thermal loop, the DPM loop, or the $V_{IN(LOWV)}$ loop.

5.3.2.2.1 Pre-charge

The value for the pre-charge current is set to be 10% of the charge current that is set by the external resistor, R_{ISET} . Pre-charge current is scaled to lower currents when the charger is in thermal regulation.

5.3.2.2.2 Charge Termination

In the fast charge state, once $V_{BAT} \geq V_{BAT(REG)}$, the charger enters constant voltage mode. In constant voltage mode, the charge current will taper until termination when the charge current falls below the $I_{(TERM)}$ threshold (typically 10% of the programmed fast charge current). Termination current is not scaled when the charger is in thermal regulation. When the charging is terminated, the nCHG_STAT pin will be high impedance (effectively turning off any LED that is connected to this pin).

5.3.2.2.3 Recharge

Once a charge cycle is complete and termination is reached, the battery voltage is monitored. If $V_{BAT} < V_{BAT(REG)} - V_{RCH}$, the device determines if the battery has been removed. If the battery is still present, then the recharge cycle begins and will end when $V_{BAT} \geq V_{BAT(REG)}$.

5.3.2.2.4 Charge Timers

The charger in this device has internal safety timers for the pre-charge and fast charge phases to prevent potential damage to either the battery or the system. The default values for these timers are found as follows: Pre-charge timer = 0.5 hours (30 minutes) and Fast charge timer = 5 hours (300 minutes).

During the fast charge phase, the following events may increase the timer durations:

1. The system load current activates the DPM loop which reduces the available charging current
2. The input current is reduced because the input voltage has fallen to $V_{IN(Low)}$
3. The device has entered thermal regulation because the IC junction temperature has exceeded $T_{J(REG)}$

During each of these events, the internal timers are slowed down proportionately to the reduction in charging current.

If the pre-charge timer expires before the battery voltage reaches V_{LOWV} , the charger indicates a fault condition.

5.3.2.3 Charger Status (nCHG_STAT Pin)

The nCHG_STAT pin is used to indicate the charger status by an externally connected resistor and LED circuit. The pin is an open drain input and the internal switch is controlled by the logic inside of the charger. This pin may also be connected to a GPIO of the system MCU to indicate charging status. The table below details the status of the nCHG_STAT pin for various operating states of the charger.

Table 5-1. nCHG_STAT Functionality

CHARGING STATUS	nCHG_STAT FET / LED
Pre-charge / Fast Charge / Charge Termination	ON
Recharge	OFF
OVP	OFF
SLEEP	OFF

5.3.3 LDO Operation

The power management core has a low dropout linear regulator (LDO) with variable output voltage capability. This LDO is used for supplying the microcontroller and may be used to supply either an external IR or RF module, depending on system requirements. The LDO can supply a continuous current of up to 30 mA.

The output voltage (V_{VLDO}) of the LDO is set by the state of the VLDO_SET pin. See [Table 5-2](#) for details on setting the LDO output voltage.

Table 5-2. VLDO_SET Functionality

VLDO_SET STATE	VLDO OUTPUT VOLTAGE (V_{VLDO})
Low ($VLDO_SET < V_{IL(PMIC)}$)	2.2 V
High ($VLDO_SET > V_{IH(PMIC)}$)	3.0 V

5.3.3.1 LDO Internal Current Limit

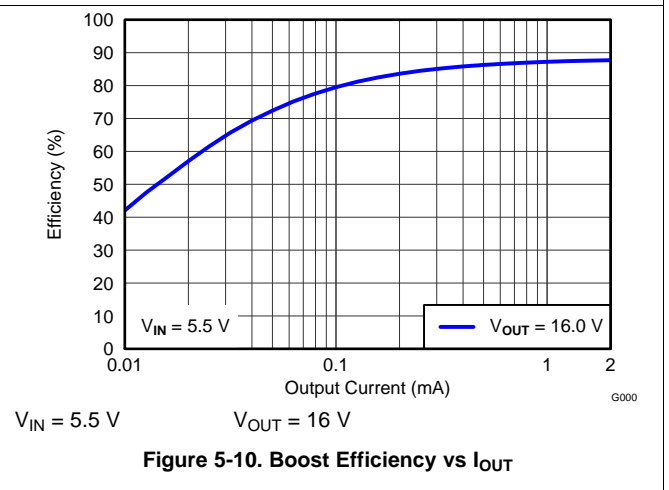
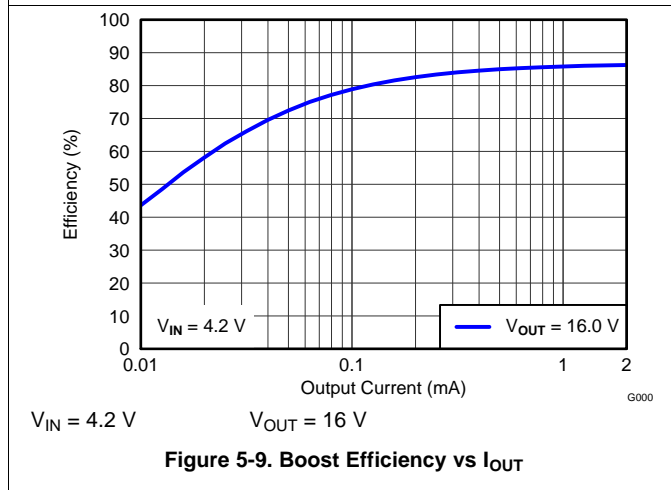
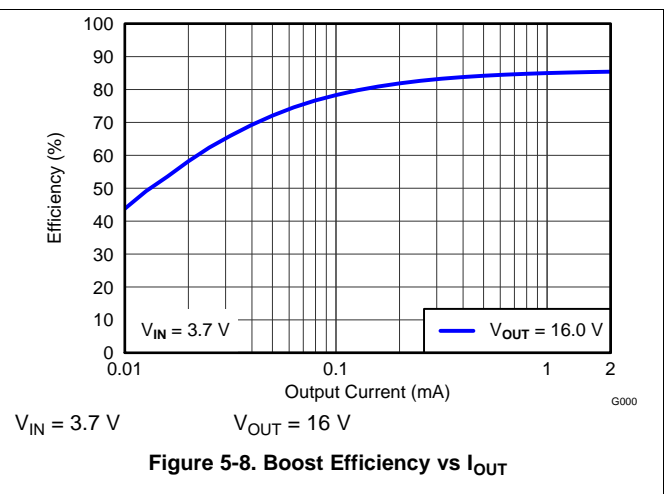
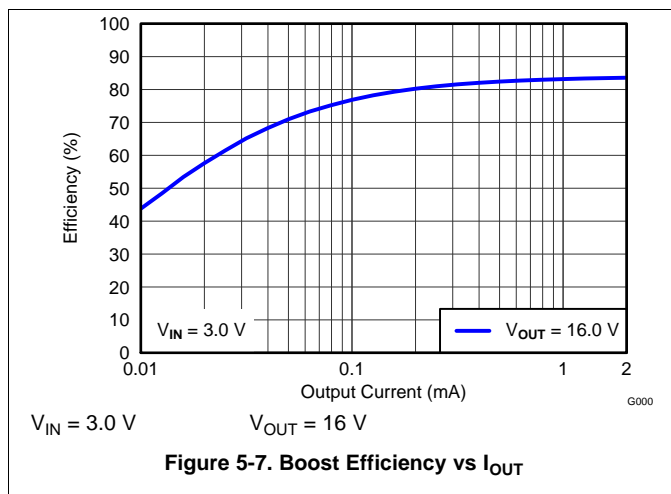
The internal current limit feature helps protect the LDO regulator during fault conditions. During current limit, the output sources a fixed amount of current, defined in the Electrical Characteristics table. The voltage on the output in this stage can not be regulated and will be $V_{OUT} = I_{LIMIT} \times R_{LOAD}$. The pass transistor integrated into the LDO will dissipate power, $(V_{IN} - V_{OUT}) \times I_{LIMIT}$, until the device enters thermal shutdown. In thermal shutdown the device will enter the *SLEEP / POWER OFF* state which means that the LDO will then be disabled and shut off.

5.3.4 Boost Converter Operation

The boost converter in this device is designed for active shutter 3D glasses. This load is typically a light load where the average current is 2 mA or lower and the peak current out of a battery is limited in operation. This asynchronous boost converter operates with a minimum off time / maximum on time for the integrated low side switch, these values are specified in the Electrical Characteristics table of this datasheet.

The peak output voltage from the boost converter is adjustable and set by using an external resistor divider connected between BST_OUT pin, BST_FB pin, and ground. The peak output voltage is set by choosing resistors for the feedback network such that the voltage on the BST_FB pin is $V_{REF(BST)} = 1.2\text{ V}$. See Section 6.2.1.2.1 for more information on calculating resistance values for this feedback network.

The efficiency curves for various input voltages over the typical 3D glasses load range (2 mA and lower) are shown below. All curves are for a target V_{OUT} of 16 V. For output voltages less than 16 V, a higher efficiency at each operating input voltage should be expected. Note that efficiency is dependent upon the external boost feedback network resistance, the inductor used, and the type of load connected.



5.3.4.1 Boost Thermal Shutdown

An internal thermal shutdown mode is implemented in the boost converter that shuts down the device if the typical junction temperature of 105°C is exceeded. If the device is in thermal shutdown mode, the main switch of the boost is open and the device enters the *SLEEP / POWER OFF* state.

5.3.4.2 Boost Load Disconnect

When the boost is disabled (BST_EN = LOW), the H-bridge is automatically placed into the OFF state. In the OFF state the high side H-bridge switches are open and the low side switches of the H-bridge are closed. The OFF state grounds and discharges the load, potentially prolonging the life of the LC shutters by eliminating any DC content (see Section 5.3.5.1 for more information regarding the H-bridge states). The disconnection of the load is done with the H-Bridge and can be seen in the next figure (Figure 5-11).

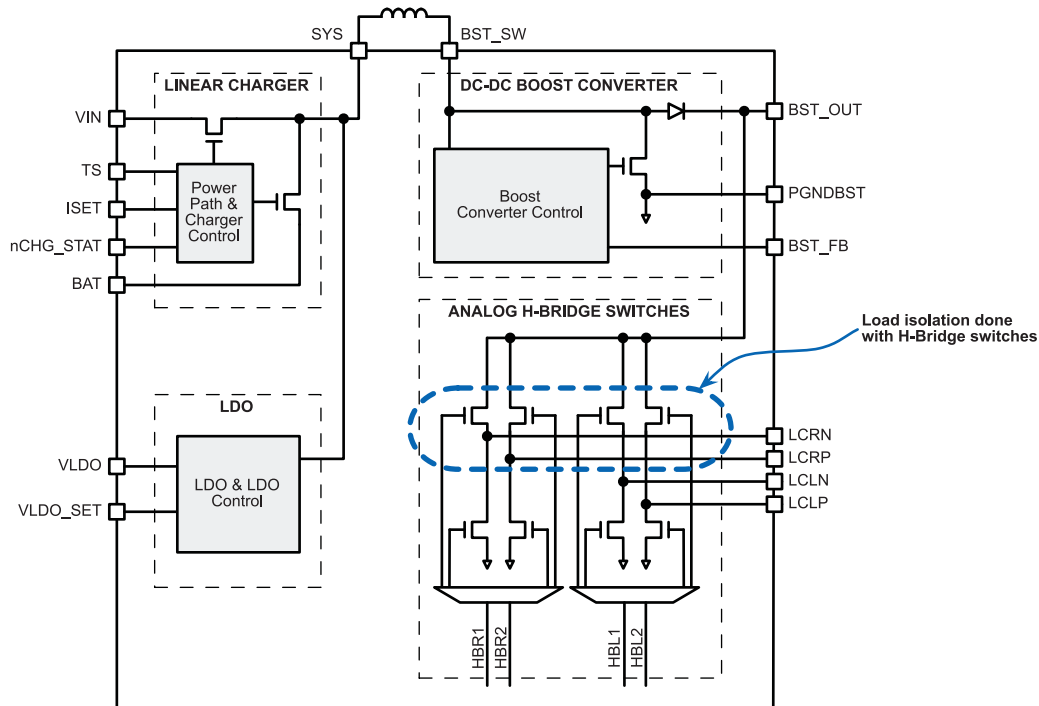


Figure 5-11. Boost Load Disconnect

An advantage to this topology for disconnecting the load is that the boost output capacitor is charged to approximately the SYS voltage level, specifically $V_{SYS} - V_{DIODE(BST)}$, when the boost is disabled. This design ensures that there is not a large in-rush current into the boost output capacitor when the boost is enabled. The boost operation efficiency is also increased because there is no load disconnect switch in the boost output path. A load disconnect switch would decrease efficiency because of the resistance that it would introduce.

5.3.5 Full H-Bridge Analog Switches

The TPS65835 has two integrated full H-bridge analog switches that are connected to GPIO ports on the MSP430 and can be controlled by the MSP430 core for various system functions. There is an internal level shifter that manages the input signals to the H-Bridge switches.

5.3.5.1 H-Bridge Switch Control

The H-Bridge switches are controlled by the MSP430 core for system operation - specifically to control charge polarity on the LCD shutters. Depending on the state of the signals from the MSP430 core, the H-Bridge will be put into 4 different states. These states are:

- **OPEN:** All Switches Opened
- **CHARGE+:** Boost Output Voltage Present on Pins LCLP or LCRP
- **CHARGE-:** Boost Output Voltage Present on Pins LCLN or LCRN
- **GROUND:** High side switches are opened and low side switches are closed

If CHARGE+ state is followed by the CHARGE- state, the voltage across the capacitor connected to the H-Bridge output terminals will be reversed. The system automatically switches to the GROUNDED state when the boost is disabled by the BST_EN pin. For more details, see [Section 5.3.1](#).

Table 5-3. H-Bridge States from Inputs

HBx2 [HBL2 & HBR2]	HBx1 [HBL1 & HBR1]	H-Bridge STATE
0	0	OPEN
0	1	CHARGE +
1	0	CHARGE -
1	1	GROUNDED

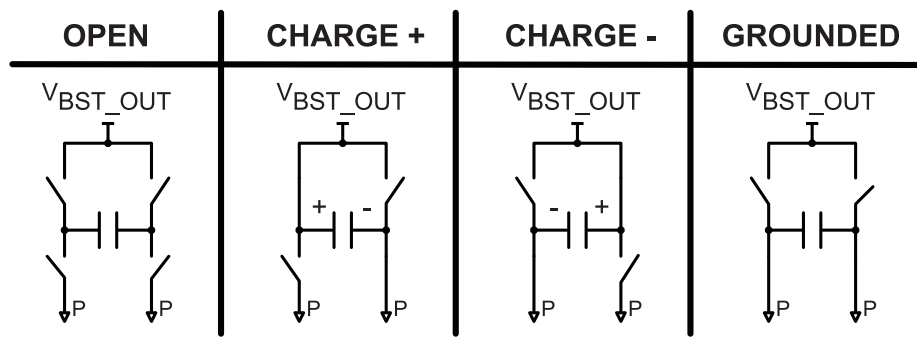


Figure 5-12. H-Bridge States

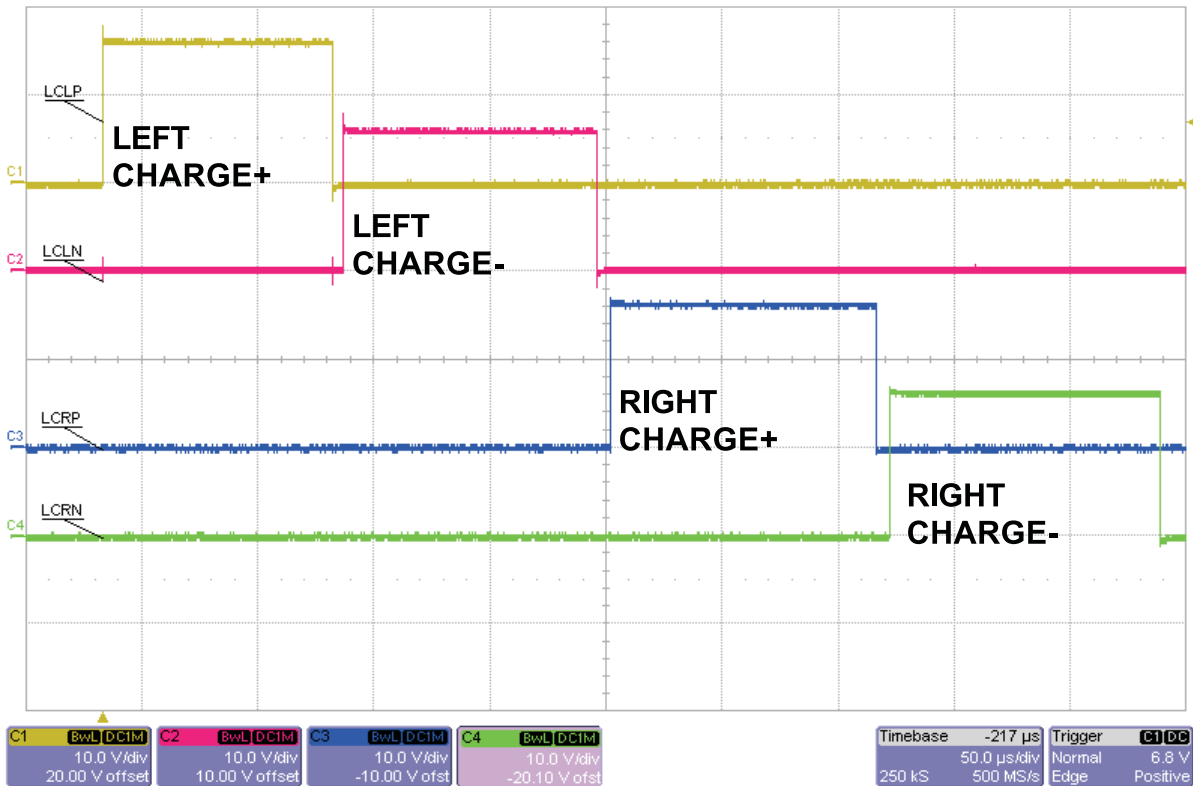


Figure 5-13. H-Bridge States from Oscilloscope

5.3.6 Power Management Core Control

The power management core is controlled with external pins that can set system behavior by their status along with internal connections to GPIOs from the MSP430. The internal connections to the GPIOs from the MSP430 can be modified through the code implemented in the MSP430.

5.3.6.1 SLEEP / Power Control Pin Function

The internal SLEEP signal between the power management device and the MSP430 can be used to control the power down behavior of the device. This has multiple practical applications such as a watchdog implementation for the communication between the sender (TV) and the receiver (3D glasses) or different required system on and off times; typically when the push-button press timing for an off event is a few seconds in length, programmable by software in the system MCU.

If there is a requirement that the push-button press for system on and off events are different, the SLEEP signal must be set to a logic high value ($V_{SLEEP} > V_{IH(PMIC)}$) upon system startup. This implementation allows the device to power down the system on the falling edge of the SLEEP signal (when: $V_{SLEEP} < V_{IL(PMIC)}$).

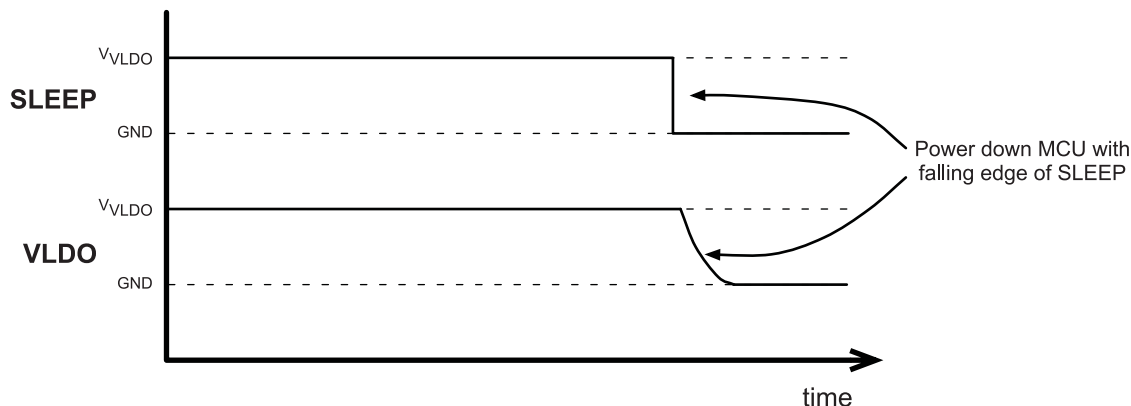


Figure 5-14. SLEEP Signal to Force System Power Off

5.3.6.2 COMP Pin Functionality

The COMP pin is used to output a scaled down voltage level related to the battery voltage for input to the comparator of the MSP430. Applications for this COMP feature could be to generate an interrupt on the MSP430 when the battery voltage drops under a threshold and the device can then be shut down or indicate to the end user with an LED that the battery requires charging.

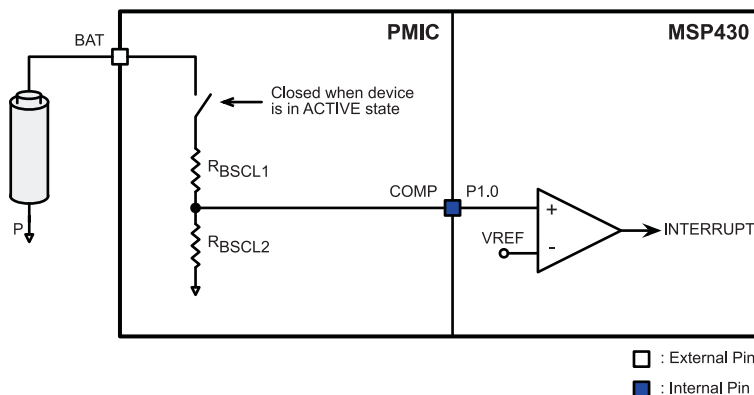


Figure 5-15. COMP Pin Internal Connection

Table 5-4. Scaling Resistors for COMP Pin Function
($V_{VLDO} = 2.2\text{ V}$)

SCALING RESISTORS FOR COMP PIN FUNCTION	VALUE
R_{BSCL1}	3.0 M Ω
R_{BSCL2}	2.36 M Ω

Table 5-5. Scaling Resistors for COMP Pin Function
($V_{VLDO} = 3.0\text{ V}$)

SCALING RESISTORS FOR COMP PIN FUNCTION	VALUE
R_{BSCL1}	3.0 M Ω
R_{BSCL2}	2.48 M Ω

Using the designed values in [Table 5-4](#) or [Table 5-5](#), the voltage on the COMP pin will be: $V_{COMP} = 0.5 \times V_{VLDO} + 300\text{ mV}$. This ensures that the COMP pin voltage will be close to half of the LDO output voltage plus the LDO dropout voltage of the device. The COMP pin can also be used as an input to ADC channel A0 of the integrated MSP430 microcontroller. This is useful if greater measurement accuracy or increased functionality is desired from this function.

5.3.6.3 SW_SEL Pin Functionality

The SW_SEL pin is used to select what type of switch is connected to the SWITCH pin of the device. Selection between a push-button and a slider switch can be made based on the state of this pin.

Table 5-6. SW_SEL Settings

SW_SEL STATE	TYPE OF SWITCH SELECTED
Low ($V_{SW_SEL} < V_{IL(PMIC)}$)	Slider Switch
High ($V_{SW_SEL} > V_{IH(PMIC)}$)	Push-button

When the push button switch type is selected, the device will debounce the SWITCH input with a 32-ms timer for both the ON and OFF events and either power on or off the device. Using the push-button switch function, the ON and OFF timings are equal; $t_{ON} = t_{OFF}$. If the system requirements are such that the on and off timings should be different, $t_{ON} \neq t_{OFF}$, then refer to the following section for the correct system setup: [Section 6.2.1.2.2](#). When the slider switch operation is selected, the SWITCH pin must be externally pulled up to the SYS voltage with a resistor and the output connected to the slider switch. When the SWITCH pin is pulled to ground, the device will turn on and enter the power up sequence.

5.3.6.4 SWITCH Pin

The SWITCH pin behavior is defined by the SW_SEL pin ([Section 5.3.6.3](#)) which defines the type of switch that is connected to the system; either a slider switch or push-button.

5.3.6.5 Slider Switch Behavior

If a slider switch is connected in the system then the system power state and VLDO output (which powers the internal MSP430) is defined by the state of the slider switch. If the slider is in the *off* position than the SWITCH pin should be connected to the SYS pin. If the slider is in the *on* position than the SWITCH pin should be connected to ground. [Figure 5-16](#) details the system operation using the slider switch configuration.

SWITCH Power On-Off Behavior Slider Switch

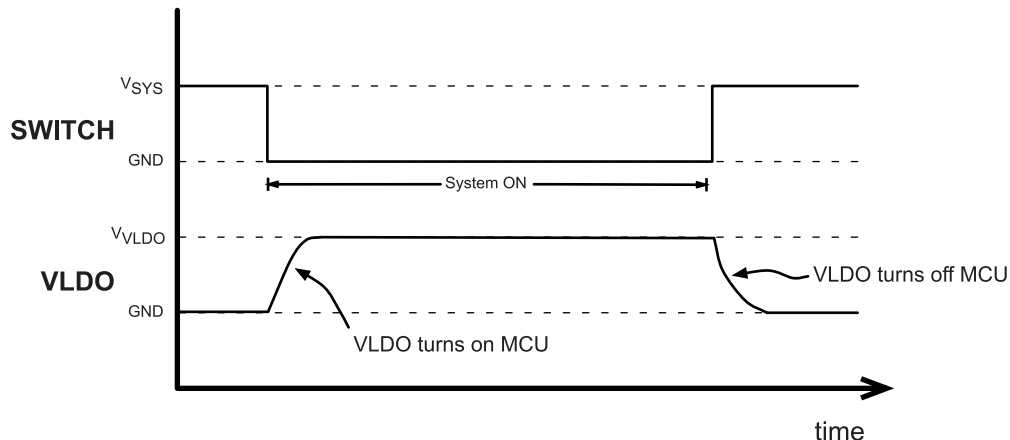


Figure 5-16. SWITCH, Slider Power On-Off Behavior

5.3.6.6 Push-Button Switch Behavior

The system is powered on or off by a push-button press after a press that is greater than 32 ms. The following figures (Figure 5-17 and Figure 5-18) show the system behavior and the expected VLDO output during the normal push-button operation where the ON and OFF press timings are the same value, $t_{ON} = t_{OFF}$.

SWITCH Power On Behavior Push-button, Normal

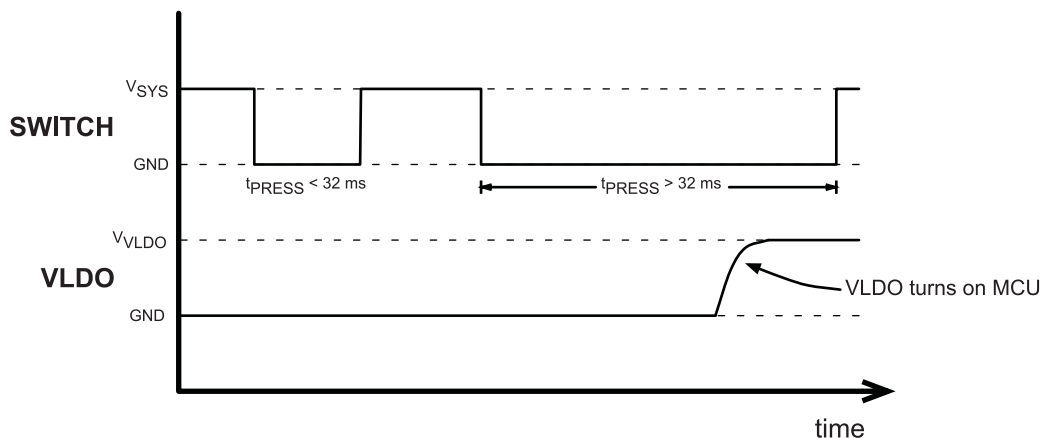


Figure 5-17. SWITCH, Push-button Power On Behavior

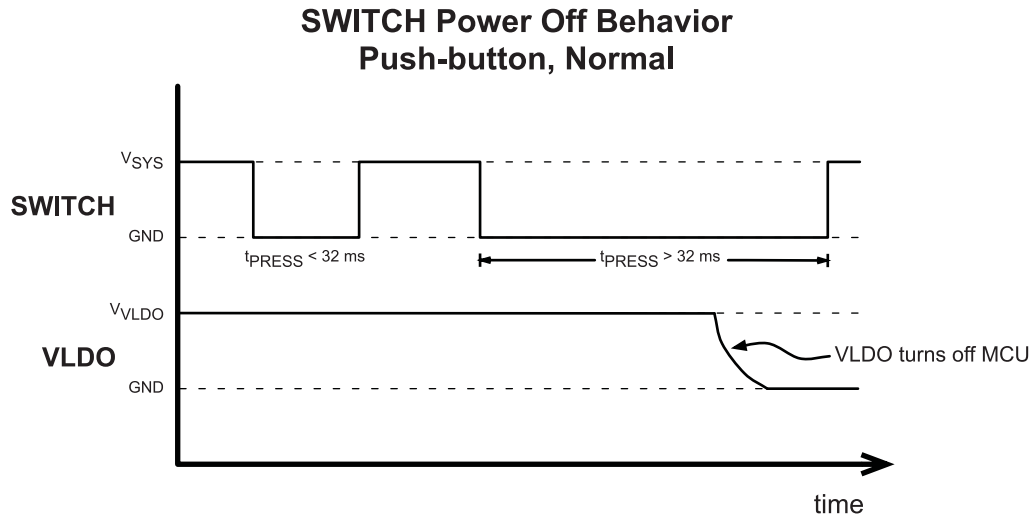


Figure 5-18. SWITCH, Push-Button Power Off Behavior

5.4 Device Functional Modes

5.4.1 SLEEP State

If the device is in the SLEEP State or Device IDLE mode, the Sleep control supervisor and the battery charger/power path remain active. The Boost and LDO are disabled.

5.4.2 NORMAL Operating Mode

Once the system completes the power up routine, it enters the normal operating mode. The specific system operation is set by the SW_SEL pin.

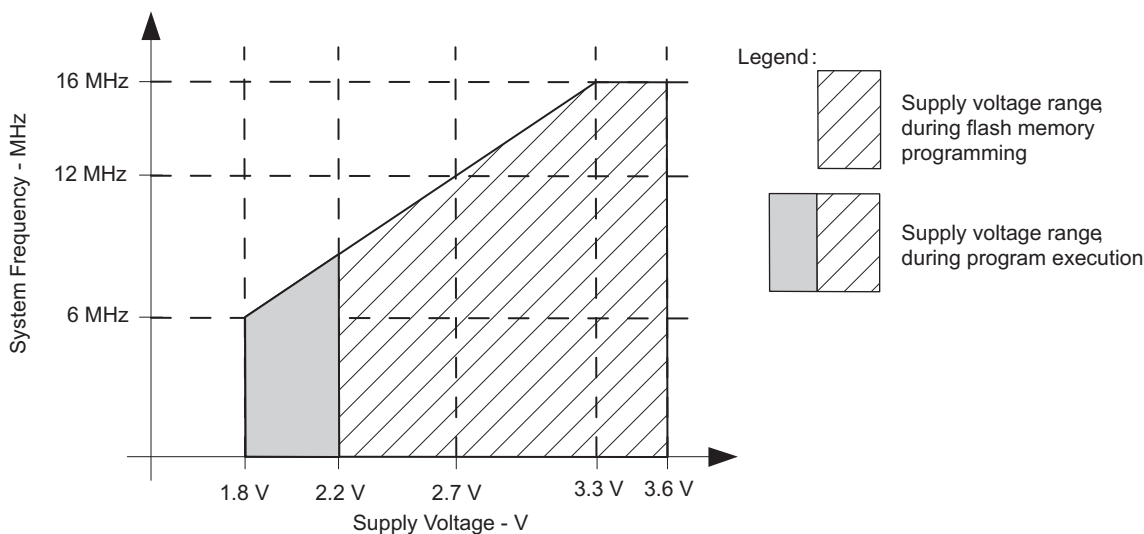
5.5 MSP430 CORE

5.5.1 MSP430 Electrical Characteristics

5.5.1.1 MSP430 Recommended Operating Conditions

		MIN	NOM	MAX	UNIT	
V _{CC}	Supply voltage	During program execution		1.8	3.6	V
		During flash programming/erase		2.2	3.6	
V _{SS}	Supply voltage	0			V	
f _{SYSTEM}	Processor frequency (maximum MCLK frequency using the USART module) ⁽¹⁾⁽²⁾	V _{CC} = 1.8 V, Duty cycle = 50% ± 10%		dc	6	MHz
		V _{CC} = 2.7 V, Duty cycle = 50% ± 10%		dc	12	
		V _{CC} = 3.3 V, Duty cycle = 50% ± 10%		dc	16	

- (1) The MSP430 CPU is clocked directly with MCLK. Both the high and low phase of MCLK must not exceed the pulse width of the specified maximum frequency.
 (2) Modules might have a different maximum input clock specification. See the specification of the respective module in this data sheet.



Note: Minimum processor frequency is defined by system clock. Flash program or erase operations require a minimum V_{CC} of 2.2 V.

Figure 5-19. Safe Operating Area

5.5.1.2 Active Mode Supply Current Into V_{CC} Excluding External Current

over recommended ranges of supply voltage and operating free-air temperature (unless otherwise noted)⁽¹⁾⁽²⁾

PARAMETER	TEST CONDITIONS	T _A	V _{CC}	MIN	TYP	MAX	UNIT
I _{AM,1MHz}	Active mode (AM) current at 1 MHz		2.2 V	230		420	μA
			3 V	330			

- (1) All inputs are tied to 0 V or to V_{CC}. Outputs do not source or sink any current.
 (2) The currents are characterized with a Micro Crystal CC4V-T1A SMD crystal with a load capacitance of 9 pF. The internal and external load capacitance is chosen to closely match the required 9 pF.

5.5.1.3 Typical Characteristics, Active Mode Supply Current (Into V_{CC})

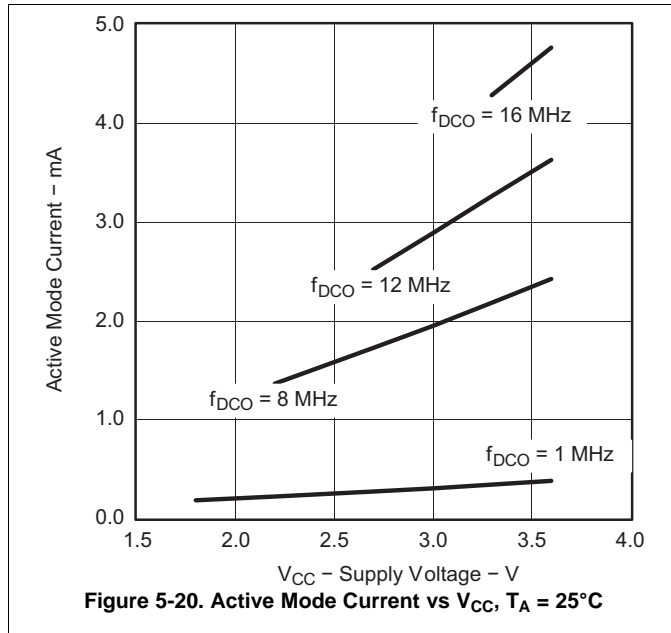


Figure 5-20. Active Mode Current vs V_{CC}, T_A = 25°C

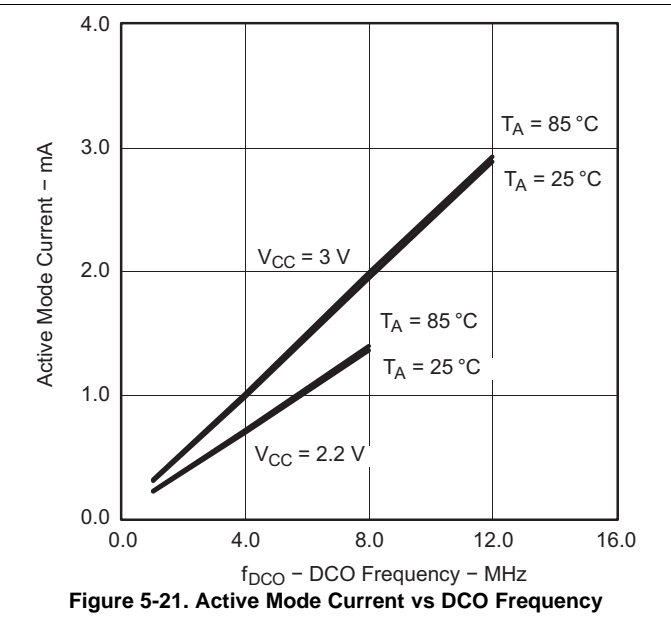


Figure 5-21. Active Mode Current vs DCO Frequency

5.5.1.4 Low-Power Mode Supply Currents (Into V_{CC}) Excluding External Current

over recommended ranges of supply voltage and operating free-air temperature (unless otherwise noted)^{(1) (2)}

PARAMETER	TEST CONDITIONS	T _A	V _{CC}	MIN	TYP	MAX	UNIT
I _{LPM0,1MHz} Low-power mode 0 (LPM0) current ⁽³⁾	f _{MCLK} = 0 MHz, f _{SMCLK} = f _{DCO} = 1 MHz, f _{ACLK} = 32768 Hz, BCSCTL1 = CALBC1_1MHZ, DCOCTL = CALDCO_1MHZ, CPUOFF = 1, SCG0 = 0, SCG1 = 0, OSCOFF = 0	25°C	2.2 V		56		μA
I _{LPM2} Low-power mode 2 (LPM2) current ⁽⁴⁾	f _{MCLK} = f _{SMCLK} = 0 MHz, f _{DCO} = 1 MHz, f _{ACLK} = 32768 Hz, BCSCTL1 = CALBC1_1MHZ, DCOCTL = CALDCO_1MHZ, CPUOFF = 1, SCG0 = 0, SCG1 = 1, OSCOFF = 0	25°C	2.2 V		22		μA
I _{LPM3,LFXT1} Low-power mode 3 (LPM3) current ⁽⁴⁾	f _{DCO} = f _{MCLK} = f _{SMCLK} = 0 MHz, f _{ACLK} = 32768 Hz, CPUOFF = 1, SCG0 = 1, SCG1 = 1, OSCOFF = 0	25°C	2.2 V		0.7	1.5	μA
I _{LPM3,VLO} Low-power mode 3 current, (LPM3) ⁽⁴⁾	f _{DCO} = f _{MCLK} = f _{SMCLK} = 0 MHz, f _{ACLK} from internal LF oscillator (VLO), CPUOFF = 1, SCG0 = 1, SCG1 = 1, OSCOFF = 0	25°C	2.2 V		0.5	0.7	μA
I _{LPM4} Low-power mode 4 (LPM4) current ⁽⁵⁾	f _{DCO} = f _{MCLK} = f _{SMCLK} = 0 MHz, f _{ACLK} = 0 Hz, CPUOFF = 1, SCG0 = 1, SCG1 = 1, OSCOFF = 1	25°C	2.2 V		0.1	0.5	μA
		85°C			0.8	1.7	

(1) All inputs are tied to 0 V or to V_{CC}. Outputs do not source or sink any current.

(2) The currents are characterized with a Micro Crystal CC4V-T1A SMD crystal with a load capacitance of 9 pF. The internal and external load capacitance is chosen to closely match the required 9 pF.

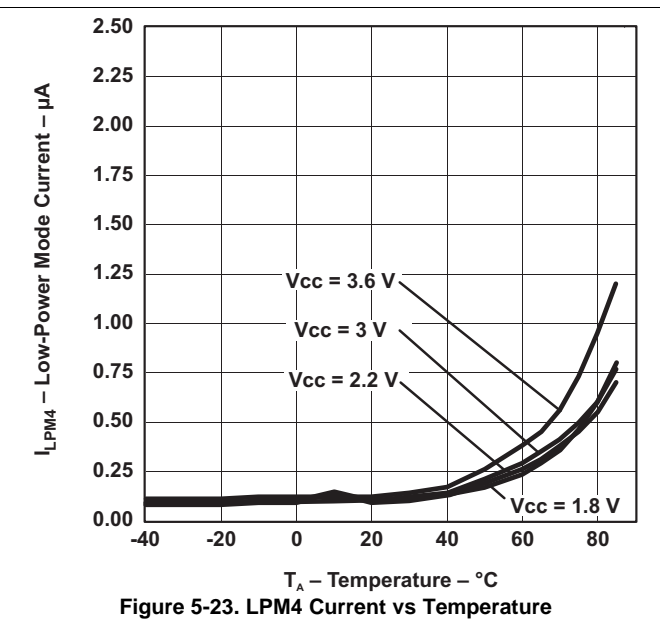
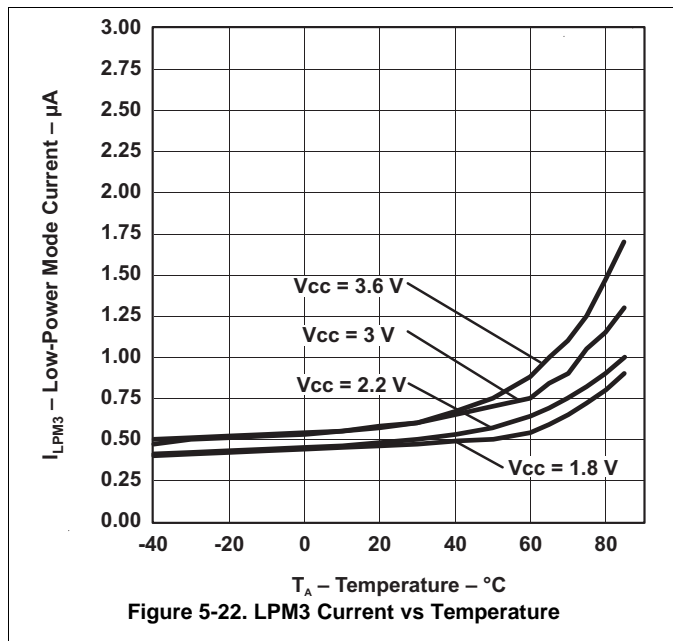
(3) Current for brownout and WDT clocked by SMCLK included.

(4) Current for brownout and WDT clocked by ACLK included.

(5) Current for brownout included.

5.5.1.5 Typical Characteristics, Low-Power Mode Supply Currents

over recommended ranges of supply voltage and operating free-air temperature (unless otherwise noted)



5.5.1.6 Schmitt-Trigger Inputs, Ports Px

over recommended ranges of supply voltage and operating free-air temperature (unless otherwise noted)

PARAMETER	TEST CONDITIONS	V _{CC}	MIN	TYP	MAX	UNIT
V _{IT+}	Positive-going input threshold voltage	3 V	0.45 V _{CC}	0.75 V _{CC}	0.75 V _{CC}	V
			1.35	2.25		
V _{IT-}	Negative-going input threshold voltage	3 V	0.25 V _{CC}	0.55 V _{CC}	0.55 V _{CC}	V
			0.75	1.65		
V _{hys}	Input voltage hysteresis (V _{IT+} – V _{IT-})	3 V	0.3		1	V
R _{Pull}	Pull-up/pull-down resistor	3 V	20	35	50	kΩ
C _I	Input capacitance	V _{IN} = V _{SS} or V _{CC}		5		pF

5.5.1.7 Leakage Current, Ports Px

over recommended ranges of supply voltage and operating free-air temperature (unless otherwise noted)

PARAMETER	TEST CONDITIONS	V _{CC}	MIN	MAX	UNIT
I _{lkg(Px.y)}	High-impedance leakage current	3 V		±50	nA

(1) The leakage current is measured with V_{SS} or V_{CC} applied to the corresponding pin(s), unless otherwise noted.

(2) The leakage of the digital port pins is measured individually. The port pin is selected for input and the pull-up/pull-down resistor is disabled.

5.5.1.8 Outputs, Ports Px

over recommended ranges of supply voltage and operating free-air temperature (unless otherwise noted)

PARAMETER	TEST CONDITIONS	V _{CC}	MIN	TYP	MAX	UNIT
V _{OH}	High-level output voltage	3 V		V _{CC} – 0.3		V
V _{OL}	Low-level output voltage	3 V		V _{SS} + 0.3		V

(1) The maximum total current, I_(OHmax) and I_(OLmax), for all outputs combined should not exceed ±48 mA to hold the maximum voltage drop specified.

5.5.1.9 Output Frequency, Ports Px

over recommended ranges of supply voltage and operating free-air temperature (unless otherwise noted)

PARAMETER	TEST CONDITIONS	V _{CC}	MIN	TYP	MAX	UNIT
f _{Px,y}	Port output frequency (with load) Px,y, C _L = 20 pF, R _L = 1 kΩ ⁽¹⁾ (2)	3 V		12		MHz
f _{Port_CLK}	Clock output frequency Px,y, C _L = 20 pF ⁽²⁾	3 V		16		MHz

- (1) A resistive divider with two 0.5-kΩ resistors between V_{CC} and V_{SS} is used as load. The output is connected to the center tap of the divider.
- (2) The output voltage reaches at least 10% and 90% V_{CC} at the specified toggle frequency.

5.5.1.10 Typical Characteristics, Outputs

over recommended ranges of supply voltage and operating free-air temperature (unless otherwise noted)

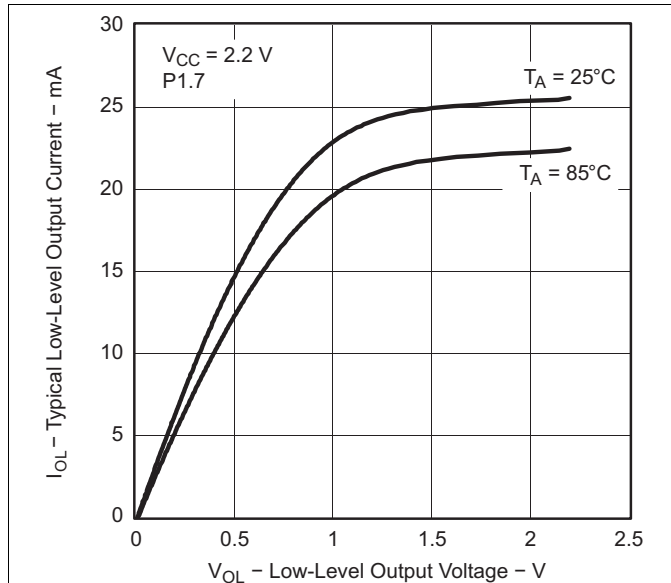


Figure 5-24. Typical Low-Level Output Current vs Low-Level Output Voltage

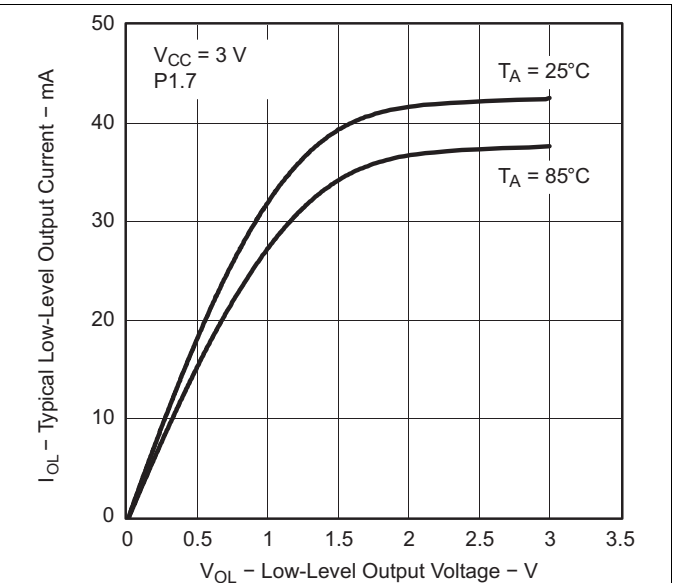


Figure 5-25. Typical Low-Level Output Current vs Low-Level Output Voltage

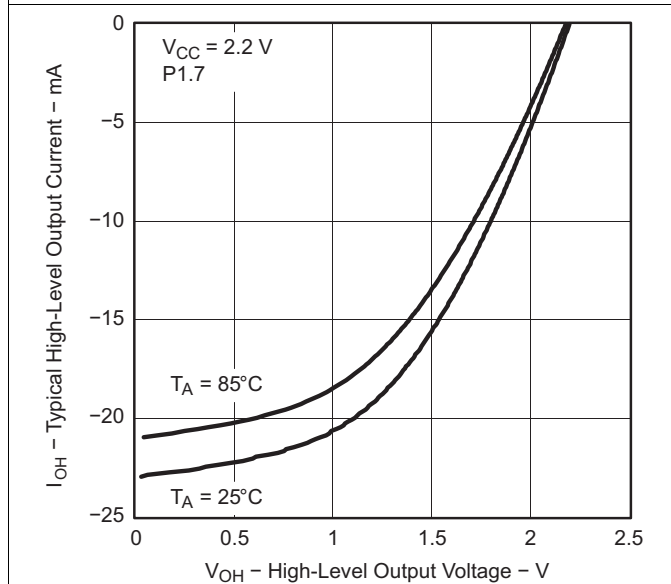


Figure 5-26. Typical High-Level Output Current vs High-Level Output Voltage

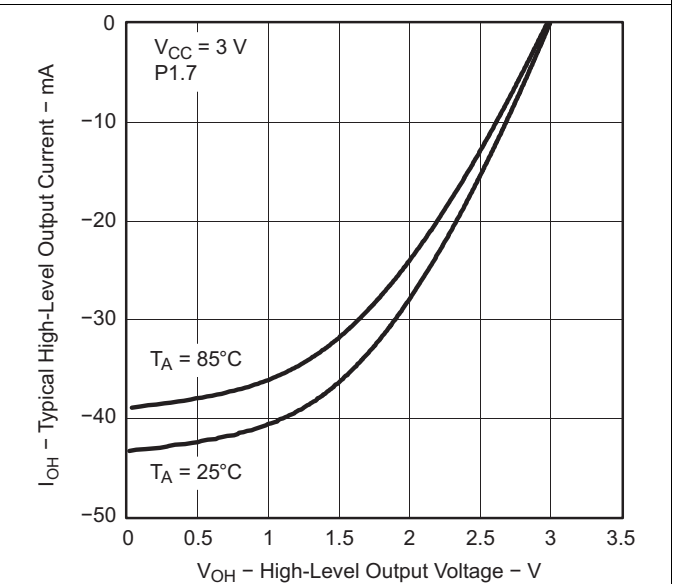


Figure 5-27. Typical High-Level Output Current vs High-Level Output Voltage

over recommended ranges of supply voltage and operating free-air temperature (unless otherwise noted)

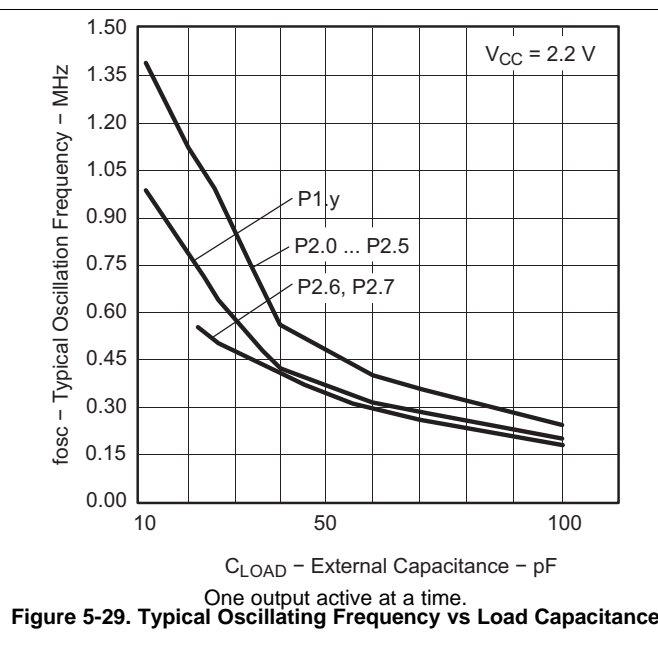
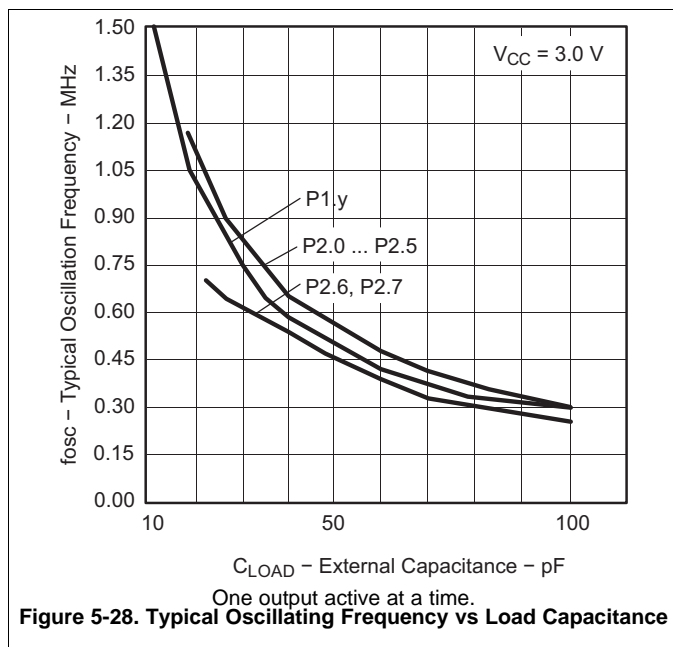
5.5.1.11 Pin-Oscillator Frequency – Ports Px

over recommended ranges of supply voltage and operating free-air temperature (unless otherwise noted)

PARAMETER		TEST CONDITIONS	V _{CC}	MIN	TYP	MAX	UNIT
f _{oP1,x}	Port output oscillation frequency	P1.y, C _L = 10 pF, R _L = 100 kΩ ⁽¹⁾⁽²⁾	3 V	1400			kHz
		P1.y, C _L = 20 pF, R _L = 100 kΩ ⁽¹⁾⁽²⁾		900			
f _{oP2,x}	Port output oscillation frequency	P2.0 to P2.5, C _L = 10 pF, R _L = 100 kΩ ⁽¹⁾⁽²⁾	3 V	1800			kHz
		P2.0 to P2.5, C _L = 20 pF, R _L = 100 kΩ ⁽¹⁾⁽²⁾		1000			
f _{oP2,6/7}	Port output oscillation frequency	P2.6 and P2.7, C _L = 20 pF, R _L = 100 kΩ ⁽¹⁾⁽²⁾	3 V	700			kHz
f _{oP3,x}	Port output oscillation frequency	P3.y, C _L = 10 pF, R _L = 100 kΩ ⁽¹⁾⁽²⁾		1800			kHz
		P3.y, C _L = 20 pF, R _L = 100 kΩ ⁽¹⁾⁽²⁾		1000			

- (1) A resistive divider with two 0.5-kΩ resistors between V_{CC} and V_{SS} is used as load. The output is connected to the center tap of the divider.
- (2) The output voltage reaches at least 10% and 90% V_{CC} at the specified toggle frequency.

5.5.1.12 Typical Characteristics, Pin-Oscillator Frequency



5.5.1.13 POR/Brownout Reset (BOR)⁽¹⁾

over recommended ranges of supply voltage and operating free-air temperature (unless otherwise noted)

PARAMETER		TEST CONDITIONS	V _{CC}	MIN	TYP	MAX	UNIT
V _{CC(start)}	See Figure 5-30	dV _{CC} /dt ≤ 3 V/s		0.7 × V _(B_IT-)			V
V _(B_IT-)	See Figure 5-30 through Figure 5-32	dV _{CC} /dt ≤ 3 V/s		1.35			V
V _{hys(B_IT-)}	See Figure 5-30	dV _{CC} /dt ≤ 3 V/s		140			mV
t _{d(BOR)}	See Figure 5-30			2000			μs
t _(reset)	Pulse length needed at $\overline{\text{RST}}$ /NMI pin to accepted reset internally		2.2 V	2			μs

- (1) The current consumption of the brownout module is already included in the I_{CC} current consumption data. The voltage level V_(B_IT-) + V_{hys(B_IT-)} is ≤ 1.8 V.

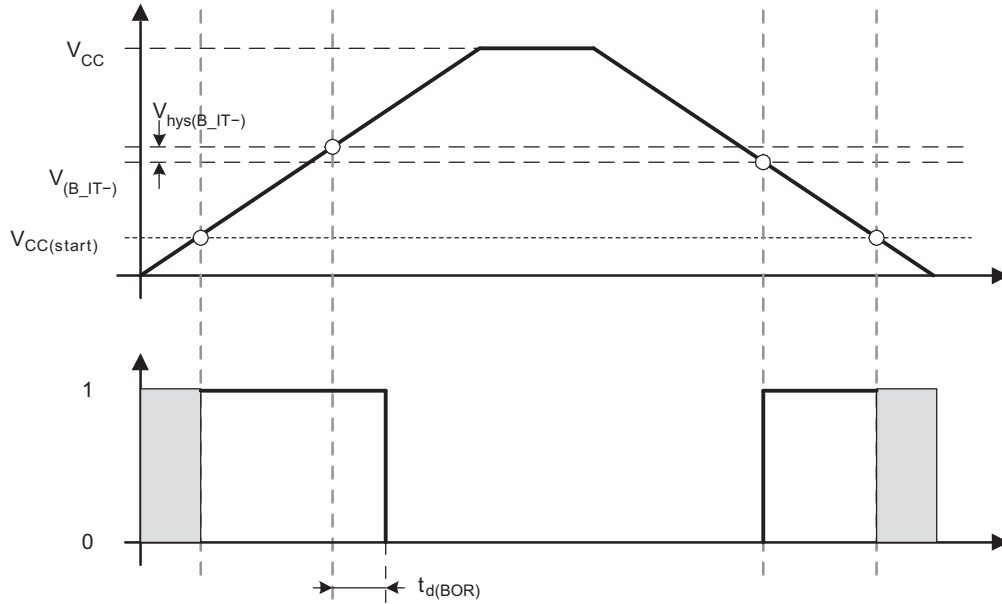


Figure 5-30. POR/Brownout Reset (BOR) vs Supply Voltage

5.5.1.14 Typical Characteristics, POR/Brownout Reset (BOR)

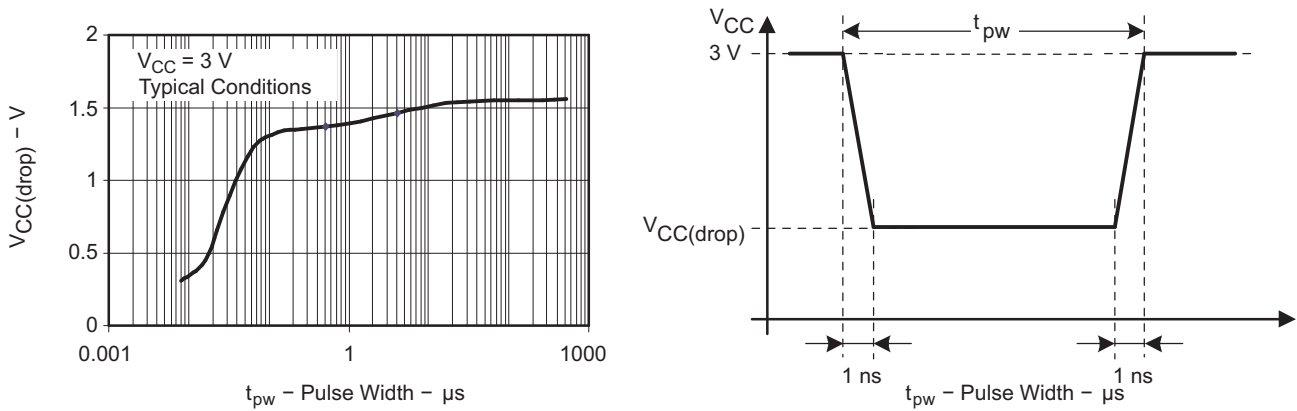


Figure 5-31. $V_{CC(drop)}$ Level With a Square Voltage Drop to Generate a POR/Brownout Signal

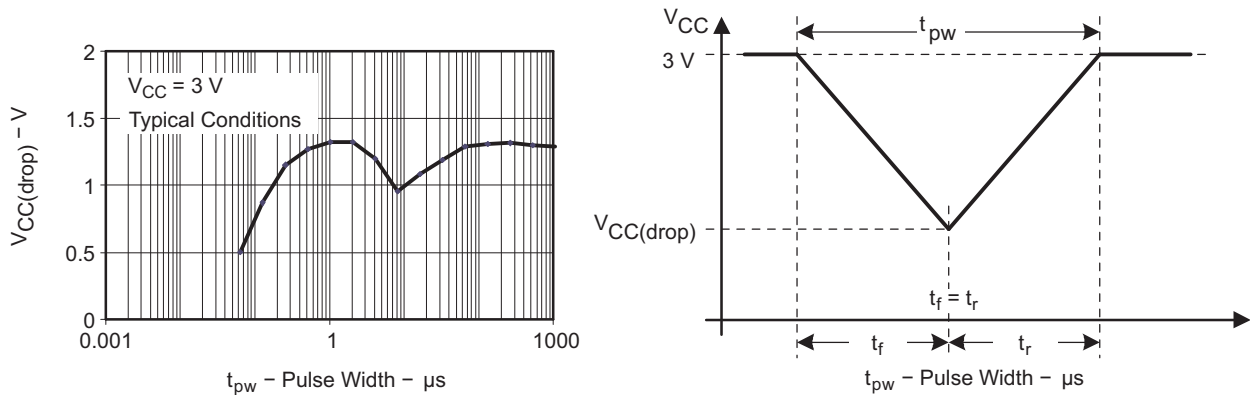


Figure 5-32. $V_{CC(drop)}$ Level With a Triangle Voltage Drop to Generate a POR/Brownout Signal

5.5.1.15 DCO Frequency

over recommended ranges of supply voltage and operating free-air temperature (unless otherwise noted)

PARAMETER		TEST CONDITIONS	V _{CC}	MIN	TYP	MAX	UNIT
V _{CC}	Supply voltage	RSELx < 14		1.8		3.6	V
		RSELx = 14		2.2		3.6	
		RSELx = 15		3		3.6	
f _{DCO(0,0)}	DCO frequency (0, 0)	RSELx = 0, DCOx = 0, MODx = 0	3 V	0.06		0.14	MHz
f _{DCO(0,3)}	DCO frequency (0, 3)	RSELx = 0, DCOx = 3, MODx = 0	3 V	0.07		0.17	MHz
f _{DCO(1,3)}	DCO frequency (1, 3)	RSELx = 1, DCOx = 3, MODx = 0	3 V		0.15		MHz
f _{DCO(2,3)}	DCO frequency (2, 3)	RSELx = 2, DCOx = 3, MODx = 0	3 V		0.21		MHz
f _{DCO(3,3)}	DCO frequency (3, 3)	RSELx = 3, DCOx = 3, MODx = 0	3 V		0.30		MHz
f _{DCO(4,3)}	DCO frequency (4, 3)	RSELx = 4, DCOx = 3, MODx = 0	3 V		0.41		MHz
f _{DCO(5,3)}	DCO frequency (5, 3)	RSELx = 5, DCOx = 3, MODx = 0	3 V		0.58		MHz
f _{DCO(6,3)}	DCO frequency (6, 3)	RSELx = 6, DCOx = 3, MODx = 0	3 V	0.54		1.06	MHz
f _{DCO(7,3)}	DCO frequency (7, 3)	RSELx = 7, DCOx = 3, MODx = 0	3 V	0.80		1.50	MHz
f _{DCO(8,3)}	DCO frequency (8, 3)	RSELx = 8, DCOx = 3, MODx = 0	3 V		1.6		MHz
f _{DCO(9,3)}	DCO frequency (9, 3)	RSELx = 9, DCOx = 3, MODx = 0	3 V		2.3		MHz
f _{DCO(10,3)}	DCO frequency (10, 3)	RSELx = 10, DCOx = 3, MODx = 0	3 V		3.4		MHz
f _{DCO(11,3)}	DCO frequency (11, 3)	RSELx = 11, DCOx = 3, MODx = 0	3 V		4.25		MHz
f _{DCO(12,3)}	DCO frequency (12, 3)	RSELx = 12, DCOx = 3, MODx = 0	3 V	4.30		7.30	MHz
f _{DCO(13,3)}	DCO frequency (13, 3)	RSELx = 13, DCOx = 3, MODx = 0	3 V	6.00	7.8	9.60	MHz
f _{DCO(14,3)}	DCO frequency (14, 3)	RSELx = 14, DCOx = 3, MODx = 0	3 V	8.60		13.9	MHz
f _{DCO(15,3)}	DCO frequency (15, 3)	RSELx = 15, DCOx = 3, MODx = 0	3 V	12.0		18.5	MHz
f _{DCO(15,7)}	DCO frequency (15, 7)	RSELx = 15, DCOx = 7, MODx = 0	3 V	16.0		26.0	MHz
S _{RSEL}	Frequency step between range RSEL and RSEL+1	$S_{RSEL} = f_{DCO(RSEL+1,DCO)} / f_{DCO(RSEL,DCO)}$	3 V		1.35		ratio
S _{DCO}	Frequency step between tap DCO and DCO+1	$S_{DCO} = f_{DCO(RSEL,DCO+1)} / f_{DCO(RSEL,DCO)}$	3 V		1.08		ratio
Duty cycle		Measured at SMCLK output	3 V		50%		

5.5.1.16 Calibrated DCO Frequencies, Tolerance

over recommended ranges of supply voltage and operating free-air temperature (unless otherwise noted)

PARAMETER	TEST CONDITIONS	T _A	V _{CC}	MIN	TYP	MAX	UNIT
1-MHz tolerance over temperature ⁽¹⁾	BCSCTL1 = CALBC1_1MHZ, DCOCTL = CALDCO_1MHZ, calibrated at 30°C and 3 V	0°C to 85°C	3 V	-3%	±0.5%	3%	
1-MHz tolerance over V _{CC}	BCSCTL1 = CALBC1_1MHZ, DCOCTL = CALDCO_1MHZ, calibrated at 30°C and 3 V	30°C	1.8 V to 3.6 V	-3%	±2%	3%	
1-MHz tolerance overall	BCSCTL1 = CALBC1_1MHZ, DCOCTL = CALDCO_1MHZ, calibrated at 30°C and 3 V	-40°C to 85°C	1.8 V to 3.6 V	-6%	±3%	6%	
8-MHz tolerance over temperature ⁽¹⁾	BCSCTL1 = CALBC1_8MHZ, DCOCTL = CALDCO_8MHZ, calibrated at 30°C and 3 V	0°C to 85°C	3 V	-3%	±0.5%	3%	
8-MHz tolerance over V _{CC}	BCSCTL1 = CALBC1_8MHZ, DCOCTL = CALDCO_8MHZ, calibrated at 30°C and 3 V	30°C	2.2 V to 3.6 V	-3%	±2%	3%	
8-MHz tolerance overall	BCSCTL1 = CALBC1_8MHZ, DCOCTL = CALDCO_8MHZ, calibrated at 30°C and 3 V	-40°C to 85°C	2.2 V to 3.6 V	-6%	±3%	6%	
12-MHz tolerance over temperature ⁽¹⁾	BCSCTL1 = CALBC1_12MHZ, DCOCTL = CALDCO_12MHZ, calibrated at 30°C and 3 V	0°C to 85°C	3 V	-3%	±0.5%	3%	
12-MHz tolerance over V _{CC}	BCSCTL1 = CALBC1_12MHZ, DCOCTL = CALDCO_12MHZ, calibrated at 30°C and 3 V	30°C	2.7 V to 3.6 V	-3%	±2%	3%	
12-MHz tolerance overall	BCSCTL1 = CALBC1_12MHZ, DCOCTL = CALDCO_12MHZ, calibrated at 30°C and 3 V	-40°C to 85°C	2.7 V to 3.6 V	-6%	±3%	6%	
16-MHz tolerance over temperature ⁽¹⁾	BCSCTL1 = CALBC1_16MHZ, DCOCTL = CALDCO_16MHZ, calibrated at 30°C and 3 V	0°C to 85°C	3 V	-3%	±0.5%	3%	
16-MHz tolerance over V _{CC}	BCSCTL1 = CALBC1_16MHZ, DCOCTL = CALDCO_16MHZ, calibrated at 30°C and 3 V	30°C	3.3 V to 3.6 V	-3%	±2%	3%	
16-MHz tolerance overall	BCSCTL1 = CALBC1_16MHZ, DCOCTL = CALDCO_16MHZ, calibrated at 30°C and 3 V	-40°C to 85°C	3.3 V to 3.6 V	-6%	±3%	6%	

(1) This is the frequency change from the measured frequency at 30°C over temperature.

5.5.1.17 Wake-Up From Lower-Power Modes (LPM3/4)

over recommended ranges of supply voltage and operating free-air temperature (unless otherwise noted)

PARAMETER	TEST CONDITIONS	V _{CC}	MIN	TYP	MAX	UNIT
t _{DCO,LPM3/4}	DCO clock wake-up time from LPM3/4 ⁽¹⁾	BCSCTL1 = CALBC1_1MHz, DCOCTL = CALDCO_1MHz	3 V	1.5		μs
t _{CPU,LPM3/4}	CPU wake-up time from LPM3/4 ⁽²⁾			1/f _{MCLK} + t _{Clock,LPM3/4}		

- (1) The DCO clock wake-up time is measured from the edge of an external wake-up signal (e.g., port interrupt) to the first clock edge observable externally on a clock pin (MCLK or SMCLK).
- (2) Parameter applicable only if DCOCLK is used for MCLK.

5.5.1.18 Typical Characteristics, DCO Clock Wake-Up Time From LPM3/4

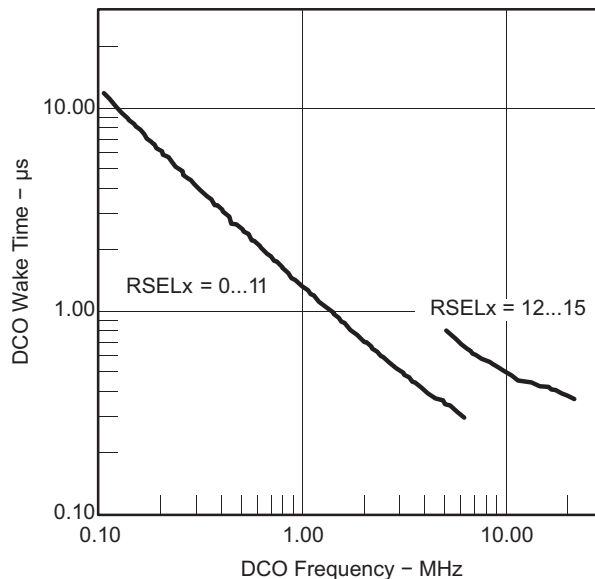


Figure 5-33. DCO Wake-Up Time From LPM3 vs DCO Frequency

5.5.1.19 Crystal Oscillator, XT1, Low-Frequency Mode

over recommended ranges of supply voltage and operating free-air temperature (unless otherwise noted)

PARAMETER ⁽¹⁾		TEST CONDITIONS	V _{CC}	MIN	TYP	MAX	UNIT
f _{LFXT1,LF}	LFXT1 oscillator crystal frequency, LF mode 0, 1	XTS = 0, LFXT1Sx = 0 or 1	1.8 V to 3.6 V		32768		Hz
f _{LFXT1,LF,logic}	LFXT1 oscillator logic level square wave input frequency, LF mode	XTS = 0, XCAPx = 0, LFXT1Sx = 3	1.8 V to 3.6 V	10000	32768	50000	Hz
O _{ALF}	Oscillation allowance for LF crystals	XTS = 0, LFXT1Sx = 0, f _{LFXT1,LF} = 32768 Hz, C _{L,eff} = 6 pF			500		kΩ
		XTS = 0, LFXT1Sx = 0, f _{LFXT1,LF} = 32768 Hz, C _{L,eff} = 12 pF			200		
C _{L,eff}	Integrated effective load capacitance, LF mode ⁽²⁾	XTS = 0, XCAPx = 0			1		pF
		XTS = 0, XCAPx = 1			5.5		
		XTS = 0, XCAPx = 2			8.5		
		XTS = 0, XCAPx = 3			11		
Duty cycle	LF mode	XTS = 0, Measured at P2.0/ACLK, f _{LFXT1,LF} = 32768 Hz	2.2 V	30%	50%	70%	
f _{Fault,LF}	Oscillator fault frequency, LF mode ⁽³⁾	XTS = 0, XCAPx = 0, LFXT1Sx = 3 ⁽⁴⁾	2.2 V	10		10000	Hz

- (1) To improve EMI on the XT1 oscillator, the following guidelines should be observed.
 - Keep the trace between the device and the crystal as short as possible.
 - Design a good ground plane around the oscillator pins.
 - Prevent crosstalk from other clock or data lines into oscillator pins XIN and XOUT.
 - Avoid running PCB traces underneath or adjacent to the XIN and XOUT pins.
 - Use assembly materials and praxis to avoid any parasitic load on the oscillator XIN and XOUT pins.
 - If conformal coating is used, ensure that it does not induce capacitive/resistive leakage between the oscillator pins.
 - Do not route the XOUT line to the JTAG header to support the serial programming adapter as shown in other documentation. This signal is no longer required for the serial programming adapter.
- (2) Includes parasitic bond and package capacitance (approximately 2 pF per pin). Since the PCB adds additional capacitance, it is recommended to verify the correct load by measuring the ACLK frequency. For a correct setup, the effective load capacitance should always match the specification of the used crystal.
- (3) Frequencies below the MIN specification set the fault flag. Frequencies above the MAX specification do not set the fault flag. Frequencies in between might set the flag.
- (4) Measured with logic-level input frequency but also applies to operation with crystals.

5.5.1.20 Internal Very-Low-Power Low-Frequency Oscillator (VLO)

over recommended ranges of supply voltage and operating free-air temperature (unless otherwise noted)

PARAMETER		T _A	V _{CC}	MIN	TYP	MAX	UNIT
f _{VLO}	VLO frequency	–40°C to 85°C	3 V	4	12	20	kHz
df _{VLO} /dT	VLO frequency temperature drift	–40°C to 85°C	3 V		0.5		%/°C
df _{VLO} /dV _{CC}	VLO frequency supply voltage drift	25°C	1.8 V to 3.6 V		4		%/V

5.5.1.21 Timer_A

over recommended ranges of supply voltage and operating free-air temperature (unless otherwise noted)

PARAMETER		TEST CONDITIONS	V _{CC}	MIN	TYP	MAX	UNIT
f _{TA}	Timer_A input clock frequency	SMCLK, duty cycle = 50% ± 10%			f _{SYSTEM}		MHz
t _{TA,cap}	Timer_A capture timing	TA0, TA1	3 V	20			ns

5.5.1.22 USCI (UART Mode)

over recommended ranges of supply voltage and operating free-air temperature (unless otherwise noted)

PARAMETER		TEST CONDITIONS	V _{CC}	MIN	TYP	MAX	UNIT
f _{USCI}	USCI input clock frequency	SMCLK, duty cycle = 50% ± 10%			f _{SYSTEM}		MHz
f _{max,BITCLK}	Maximum BITCLK clock frequency (equals baudrate in MBaud) ⁽¹⁾		3 V	2			MHz
t _r	UART receive deglitch time ⁽²⁾		3 V	50	100	600	ns

(1) The DCO wake-up time must be considered in LPM3/4 for baud rates above 1 MHz.

(2) Pulses on the UART receive input (UCxRX) shorter than the UART receive deglitch time are suppressed. To ensure that pulses are correctly recognized, their width should exceed the maximum specification of the deglitch time.

5.5.1.23 USCI (SPI Master Mode)

over recommended ranges of supply voltage and operating free-air temperature (unless otherwise noted) (see [Figure 5-34](#) and [Figure 5-35](#))

PARAMETER		TEST CONDITIONS	V _{CC}	MIN	TYP	MAX	UNIT
f _{USCI}	USCI input clock frequency	SMCLK, duty cycle = 50% ± 10%			f _{SYSTEM}		MHz
t _{SU,MI}	SOMI input data setup time		3 V	75			ns
t _{HD,MI}	SOMI input data hold time		3 V	0			ns
t _{VALID,MO}	SIMO output data valid time	UCLK edge to SIMO valid, C _L = 20 pF	3 V			20	ns

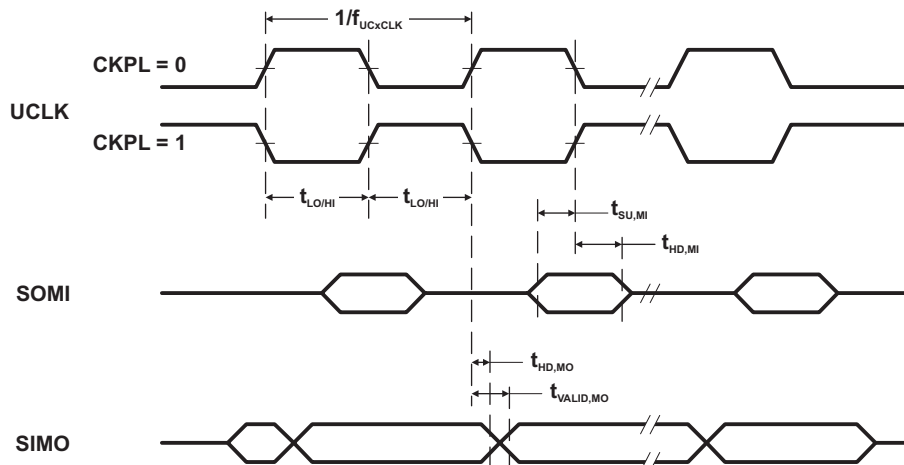


Figure 5-34. SPI Master Mode, CKPH = 0

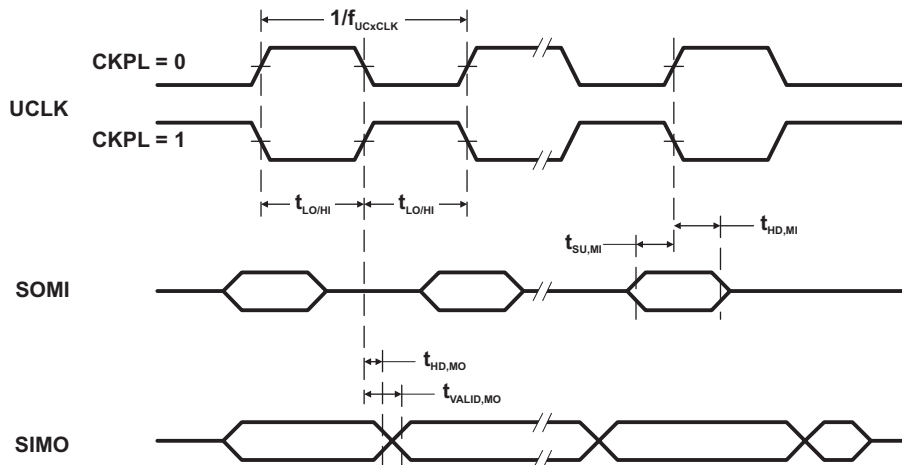


Figure 5-35. SPI Master Mode, CKPH = 1

5.5.1.24 USCI (SPI Slave Mode)

over recommended ranges of supply voltage and operating free-air temperature (unless otherwise noted) (see Figure 5-36 and Figure 5-37)

PARAMETER	TEST CONDITIONS	V _{CC}	MIN	TYP	MAX	UNIT
t _{STE,LEAD}	STE lead time, STE low to clock	3 V		50		ns
t _{STE,LAG}	STE lag time, Last clock to STE high	3 V	10			ns
t _{STE,ACC}	STE access time, STE low to SOMI data out	3 V		50		ns
t _{STE,DIS}	STE disable time, STE high to SOMI high impedance	3 V		50		ns
t _{SU,SI}	SIMO input data setup time	3 V	15			ns
t _{HD,SI}	SIMO input data hold time	3 V	10			ns
t _{VALID,SO}	SOMI output data valid time	UCLK edge to SOMI valid, C _L = 20 pF		50	75	ns

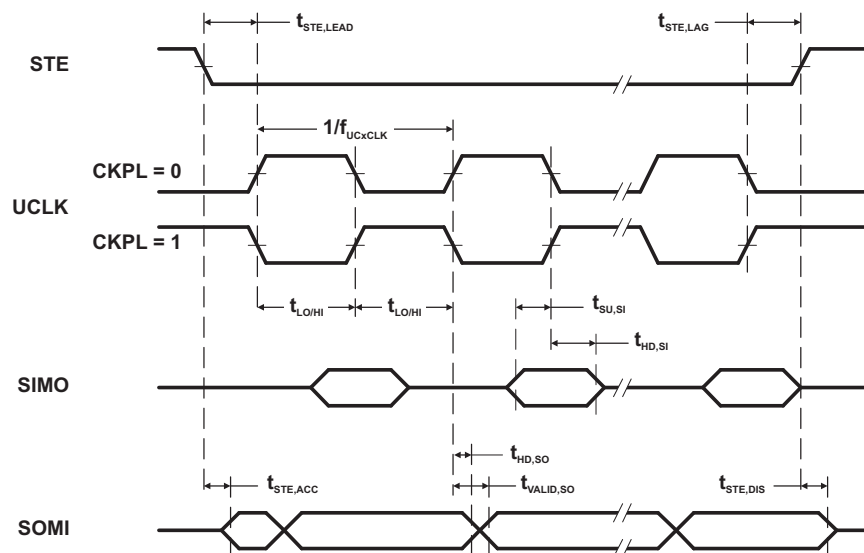


Figure 5-36. SPI Slave Mode, CKPH = 0

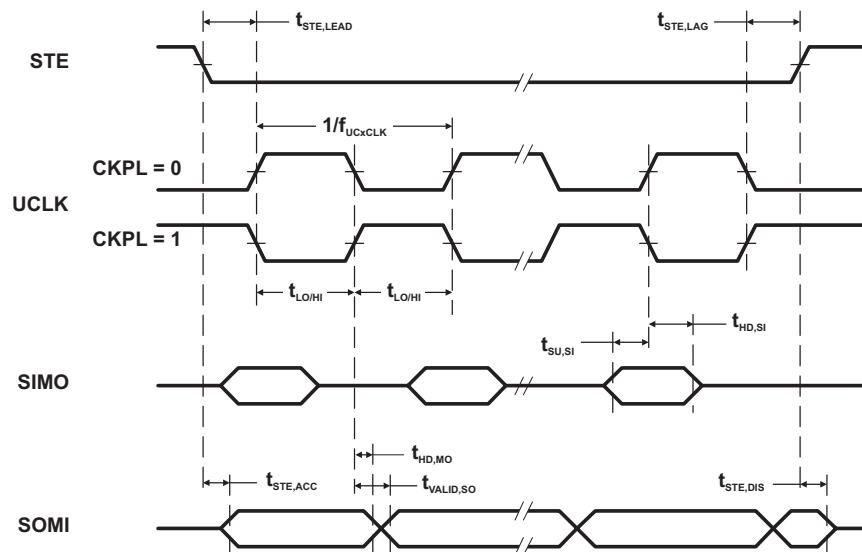


Figure 5-37. SPI Slave Mode, CKPH = 1

5.5.1.25 USCI (I²C Mode)

over recommended ranges of supply voltage and operating free-air temperature (unless otherwise noted) (see Figure 5-38)

PARAMETER	TEST CONDITIONS	V _{CC}	MIN	TYP	MAX	UNIT
f _{USCI}	USCI input clock frequency				f _{SYSTEM}	MHz
f _{SCL}	SCL clock frequency	3 V	0		400	kHz
t _{HD,STA}	Hold time (repeated) START	3 V	4.0			μs
	f _{SCL} ≤ 100 kHz					
	f _{SCL} > 100 kHz		0.6			
t _{SU,STA}	Setup time for a repeated START	3 V	4.7			μs
	f _{SCL} ≤ 100 kHz					
	f _{SCL} > 100 kHz		0.6			
t _{HD,DAT}	Data hold time	3 V	0			ns
t _{SU,DAT}	Data setup time	3 V	250			ns
t _{SU,STO}	Setup time for STOP	3 V	4.0			μs
t _{SP}	Pulse width of spikes suppressed by input filter	3 V	50	100	600	ns

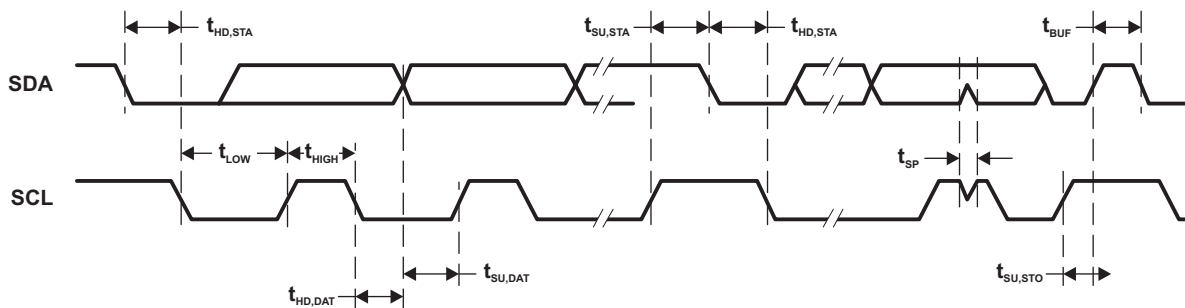


Figure 5-38. I²C Mode Timing

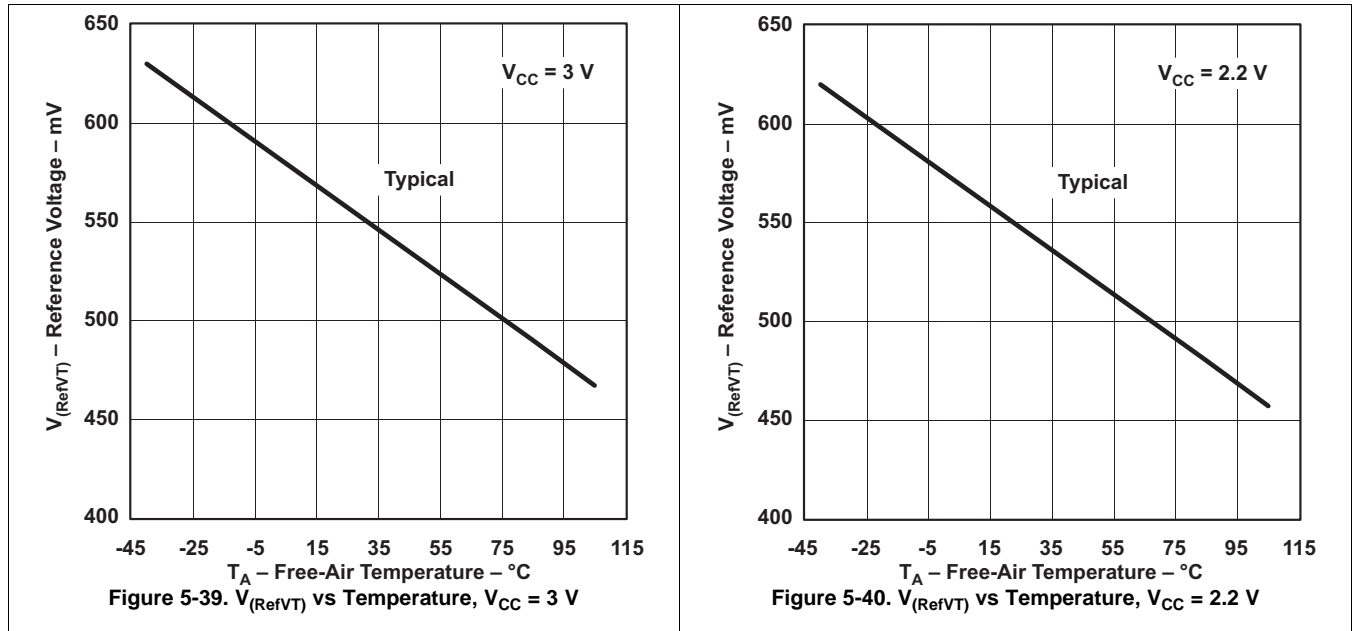
5.5.1.26 Comparator_A+

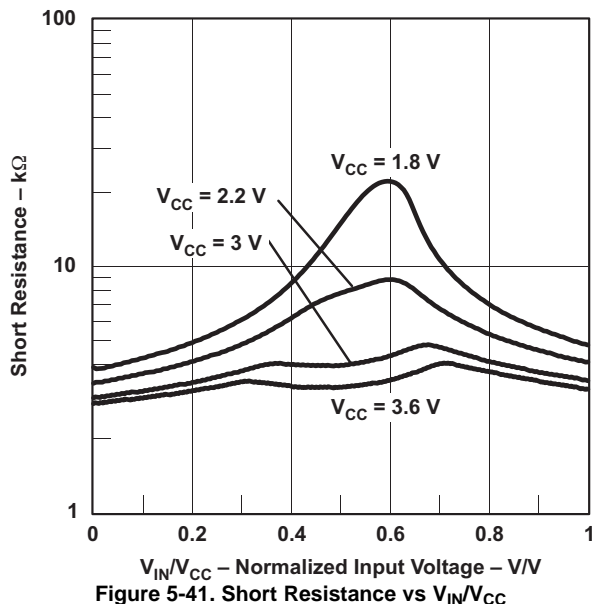
over recommended ranges of supply voltage and operating free-air temperature (unless otherwise noted)

PARAMETER	TEST CONDITIONS	V _{CC}	MIN	TYP	MAX	UNIT
I _(DD) ⁽¹⁾	CAON = 1, CARSEL = 0, CAREF = 0	3 V		45		μA
I _(Refladder/ RefDiode)	CAON = 1, CARSEL = 0, CAREF = 1/2/3, No load at CA0 and CA1	3 V		45		μA
V _(IC)	Common-mode input voltage	3 V	0		V _{CC} -1	V
V _(Ref025)	(Voltage at 0.25 V _{CC} node) / V _{CC}	3 V		0.24		
V _(Ref050)	(Voltage at 0.5 V _{CC} node) / V _{CC}	3 V		0.48		
V _(RefVT)	See Figure 5-39 and Figure 5-40	3 V		490		mV
V _(offset)	Offset voltage ⁽²⁾	3 V		±10		mV
V _{hys}	Input hysteresis	3 V		0.7		mV
t _(response)	Response time (low-high and high-low)	3 V	T _A = 25°C, Overdrive 10 mV, Without filter: CAF = 0		120	ns
			T _A = 25°C, Overdrive 10 mV, With filter: CAF = 1		1.5	μs

- (1) The leakage current for the Comparator_A+ terminals is identical to I_{kg(Px,y)} specification.
- (2) The input offset voltage can be cancelled by using the CAEX bit to invert the Comparator_A+ inputs on successive measurements. The two successive measurements are then summed together.

5.5.1.27 Typical Characteristics – Comparator_A+





5.5.1.28 10-Bit ADC, Power Supply and Input Range Conditions

over recommended ranges of supply voltage and operating free-air temperature (unless otherwise noted)⁽¹⁾

PARAMETER	TEST CONDITIONS	T _A	V _{CC}	MIN	TYP	MAX	UNIT
V _{CC}	Analog supply voltage	V _{SS} = 0 V		2.2		3.6	V
V _{Ax}	Analog input voltage ⁽²⁾	All Ax terminals, Analog inputs selected in ADC10AE register	3 V	0		V _{CC}	V
I _{ADC10}	ADC10 supply current ⁽³⁾	f _{ADC10CLK} = 5.0 MHz, ADC10ON = 1, REFON = 0, ADC10SHT0 = 1, ADC10SHT1 = 0, ADC10DIV = 0	25°C	3 V	0.6		mA
I _{REF+}	Reference supply current, reference buffer disabled ⁽⁴⁾	f _{ADC10CLK} = 5.0 MHz, ADC10ON = 0, REF2_5V = 0, REFON = 1, REFOUT = 0	25°C	3 V	0.25		mA
		f _{ADC10CLK} = 5.0 MHz, ADC10ON = 0, REF2_5V = 1, REFON = 1, REFOUT = 0			0.25		
I _{REFB,0}	Reference buffer supply current with ADC10SR = 0 ⁽⁴⁾	f _{ADC10CLK} = 5.0 MHz, ADC10ON = 0, REFON = 1, REF2_5V = 0, REFOUT = 1, ADC10SR = 0	25°C	3 V	1.1		mA
I _{REFB,1}	Reference buffer supply current with ADC10SR = 1 ⁽⁴⁾	f _{ADC10CLK} = 5.0 MHz, ADC10ON = 0, REFON = 1, REF2_5V = 0, REFOUT = 1, ADC10SR = 1	25°C	3 V	0.5		mA
C _I	Input capacitance	Only one terminal Ax can be selected at one time	25°C	3 V		27	pF
R _I	Input MUX ON resistance	0 V ≤ V _{Ax} ≤ V _{CC}	25°C	3 V	1000		Ω

(1) The leakage current is defined in the leakage current table with P_{x.y}/A_x parameter.

(2) The analog input voltage range must be within the selected reference voltage range V_{R+} to V_{R-} for valid conversion results.

(3) The internal reference supply current is not included in current consumption parameter I_{ADC10}.

(4) The internal reference current is supplied via terminal V_{CC}. Consumption is independent of the ADC10ON control bit, unless a conversion is active. The REFON bit enables the built-in reference to settle before starting an A/D conversion.

5.5.1.29 10-Bit ADC, Built-In Voltage Reference

over recommended ranges of supply voltage and operating free-air temperature (unless otherwise noted)

PARAMETER		TEST CONDITIONS	V _{CC}	MIN	TYP	MAX	UNIT	
V _{CC,REF+}	Positive built-in reference analog supply voltage range	I _{VREF+} ≤ 1 mA, REF2_5V = 0		2.2			V	
		I _{VREF+} ≤ 1 mA, REF2_5V = 1		2.9				
V _{REF+}	Positive built-in reference voltage	I _{VREF+} ≤ I _{VREF+} max, REF2_5V = 0	3 V	1.41	1.5	1.59	V	
		I _{VREF+} ≤ I _{VREF+} max, REF2_5V = 1		2.35	2.5	2.65		
I _{LD,VREF+}	Maximum VREF+ load current		3 V			±1	mA	
	VREF+ load regulation	I _{VREF+} = 500 μA ± 100 μA, Analog input voltage V _{Ax} ≠ 0.75 V, REF2_5V = 0	3 V				±2	LSB
		I _{VREF+} = 500 μA ± 100 μA, Analog input voltage V _{Ax} ≠ 1.25 V, REF2_5V = 1					±2	
	V _{REF+} load regulation response time	I _{VREF+} = 100 μA → 900 μA, V _{Ax} ≠ 0.5 × VREF+, Error of conversion result ≤ 1 LSB, ADC10SR = 0	3 V			400	ns	
C _{VREF+}	Maximum capacitance at pin VREF+	I _{VREF+} ≤ ±1 mA, REFON = 1, REFOUT = 1	3 V			100	pF	
TC _{REF+}	Temperature coefficient	I _{VREF+} = const with 0 mA ≤ I _{VREF+} ≤ 1 mA	3 V			±100	ppm/°C	
t _{REFON}	Settling time of internal reference voltage to 99.9% VREF	I _{VREF+} = 0.5 mA, REF2_5V = 0, REFON = 0 → 1	3.6 V			30	μs	
t _{REFBURST}	Settling time of reference buffer to 99.9% VREF	I _{VREF+} = 0.5 mA, REF2_5V = 1, REFON = 1, REFBURST = 1, ADC10SR = 0	3 V			2	μs	

5.5.1.30 10-Bit ADC, External Reference

over recommended ranges of supply voltage and operating free-air temperature (unless otherwise noted)⁽¹⁾

PARAMETER		TEST CONDITIONS	V _{CC}	MIN	TYP	MAX	UNIT
V _{REF+}	Positive external reference input voltage range ⁽²⁾	V _{REF+} > V _{REF-} , SREF1 = 1, SREF0 = 0		1.4		V _{CC}	V
		V _{REF-} ≤ V _{REF+} ≤ V _{CC} - 0.15 V, SREF1 = 1, SREF0 = 1 ⁽³⁾		1.4		3	
V _{REF-}	Negative external reference input voltage range ⁽⁴⁾	V _{REF+} > V _{REF-}		0		1.2	V
ΔV _{REF}	Differential external reference input voltage range, ΔV _{REF} = V _{REF+} - V _{REF-}	V _{REF+} > V _{REF-} ⁽⁵⁾		1.4		V _{CC}	V
I _{VREF+}	Static input current into V _{REF+}	0 V ≤ V _{REF+} ≤ V _{CC} , SREF1 = 1, SREF0 = 0	3 V			±1	μA
		0 V ≤ V _{REF+} ≤ V _{CC} - 0.15 V ≤ 3 V, SREF1 = 1, SREF0 = 1 ⁽³⁾	3 V			0	
I _{VREF-}	Static input current into V _{REF-}	0 V ≤ V _{REF-} ≤ V _{CC}	3 V			±1	μA

- (1) The external reference is used during conversion to charge and discharge the capacitance array. The input capacitance, C₁, is also the dynamic load for an external reference during conversion. The dynamic impedance of the reference supply should follow the recommendations on analog-source impedance to allow the charge to settle for 10-bit accuracy.
- (2) The accuracy limits the minimum positive external reference voltage. Lower reference voltage levels may be applied with reduced accuracy requirements.
- (3) Under this condition the external reference is internally buffered. The reference buffer is active and requires the reference buffer supply current I_{REFB}. The current consumption can be limited to the sample and conversion period with REBURST = 1.
- (4) The accuracy limits the maximum negative external reference voltage. Higher reference voltage levels may be applied with reduced accuracy requirements.
- (5) The accuracy limits the minimum external differential reference voltage. Lower differential reference voltage levels may be applied with reduced accuracy requirements.

5.5.1.31 10-Bit ADC, Timing Parameters

over recommended ranges of supply voltage and operating free-air temperature (unless otherwise noted)

PARAMETER		TEST CONDITIONS	V _{CC}	MIN	TYP	MAX	UNIT
f _{ADC10CLK}	ADC10 input clock frequency	For specified performance of ADC10 linearity parameters	3 V	0.45		6.3	MHz
						1.5	
f _{ADC10OSC}	ADC10 built-in oscillator frequency	ADC10DIV _x = 0, ADC10SSEL _x = 0, f _{ADC10CLK} = f _{ADC10OSC}	3 V	3.7		6.3	MHz
t _{CONVERT}	Conversion time	ADC10 built-in oscillator, ADC10SSEL _x = 0, f _{ADC10CLK} = f _{ADC10OSC}	3 V	2.06		3.51	μs
		f _{ADC10CLK} from ACLK, MCLK, or SMCLK: ADC10SSEL _x ≠ 0				13 × ADC10DIV _x / f _{ADC10CLK}	
t _{ADC10ON}	Turn-on settling time of the ADC	(1)				100	ns

(1) The condition is that the error in a conversion started after t_{ADC10ON} is less than ±0.5 LSB. The reference and input signal are already settled.

5.5.1.32 10-Bit ADC, Linearity Parameters

over recommended ranges of supply voltage and operating free-air temperature (unless otherwise noted)

PARAMETER		TEST CONDITIONS	V _{CC}	MIN	TYP	MAX	UNIT
E _I	Integral linearity error		3 V			±1	LSB
E _D	Differential linearity error		3 V			±1	LSB
E _O	Offset error	Source impedance R _S < 100 Ω	3 V			±1	LSB
E _G	Gain error		3 V		±1.1	±2	LSB
E _T	Total unadjusted error		3 V		±2	±5	LSB

5.5.1.33 10-Bit ADC, Temperature Sensor and Built-In V_{MID}

over recommended ranges of supply voltage and operating free-air temperature (unless otherwise noted)

PARAMETER		TEST CONDITIONS	V _{CC}	MIN	TYP	MAX	UNIT
I _{SENSOR}	Temperature sensor supply current ⁽¹⁾	REFON = 0, INCH _x = 0Ah, T _A = 25°C	3 V		60		μA
TC _{SENSOR}		ADC10ON = 1, INCH _x = 0Ah ⁽²⁾	3 V		3.55		mV/°C
t _{SENSOR(sample)}	Sample time required if channel 10 is selected ⁽³⁾	ADC10ON = 1, INCH _x = 0Ah, Error of conversion result ≤ 1 LSB	3 V	30			μs
I _{VMID}	Current into divider at channel 11	ADC10ON = 1, INCH _x = 0Bh	3 V			(4)	μA
V _{MID}	V _{CC} divider at channel 11	ADC10ON = 1, INCH _x = 0Bh, V _{MID} ≠ 0.5 × V _{CC}	3 V		1.5		V
t _{VMID(sample)}	Sample time required if channel 11 is selected ⁽⁵⁾	ADC10ON = 1, INCH _x = 0Bh, Error of conversion result ≤ 1 LSB	3 V	1220			ns

(1) The sensor current I_{SENSOR} is consumed if (ADC10ON = 1 and REFON = 1) or (ADC10ON = 1 and INCH = 0Ah and sample signal is high). When REFON = 1, I_{SENSOR} is included in I_{REF+}. When REFON = 0, I_{SENSOR} applies during conversion of the temperature sensor input (INCH = 0Ah).

(2) The following formula can be used to calculate the temperature sensor output voltage:

$$V_{\text{Sensor,typ}} = TC_{\text{Sensor}} (273 + T [^{\circ}\text{C}]) + V_{\text{Offset,sensor}} [\text{mV}] \text{ or}$$

$$V_{\text{Sensor,typ}} = TC_{\text{Sensor}} T [^{\circ}\text{C}] + V_{\text{Sensor}}(T_A = 0^{\circ}\text{C}) [\text{mV}]$$

(3) The typical equivalent impedance of the sensor is 51 kΩ. The sample time required includes the sensor-on time t_{SENSOR(on)}.

(4) No additional current is needed. The V_{MID} is used during sampling.

(5) The on-time t_{VMID(on)} is included in the sampling time t_{VMID(sample)}; no additional on time is needed.

5.5.1.34 Flash Memory

over recommended ranges of supply voltage and operating free-air temperature (unless otherwise noted)

PARAMETER		TEST CONDITIONS	V _{CC}	MIN	TYP	MAX	UNIT
V _{CC(PGM/ERASE)}	Program and erase supply voltage			2.2		3.6	V
f _{FTG}	Flash timing generator frequency			257		476	kHz
I _{PGM}	Supply current from V _{CC} during program		2.2 V/3.6 V		1	5	mA
I _{ERASE}	Supply current from V _{CC} during erase		2.2 V/3.6 V		1	7	mA
t _{CPT}	Cumulative program time ⁽¹⁾		2.2 V/3.6 V			10	ms
t _{CMErase}	Cumulative mass erase time		2.2 V/3.6 V	20			ms
	Program/erase endurance			10 ⁴	10 ⁵		cycles
t _{Retention}	Data retention duration	T _J = 25°C		100			years
t _{Word}	Word or byte program time	⁽²⁾			30		t _{FTG}
t _{Block, 0}	Block program time for first byte or word	⁽²⁾			25		t _{FTG}
t _{Block, 1-63}	Block program time for each additional byte or word	⁽²⁾			18		t _{FTG}
t _{Block, End}	Block program end-sequence wait time	⁽²⁾			6		t _{FTG}
t _{Mass Erase}	Mass erase time	⁽²⁾			10593		t _{FTG}
t _{Seg Erase}	Segment erase time	⁽²⁾			4819		t _{FTG}

(1) The cumulative program time must not be exceeded when writing to a 64-byte flash block. This parameter applies to all programming methods: individual word/byte write and block write modes.

(2) These values are hardwired into the Flash Controller's state machine (t_{FTG} = 1/f_{FTG}).

5.5.1.35 RAM

over recommended ranges of supply voltage and operating free-air temperature (unless otherwise noted)

PARAMETER		TEST CONDITIONS	MIN	MAX	UNIT
V _(RAMh)	RAM retention supply voltage ⁽¹⁾	CPU halted	1.6		V

(1) This parameter defines the minimum supply voltage V_{CC} when the data in RAM remains unchanged. No program execution should happen during this supply voltage condition.

5.5.1.36 JTAG and Spy-Bi-Wire Interface

over recommended ranges of supply voltage and operating free-air temperature (unless otherwise noted)

PARAMETER		TEST CONDITIONS	V _{CC}	MIN	TYP	MAX	UNIT
f _{SBW}	Spy-Bi-Wire input frequency		2.2 V	0		20	MHz
t _{SBW,Low}	Spy-Bi-Wire low clock pulse length		2.2 V	0.025		15	μs
t _{SBW,En}	Spy-Bi-Wire enable time (TEST high to acceptance of first clock edge ⁽¹⁾)		2.2 V			1	μs
t _{SBW,Ret}	Spy-Bi-Wire return to normal operation time		2.2 V	15		100	μs
f _{TCK}	TCK input frequency ⁽²⁾		2.2 V	0		5	MHz
R _{Internal}	Internal pulldown resistance on TEST		2.2 V	25	60	90	kΩ

(1) Tools accessing the Spy-Bi-Wire interface need to wait for the maximum t_{SBW,En} time after pulling the TEST/SBWCLK pin high before applying the first SBWCLK clock edge.

(2) f_{TCK} may be restricted to meet the timing requirements of the module selected.

5.5.1.37 JTAG Fuse

over recommended ranges of supply voltage and operating free-air temperature (unless otherwise noted)⁽¹⁾

PARAMETER		TEST CONDITIONS	MIN	MAX	UNIT
V _{CC(FB)}	Supply voltage during fuse-blow condition	T _A = 25°C	2.5		V
V _{FB}	Voltage level on TEST for fuse blow		6	7	V
I _{FB}	Supply current into TEST during fuse blow			100	mA
t _{FB}	Time to blow fuse			1	ms

(1) Once the fuse is blown, no further access to the JTAG/Test, Spy-Bi-Wire, and emulation feature is possible, and JTAG is switched to bypass mode.

5.5.2 MSP430 Core Operation

NOTE

For support and specific questions related to the MSP430 in the TPS65835 device, please refer to TI's E2E PMU forum and post relevant questions to the forum at the following link: [TI E2E PMU Forum](#).

Please format your posting as follows:

- **Title:** TPS65835 "specific topic"
- **Body:** Question, with supporting code and oscilloscope screen captures if applicable.

5.5.2.1 Description

The MSP430 integrated into the TPS65835 is from the MSP430x2xx family of ultralow-power microcontrollers. The architecture, combined with five low-power modes is optimized to achieve extended battery life in portable applications. The device features a powerful 16-bit RISC CPU, 16-bit registers, and constant generators that contribute to maximum code efficiency. The digitally controlled oscillator (DCO) allows wake-up from low-power modes to active mode in less than 1_μs. The list of the peripherals and modules included in this MSP430 are as follows:

- Up to 16 MHz CPU
- 16 kB Flash Memory
- 512 B RAM
- Basic Clock Module
 - Internal Frequencies up to 16 MHz with one Calibrated Frequency
 - Internal Very-Low-Power Low-Frequency (LF) Oscillator
 - 32 kHz Crystal Support
 - External Digital Clock Source
- 10-Bit ADC
 - 200-ksps Analog-to-Digital (A/D) Converter with Internal Reference, Sample-and-Hold, and Autoscan
- Comparator A+ (Comp_A+)
 - For Analog Signal Compare Function or Slope Analog-to-Digital (A/D) Conversion
- Timer0_A3 and Timer1_A3
 - Up to Two 16-Bit Timer_A with Three Capture/Compare Registers
- Watchdog WDT+
- USCI A0, Universal Serial Communication Interface
 - Enhanced UART Supporting Auto Baudrate Detection (LIN)
 - IrDA Encoder and Decoder
 - Synchronous SPI
 - I²C
- USCI B0, Universal Serial Communication Interface
 - Synchronous SPI
 - I²C
- JTAG / Spy-By-Wire

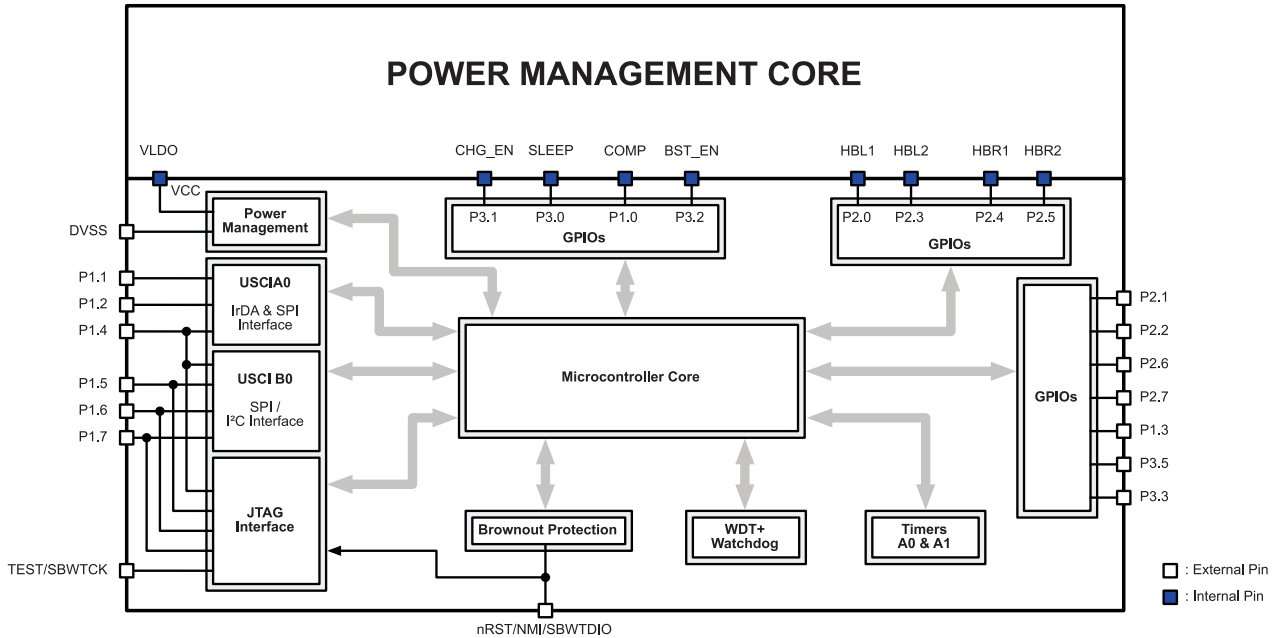


Figure 5-42. MSP430 Functional Block Diagram

5.5.2.2 Accessible MSP430 Pins

There are a number of internal pins connected between the MSP430 core and the power management core as well as external pins on the MSP430. Internal pins are not available externally but can be controlled by the MSP430 core in various ways. A table describing all available MSP430 pin functions (Table 5-7) along with a block diagram detailing the MSP430 core and the pin connectivity (see Figure 5-42) has been made available.

Table 5-7. Internally Connected Pins: MSP430 to Power Management Core

POWER MANAGEMENT CORE PIN	MSP430 CORE PIN	FUNCTIONALITY
VLDO	AVCC / DVCC	Voltage supplied by LDO on power management core, connected to MSP430 power management module Enabled by SWITCH pin input
COMP	P1.0 / A0 / CA0	Scaled down voltage of the BAT pin. Connected to Comparator_A+ channel CA0 or ADC channel A0 of the MSP430 To use COMP and Comp_A+ module function of the MSP430, the pin must be configured properly DO NOT CONFIGURE THIS PIN AS A GPIO AND PULL THIS PIN UP OR DOWN, THIS WILL INCREASE THE OPERATING CURRENT OF THE DEVICE
BST_EN	P3.2	Enable pin for the boost on the power management core, ACTIVE HIGH
CHG_EN	P3.1	Enable pin for the charger on the power management core, ACTIVE HIGH
SLEEP	P3.0	Can put entire device into SLEEP state dependent upon system events, e.g., extended loss of IR or RF synchronization ⁽¹⁾
HBL1	P2.0	Control pin 1 for left frame of active shutter glasses
HBL2	P2.3	Control pin 2 for left frame of active shutter glasses
HBR1	P2.4	Control pin 1 for right frame of active shutter glasses
HBR2	P2.5	Control pin 2 for right frame of active shutter glasses

(1) Note that the SLEEP signal can not be used to wake the system if it is already in the SLEEP state since the LDO used to power the MSP430 would be disabled in this state.

Table 5-8. Externally Available MSP430 Pins

PIN NAME	I/O	FUNCTIONALITY
P1.1/ TA0.0/ UCA0RXD/ UCA0SOMI/ A1/ CA1	I/O	General-purpose digital I/O pin Timer0_A, capture: CCI0A input, compare: Out0 output USCI_A0 receive data input in UART mode USCI_A0 slave data out/master in SPI mode ADC10 analog input A1 Comparator_A+, CA1 input
P1.2/ TA0.1/ UCA0TXD/ UCA0SIMO/ A2/ CA2	I/O	General-purpose digital I/O pin Timer0_A, capture: CCI1A input, compare: Out1 output USCI_A0 transmit data output in UART mode USCI_A0 slave data in/master out in SPI mode ADC10 analog input A2 Comparator_A+, CA2 input
P1.3/ ADC10CLK/ A3 VREF-/VEREF-/ CA3/ CAOUT	I/O	General-purpose digital I/O pin ADC10, conversion clock output ADC10 analog input A3 ADC10 negative reference voltage Comparator_A+, CA3 input Comparator_A+, output
P1.4/ SMCLK/ UCB0STE UCA0CLK/ A4 VREF+/VEREF+/ CA4 TCK	I/O	General-purpose digital I/O pin SMCLK signal output USCI_B0 slave transmit enable USCI_A0 clock input/output ADC10 analog input A4 ADC10 positive reference voltage Comparator_A+, CA4 input JTAG test clock, input terminal for device programming and test
P1.5/ TA0.0/ UCB0CLK/ UCA0STE/ A5/ CA5/ TMS	I/O	General-purpose digital I/O pin Timer0_A, compare: Out0 output USCI_B0 clock input/output USCI_A0 slave transmit enable ADC10 analog input A5 Comparator_A+, CA5 input JTAG test mode select, input terminal for device programming and test
P1.6/ TA0.1/ A6/ CA6/ UCB0SOMI/ UCB0SCL/ TDI/TCLK	I/O	General-purpose digital I/O pin Timer0_A, compare: Out1 output ADC10 analog input A6 Comparator_A+, CA6 input USCI_B0 slave out/master in SPI mode USCI_B0 SCL I2C clock in I2C mode JTAG test data input or test clock input during programming and test
P1.7/ A7/ CA7/ CAOUT/ UCB0SIMO/ UCB0SDA/ TDO/TDI	I/O	General-purpose digital I/O pin ADC10 analog input A7 Comparator_A+, CA7 input Comparator_A+, output USCI_B0 slave in/master out in SPI mode USCI_B0 SDA I2C data in I2C mode JTAG test data output terminal or test data input during programming and test ⁽¹⁾
P2.1/ TA1.1	I/O	General-purpose digital I/O pin Timer1_A, capture: CCI1A input, compare: Out1 output
P2.2/ TA1.1	I/O	General-purpose digital I/O pin Timer1_A, capture: CCI1B input, compare: Out1 output
P2.6/ XIN/ TA0.1	I/O	General-purpose digital I/O pin XIN, Input terminal of crystal oscillator TA0.1, Timer0_A, compare: Out1 output
P2.7/ XOUT	I/O	General-purpose digital I/O pin Output terminal of crystal oscillator ⁽²⁾
P3.3/ TA1.2	I/O	General-purpose digital I/O pin Timer1_A, compare: Out2 output
P3.5/ TA0.1	I/O	General-purpose digital I/O pin Timer0_A, compare: Out0 output

(1) TDO or TDI is selected via JTAG instruction.

(2) If P2.7 is used as an input, excess current will flow until P2SEL.7 is cleared. This is due to the oscillator output driver connection to this pad after reset.

Table 5-8. Externally Available MSP430 Pins (continued)

PIN NAME	I/O	FUNCTIONALITY
nRST/ NMI/ SBWTDIO	I	Reset Nonmaskable interrupt input Spy-Bi-Wire test data input/output during programming and test
TEST/ SBWTCK	I	Selects test mode for JTAG pins on Port 1. The device protection fuse is connected to TEST. Spy-Bi-Wire test clock input during programming and test
DVSS	N/A	MSP430 ground reference

5.5.2.3 MSP430 Port Functions and Programming Options

This section details the programming options that are available for each of the pins that are accessible on the MSP430.

Table 5-9. Internal MSP430 Pin Functions and Programming Options

PIN NAME (P_x) ⁽¹⁾	x	FUNCTION	MSP430 CONTROL BITS / SIGNALS ⁽²⁾				
			P_DIR.x	P_SEL.x	P_SEL2.x	ADC10AE.x INCH.x=1	CAPD.y
P1.0/ A0/ CA0	0	P1.x (I/O)	I: 0; O: 1	0	0	0	0
		A0	X	X	X	1 (y = 0)	0
		CA0	X	X	X	0	1 (y = 0)
P2.0/ TA1.0	0	P2.x (I/O), HBL1 internal signal	I: 0; O: 1	0	0	—	—
		Timer1_A3.TA0	1	1	0	—	—
P2.3/ TA1.0	3	P2.x (I/O), HBL2 internal signal	I: 0; O: 1	0	0	—	—
		Timer1_A3.TA0	1	1	0	—	—
P2.4/ TA1.2	4	P2.x (I/O), HBR1 internal signal	I: 0; O: 1	0	0	—	—
		Timer1_A3.TA2	1	1	0	—	—
P2.5/ TA1.2	5	P2.x (I/O), HBR2 internal signal	I: 0; O: 1	0	0	—	—
		Timer1_A3.TA2	1	1	0	—	—
P3.0/ TA0.2	0	P3.x (I/O), SLEEP signal	I: 0; O: 1	0	0	—	—
		Timer0_A3.TA2	1	1	0	—	—
P3.1/ TA1.2	1	P3.x (I/O), CHG_EN signal, ACTIVE HIGH	I: 0; O: 1	0	0	—	—
		Timer1_A3.TA2	1	1	0	—	—
P3.2/ TA1.2	2	P3.x (I/O), BST_EN signal, ACTIVE HIGH	I: 0; O: 1	0	0	—	—
		Timer1_A3.TA2	1	1	0	—	—

(1) Example: To program port P2.0, the appropriate control bits and MSP430 signals would need to be referenced as *P2DIR.0*, *P2SEL.0*, and *P2SEL2.0*.

(2) X = don't care, — = not applicable

Table 5-10. External MSP430 Port 1 Functions and Programming Options

PIN NAME (P1.x) ⁽¹⁾	x	FUNCTION	MSP430 CONTROL BITS / SIGNALS ⁽²⁾				
			P1DIR.x	P1SEL.x	P1SEL2.x	ADC10AE.x INCH.x=1	CAPD.y
P1.1/ TA0.0/	1	P1.x (I/O)	I: 0; O: 1	0	0	0	0
TA0.0		1	1	0	0	0	
TA0.CCI0A		0	1	0	0	0	
UCA0RXD/		UCA0RXD	from USCI	1	1	0	0
UCA0SOMI/		UCA0SOMI	from USCI	1	1	0	0
A1/		A1	X	X	X	1 (y = 1)	0
CA1/		CA1	X	X	X	0	1 (y = 1)
Pin Osc		Capacitive sensing	X	0	1	0	0
P1.2/ TA0.1/	2	P1.x (I/O)	I: 0; O: 1	0	0	0	0
TA0.1		1	1	0	0	0	
TA0.CCI1A		0	1	0	0	0	
UCA0TXD/		UCA0TXD	from USCI	1	1	0	0
UCA0SIMO/		UCA0SIMO	from USCI	1	1	0	0
A2/		A2	X	X	X	1 (y = 2)	0
CA2/		CA2	X	X	X	0	1 (y = 2)
Pin Osc		Capacitive sensing	X	0	1	0	0
P1.3/ ADC10CLK/	3	P1.x (I/O)	I: 0; O: 1	0	0	0	0
ADC10CLK		1	1	0	0	0	
A3/		A3	X	X	X	1 (y = 3)	0
VREF-/		VREF-	X	X	X	1	0
VEREF-/		VEREF-	X	X	X	1	0
CA3		CA3	X	X	X	0	1 (y = 3)
Pin Osc		Capacitive sensing	X	0	1	0	0
P1.4/ SMCLK/		4	P1.x (I/O)	I: 0; O: 1	0	0	0
SMCLK	1		1	0	0	0	
UCB0STE/	UCB0STE		from USCI	1	1	1 (y = 4)	0
UCA0CLK/	UCA0CLK		from USCI	1	1	1 (y = 4)	0
VREF+/	VREF+		X	X	X	1	0
VEREF+/	VEREF+		X	X	X	1	0
A4/	A4		X	X	X	1 (y = 4)	0
CA4/	CA4		X	X	X	0	1 (y = 4)
TCK/	TCK (JTAG Mode = 1)		X	X	X	0	0
Pin Osc	Capacitive sensing	X	0	1	0	0	
P1.5/ TA0.0/	5	P1.x (I/O)	I: 0; O: 1	0	0	0	0
TA0.0		1	1	0	0	0	
UCB0CLK/		UCB0CLK	from USCI	1	1	0	0
UCA0STE/		UCA0STE	from USCI	1	1	0	0
A5/		A5	X	X	X	1 (y = 5)	0
CA5/		CA5	X	X	X	0	1 (y = 5)
TMS/		TMS (JTAG Mode = 1)	X	X	X	0	0
Pin Osc		Capacitive sensing	X	0	1	0	0

(1) Example: To program port P1.1, the appropriate control bits and MSP430 signals would need to be referenced as *P1DIR.1*, *P1SEL.1*, and *P1SEL2.1*.

(2) X = don't care

Table 5-10. External MSP430 Port 1 Functions and Programming Options (continued)

PIN NAME (P1.x) ⁽¹⁾	x	FUNCTION	MSP430 CONTROL BITS / SIGNALS ⁽²⁾				
			P1DIR.x	P1SEL.x	P1SEL2.x	ADC10AE.x INCH.x=1	CAPD.y
P1.6/	6	P1.x (I/O)	I: 0; O: 1	0	0	0	0
TA0.1/		TA0.1	1	1	0	0	0
UCB0SOMI/		UCB0SOMI	from USCI	1	1	0	0
UCB0SCL/		UCB0SCL	from USCI	1	1	0	0
A6/		A6	X	X	X	1 (y = 6)	0
CA6/		CA6	X	X	X	0	1 (y = 6)
TDI/TCLK/		TDI/TCLK (JTAG Mode = 1)	X	X	X	0	0
Pin Osc		Capacitive sensing	X	0	1	0	0
P1.7/	7	P1.x (I/O)	I: 0; O: 1	0	0	0	0
UCB0SIMO/		UCB0SIMO	from USCI	1	1	0	0
UCB0SDA/		UCB0SDA	from USCI	1	1	0	0
A7/		A7	X	X	X	1 (y = 7)	0
CA7/		CA7	X	X	X	0	1 (y = 7)
CAOUT/		CAOUT	1	1	0	0	0
TDO/TDI/		TDO/TDI (JTAG Mode = 1)	X	X	X	0	0
Pin Osc		Capacitive sensing	X	0	1	0	0

Table 5-11. External MSP430 Port 2 Functions and Programming Options

PIN NAME (P2.x) ⁽¹⁾	x	FUNCTION	MSP430 CONTROL BITS / SIGNALS ⁽²⁾		
			P2DIR.x	P2SEL.x	P2SEL2.x
P2.1/	1	P2.x (I/O)	I: 0; O: 1	0	0
TA1.1/		Timer1_A3.CCI1A	0	1	0
		Timer1_A3.TA1	1	1	0
Pin Osc		Capacitive sensing	X	0	1
P2.2/	2	P2.x (I/O)	I: 0; O: 1	0	0
TA1.1/		Timer1_A3.CCI1B	0	1	0
		Timer1_A3.TA1	1	1	0
Pin Osc		Capacitive sensing	X	0	1
P2.6/	6	P2.x (I/O)	I: 0; O: 1	0	0
XIN/		XIN, LFXT1 Oscillator Input	0	1	0
TA0.1/		Timer0_A3.TA1	1	1	0
Pin Osc		Capacitive sensing	X	0	1
P2.7/	7	P2.x (I/O)	I: 0; O: 1	0	0
XOUT/		XOUT, LFXT1 Oscillator Output	1	1	0
Pin Osc		Capacitive sensing	X	0	1

(1) Example: To program port P2.1, the appropriate control bits and MSP430 signals would need to be referenced as *P2DIR.1*, *P2SEL.1*, and *P2SEL2.1*.

(2) X = don't care

Table 5-12. External MSP430 Port 3 Functions and Programming Options

PIN NAME (P3.x) ⁽¹⁾	x	FUNCTION	MSP430 CONTROL BITS / SIGNALS ⁽²⁾		
			P3DIR.x	P3SEL.x	P3SEL2.x
P3.3/ TA1.1/ Pin Osc	3	P3.x (I/O)	I: 0; O: 1	0	0
		Timer1_A3.TA2	1	1	0
		Capacitive sensing	X	0	1
P3.5/ TA1.1/ Pin Osc	5	P3.x (I/O)	I: 0; O: 1	0	0
		Timer0_A3.TA2	1	1	0
		Capacitive sensing	X	0	1

(1) Example: To program port P3.3, the appropriate control bits and MSP430 signals would need to be referenced as *P3DIR.3*, *P3SEL.3*, and *P3SEL2.3*.

(2) X = don't care

5.5.2.4 Operating Modes

The MSP430 has one active mode and five software-selectable low-power modes of operation. An interrupt event can wake up the device from any of the five low-power modes, service the request, and restore back to the low-power mode on return from the interrupt program.

The following six operating modes can be configured by software:

- Active mode (AM)
 - All clocks are active
- Low-power mode 0 (LPM0)
 - CPU is disabled
 - ACLK and SMCLK remain active, MCLK is disabled
- Low-power mode 1 (LPM1)
 - CPU is disabled
 - ACLK and SMCLK remain active, MCLK is disabled
 - DCO's dc-generator is disabled if DCO not used in active mode
- Low-power mode 2 (LPM2)
 - CPU is disabled
 - MCLK and SMCLK are disabled
 - DCO's dc-generator remains enabled
 - ACLK remains active
- Low-power mode 3 (LPM3)
 - CPU is disabled
 - MCLK and SMCLK are disabled
 - DCO's dc-generator is disabled
 - ACLK remains active
- Low-power mode 4 (LPM4)
 - CPU is disabled
 - ACLK is disabled
 - MCLK and SMCLK are disabled
 - DCO's dc-generator is disabled
 - Crystal oscillator is stopped

5.5.2.5 MSP430x2xx User's Guide

To view the user's guide for the MSP430 integrated into this device, see [MSP430x2xx Family User's Guide](#). The list of peripherals found in this MSP430 is listed in the section: [Section 5.5.2.1](#).

6 Application and Implementation

NOTE

Information in the following applications sections is not part of the TI component specification, and TI does not warrant its accuracy or completeness. TI's customers are responsible for determining suitability of components for their purposes. Customers should validate and test their design implementation to confirm system functionality.

6.1 Application Information

This PMIC is designed specifically for active shutter 3D glasses.

6.2 Typical Application

6.2.1 Active Shutter 3D Glasses

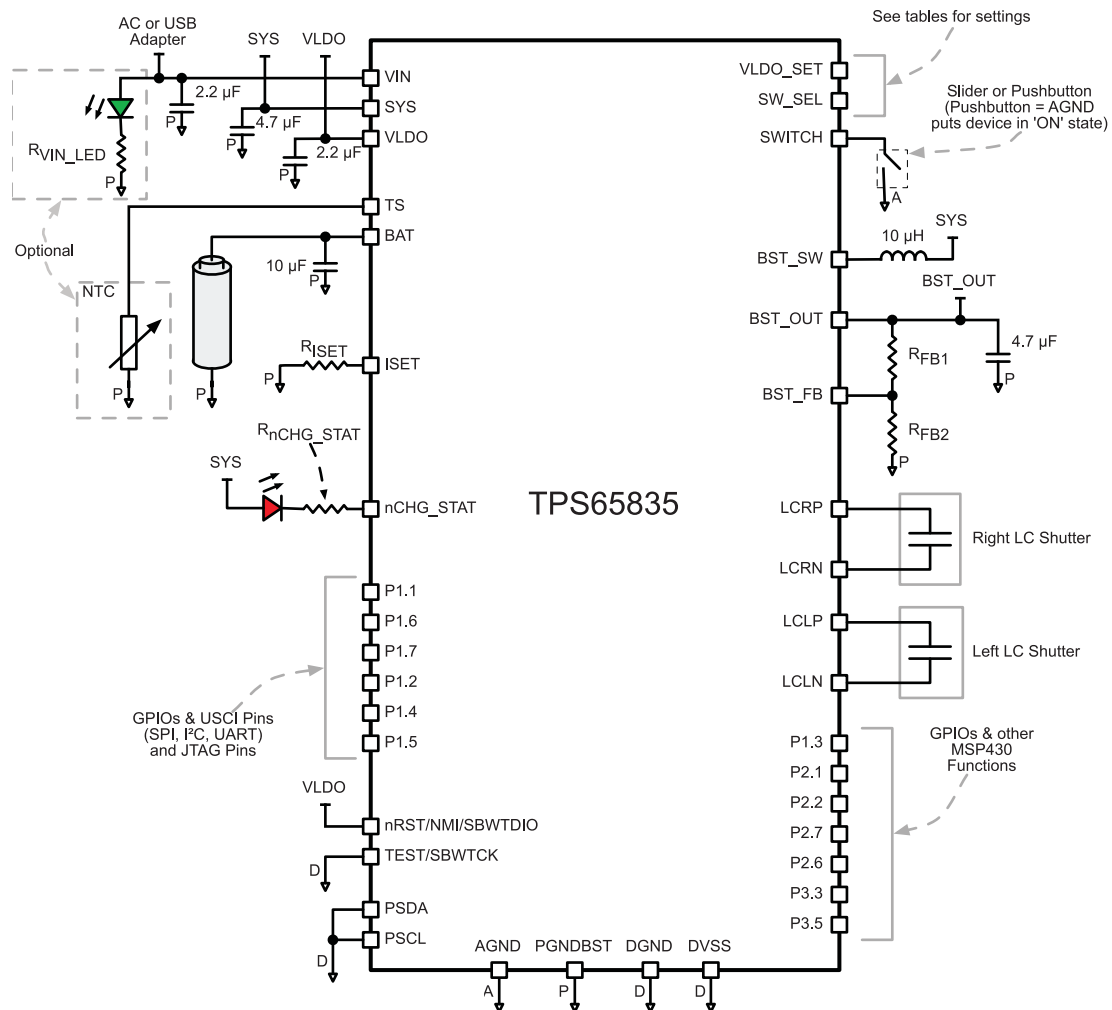


Figure 6-1. TPS65835 Applications Schematic

6.2.1.1 Design Requirements

The design parameters are located in [Table 6-1](#).

Table 6-1. Design Parameters

PARAMETER	EXAMPLE
Input Voltage, V_{IN}	3.7 to 6.4 V
Input Voltage, V_{bat} BAT	2.5 to 6.4 V
Output Voltage, LDO VLDO	2.2 (default) or 3.0 V
Output Voltage Boost, BST_OUT	8 to 16 V, 10 V default
Charge Current $I_{chg}=K_{iset}/R_{iset}$	5 to 100 mA, 70 mA default
Input Voltage Low V_{IL} (BST_EN , CHG_EN , SW_SEL , VLDO, HBRx, HBLx)	0.4 V
Input Voltage High V_{IH} (BST_EN , CHG_EN , SW_SEL , VLDO, HBRx, HBLx)	1.2 V

6.2.1.2 Detailed Design Procedure

6.2.1.2.1 Boost Converter Application Information

6.2.1.2.1.1 Setting Boost Output Voltage

To set the boost converter output voltage of this device, two external resistors that form a feedback network are required. The values recommended below (in Table 6-2) are given for a desired quiescent current of 5 μ A when the boost is enabled and switching. See Figure 6-2 for the detail of the applications schematic that shows the boost feedback network and the resistor names used in the table below.

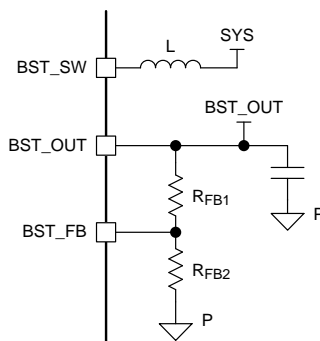


Figure 6-2. Boost Feedback Network Schematic

Table 6-2. Recommended R_{FB1} and R_{FB2} Values (for $I_{Q(FB)} = 5 \mu$ A)

TARGETED V_{BST_OUT}	R_{FB1} (1)	R_{FB2} (1)
8 V	1.3 M Ω	240 k Ω
10 V	1.8 M Ω	240 k Ω
12 V	2.2 M Ω	240 k Ω
14 V	2.4 M Ω	240 k Ω
16 V	3.0 M Ω	240 k Ω

(1) Resistance values given in closest standard value (5% tolerance, E24 grouping).

These resistance values can also be calculated using the following information. To start, it is helpful to target a quiescent current through the boost feedback network while the device is operating ($I_{Q(FB)}$). When the boost output voltage and this targeted quiescent current is known, the total feedback network resistance can be found.

The value for R_{FB2} can be found by using the boost feedback pin voltage ($V_{FB} = 1.2$ V, see Section 4.6) and $I_{Q(FB)}$ using Equation 1:

$$R_{FB1} + R_{FB2} = V_{BST_OUT} / I_{Q(FB)} \quad (1)$$

$$R_{FB2} = (1.2 \text{ V}) / I_{Q(FB)} \tag{2}$$

To find R_{FB1} , simply subtract the R_{FB2} from $R_{FB(TOT)}$ as shown in Equation 3.

$$R_{FB1} = R_{FB(TOT)} - R_{FB2} \tag{3}$$

6.2.1.2.1.2 Boost Inductor Selection

The selection of the boost inductor and output capacitor is very important to the performance of the boost converter. The boost has been designed for optimized operation when a 10 μH inductor is used. Smaller inductors, down to 4.7 μH , may be used but there will be a slight loss in overall operating efficiency. A few inductors that have been tested and found to give good performance can be found in the following list.

Recommended 10- μH inductors:

- TDK VLS201612ET-100M (10 μH , $I_{MAX} = 0.53 \text{ A}$, $R_{DC} = 0.85 \Omega$)
- Taiyo Yuden CBC2016B100M (10 μH , $I_{MAX} = 0.41 \text{ A}$, $R_{DC} = 0.82 \Omega$)

6.2.1.2.1.3 Boost Capacitor Selection

The recommended minimum value for the capacitor on the boost output, BST_OUT pin, is 4.7 μF . Values that are larger can be used with the measurable impact being a slight reduction in the boost converter output voltage ripple while values smaller than this will result in an increased boost output voltage ripple. Note that the voltage rating of the capacitor should be sized for the maximum expected voltage at the BST_OUT pin.

6.2.1.2.2 Bypassing Default Push-Button SWITCH Functionality

If the SWITCH pin functionality is not required to power on and off the device because of different system requirements (SWITCH timing requirements of system will be controlled by the internal MSP430), then the feature can be bypassed. The following diagram shows the connections required for this configuration.

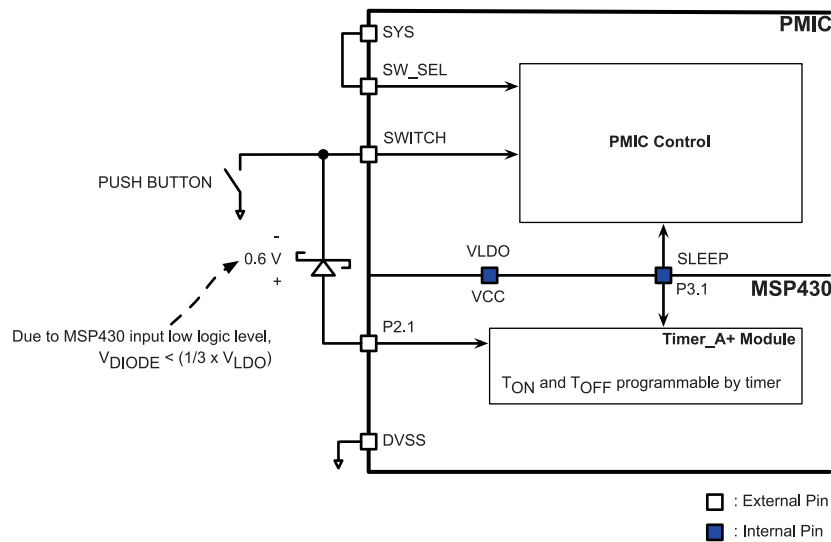


Figure 6-3. Bypassing Default TPS65835 Push Button SWITCH Timing

In a system where a different push-button SWITCH off timing is required, the SLEEP pin is used to control the power off of the device. After system power up, the MCU must force the SLEEP pin to a high state ($V_{SLEEP} > V_{IH(PMIC)}$). Once the SWITCH push-button is pressed to shut the system down, a timer in the MCU should be active and counting the desired t_{OFF} time of the device. Once this t_{OFF} time is detected, the MCU can assert the SLEEP signal to a logic low level ($V_{SLEEP} < V_{IL(PMIC)}$). It is on the falling edge of the SLEEP signal where the system will be powered off (see Figure 6-4).

SWITCH Power Off Behavior SLEEP Controlling Off

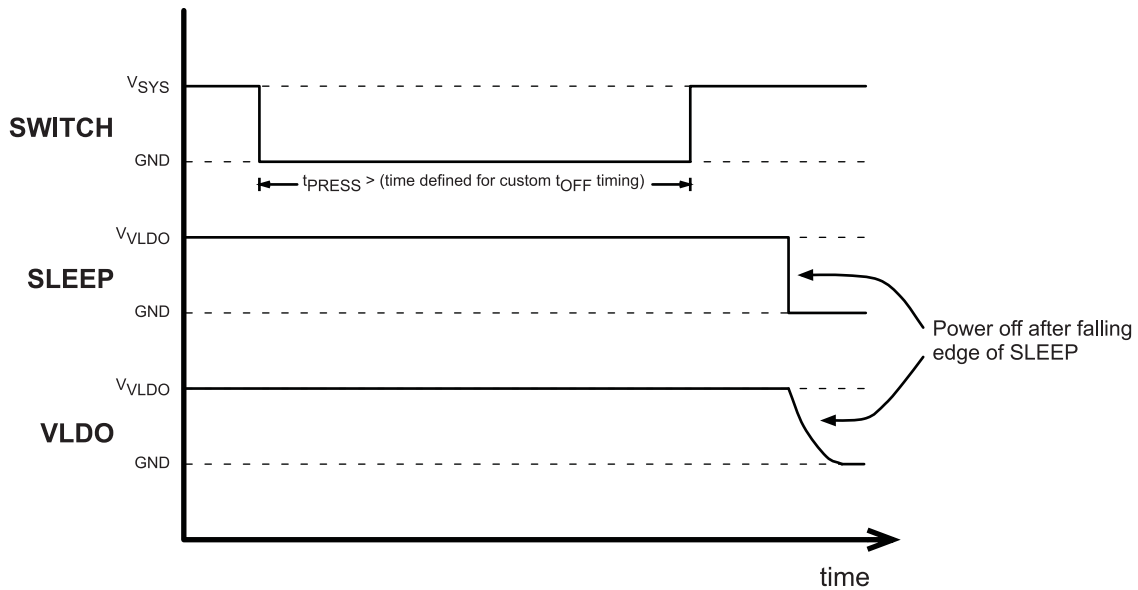


Figure 6-4. SWITCH Press and SLEEP Signal to Control System Power Off

6.2.1.2.3 MSP430 Programming

In order to program the integrated MSP430 in the TPS65835 device, ensure that the programming environment supports the TPS65835 device.

6.2.1.2.3.1 Code To Setup Power Functions

This section will detail a basic code to control the MSP430 in the TPS65835 and how to configure the power functions and control the power die. Please reference [Table 5-9](#) for the details on configuring the MSP430 pins. Note that `"/"` is a comment and this code was written using Code Composer Studio in C.

```
// SETUP H-BRIDGE PINS
P2DIR |= (BIT5 + BIT4 + BIT3 + BIT0); // Set PxDIR to 1 for outputs
P2REN |= (BIT5 + BIT4 + BIT3 + BIT0); // Enable pull-up/pull-down resistors on outputs

// SETUP SLEEP, CHG_EN, AND BST_EN
P3DIR |= (BIT2 + BIT1 + BIT0); // Set PxDIR to 1 for outputs
P3REN |= (BIT2 + BIT1 + BIT0); // Enable pull-up/pull-down resistors on outputs
```

The previous code setup the power pins for outputs, now they must be controlled with MSP430 code. Refer to the following code to perform initial setup and to control the power functions (SLEEP, CHG_EN, and BST_EN):

```
P3OUT &= ~BIT0; // Set SLEEP mode signal low; SLEEP Function is disabled
// P3OUT |= BIT0; // Set SLEEP mode signal high (sleep control via MSP430)

// P3OUT &= ~BIT1; // Set CHG_EN signal low (disable charger)
P3OUT |= BIT1; // Set CHG_EN signal high (enable charger)

// P3OUT &= ~BIT2; // Set BST_EN low (disable boost)
P3OUT |= BIT2; // Set BST_EN high (enable boost)
```

The H-Bridge pins can be controlled in a similar manner (see [Section 5.3.5.1](#)). The following code is only meant to cover each H-Bridge mode of operation and the appropriate code needed to put it in that state:

```
// BOTH SIDES IN OPEN STATE
P2OUT &= ~(BIT3 + BIT0); // HBL2 = 0, HBL1 = 0
P2OUT &= ~(BIT5 + BIT4); // HBR2 = 0, HBR1 = 0

// BOTH SIDES IN GROUNDED STATE
P2OUT |= BIT3 + BIT0; // HBL2 = 1, HBL1 = 1
P2OUT |= BIT5 + BIT4; // HBR2 = 1, HBR1 = 1

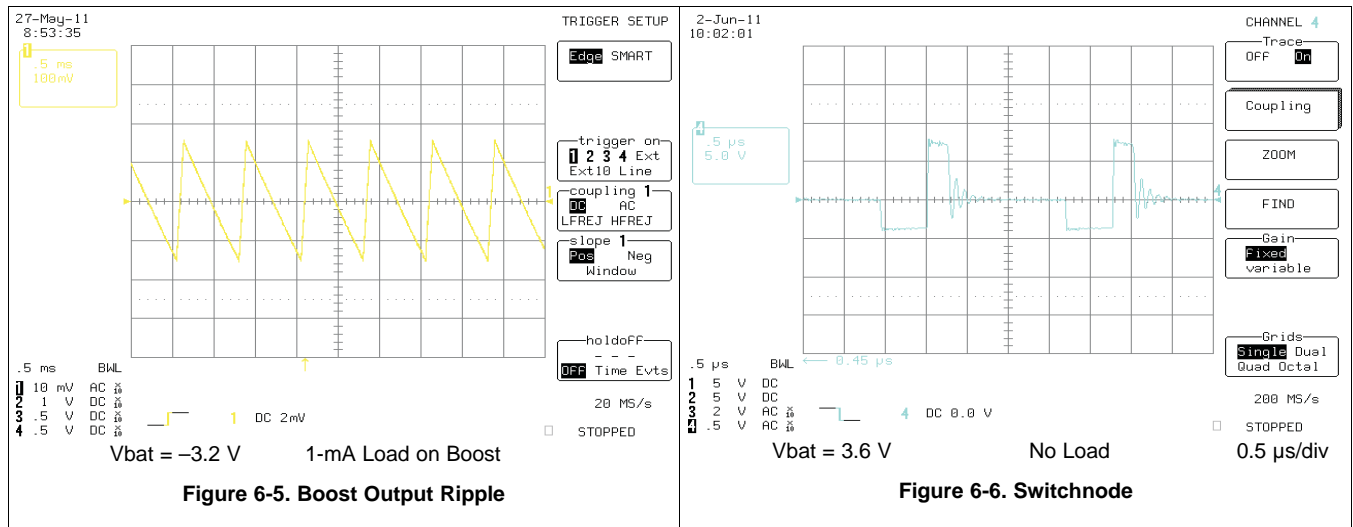
// LEFT SIDE IN CHARGE+ STATE
P2OUT &= ~BIT3; P2OUT |= BIT0; // HBL2 = 0, HBL1 = 1

// LEFT SIDE IN CHARGE- STATE
P2OUT |= BIT3; P2OUT &= ~BIT0; // HBL2 = 1, HBL1 = 0

// RIGHT SIDE IN CHARGE+ STATE
P2OUT &= ~BIT5; P2OUT |= BIT4; // HBR2 = 0, HBR1 = 1

// RIGHT SIDE IN CHARGE- STATE
P2OUT |= BIT5; P2OUT &= ~BIT4; // HBR2 = 1, HBR1 = 0
```


6.2.1.3 Application Curves



7 Power Supply Recommendations

An DC Input Voltage range of 3.7 to 6.4 V is required on V_{IN} and a range of 2.5 V to 6.4 V is required on BAT.

V_{IN} requires a 2.2- μF capacitor.

SYS requires a 4.7- μF capacitor.

BAT requires a 10- μF capacitor.

VLDO requires a 2.2- μF capacitor.

8 Layout

8.1 Layout Guidelines

The layout is an important step in the design process. Proper function of the device demands careful attention to the PCB layout. Care must be taken in board layout to get the specified performance. If the layout is not carefully done, the regulators may show poor performance including stability issues as well as EMI problems. It is critical to provide a low impedance ground path. Therefore, use wide and short traces for the main current paths. The input capacitors must be placed as close as possible to the IC pins as well as the inductor and output capacitor.

Keep the common path to the ground pins which return the small signal components and the high current of the output capacitors as short as possible in order to avoid ground noise.

8.2 Layout Example

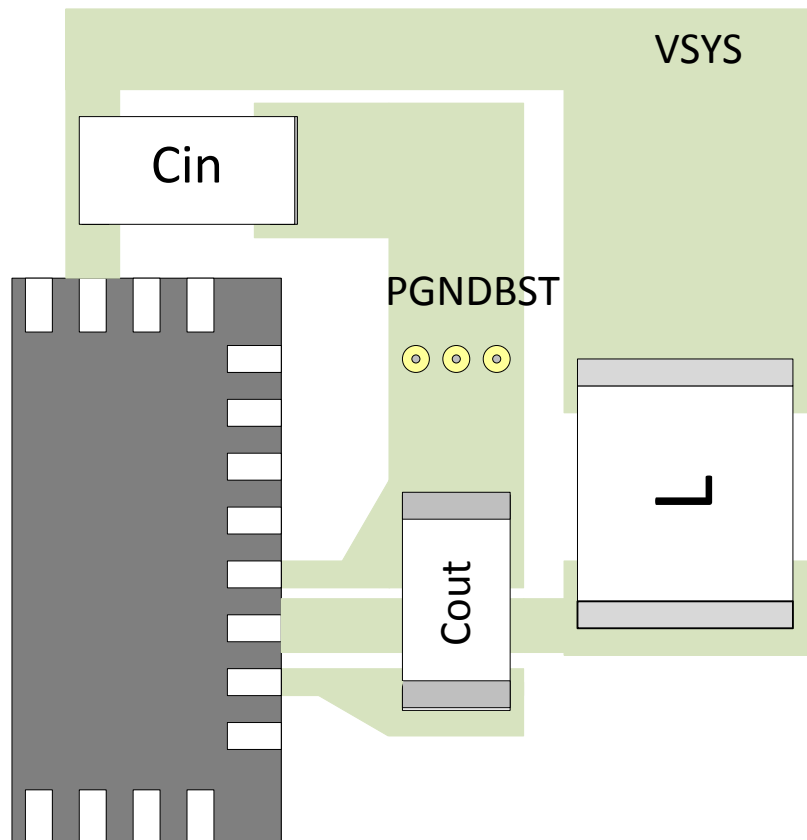


Figure 8-1. Boost Layout

9 Device and Documentation Support

9.1 Device Support

9.1.1 *Third-Party Products Disclaimer*

TI'S PUBLICATION OF INFORMATION REGARDING THIRD-PARTY PRODUCTS OR SERVICES DOES NOT CONSTITUTE AN ENDORSEMENT REGARDING THE SUITABILITY OF SUCH PRODUCTS OR SERVICES OR A WARRANTY, REPRESENTATION OR ENDORSEMENT OF SUCH PRODUCTS OR SERVICES, EITHER ALONE OR IN COMBINATION WITH ANY TI PRODUCT OR SERVICE.

9.2 Community Resources

The following links connect to TI community resources. Linked contents are provided "AS IS" by the respective contributors. They do not constitute TI specifications and do not necessarily reflect TI's views; see TI's [Terms of Use](#).

TI E2E™ Online Community *TI's Engineer-to-Engineer (E2E) Community*. Created to foster collaboration among engineers. At e2e.ti.com, you can ask questions, share knowledge, explore ideas and help solve problems with fellow engineers.

Design Support *TI's Design Support* Quickly find helpful E2E forums along with design support tools and contact information for technical support.

9.3 Trademarks

E2E is a trademark of Texas Instruments.
All other trademarks are the property of their respective owners.

9.4 Electrostatic Discharge Caution



These devices have limited built-in ESD protection. The leads should be shorted together or the device placed in conductive foam during storage or handling to prevent electrostatic damage to the MOS gates.

9.5 Glossary

[SLYZ022](#) — *TI Glossary*.



This glossary lists and explains terms, acronyms, and definitions.

10 Mechanical, Packaging, and Orderable Information

10.1 Packaging Information

The following pages include mechanical, packaging, and orderable information. This information is the most current data available for the designated devices. This data is subject to change without notice and revision of this document. For browser-based versions of this data sheet, refer to the left-hand navigation.

PACKAGING INFORMATION

Orderable Device	Status (1)	Package Type	Package Drawing	Pins	Package Qty	Eco Plan (2)	Lead/Ball Finish (6)	MSL Peak Temp (3)	Op Temp (°C)	Device Marking (4/5)	Samples
TPS65835RKPR	ACTIVE	VQFN	RKP	40	3000	Green (RoHS & no Sb/Br)	NIPDAU	Level-2-260C-1 YEAR	-40 to 85	TPS 65835	
TPS65835RKPT	ACTIVE	VQFN	RKP	40	250	Green (RoHS & no Sb/Br)	NIPDAU	Level-2-260C-1 YEAR	-40 to 85	TPS 65835	

(1) The marketing status values are defined as follows:

ACTIVE: Product device recommended for new designs.

LIFEBUY: TI has announced that the device will be discontinued, and a lifetime-buy period is in effect.

NRND: Not recommended for new designs. Device is in production to support existing customers, but TI does not recommend using this part in a new design.

PREVIEW: Device has been announced but is not in production. Samples may or may not be available.

OBsolete: TI has discontinued the production of the device.

(2) **RoHS:** TI defines "RoHS" to mean semiconductor products that are compliant with the current EU RoHS requirements for all 10 RoHS substances, including the requirement that RoHS substance do not exceed 0.1% by weight in homogeneous materials. Where designed to be soldered at high temperatures, "RoHS" products are suitable for use in specified lead-free processes. TI may reference these types of products as "Pb-Free".

RoHS Exempt: TI defines "RoHS Exempt" to mean products that contain lead but are compliant with EU RoHS pursuant to a specific EU RoHS exemption.

Green: TI defines "Green" to mean the content of Chlorine (Cl) and Bromine (Br) based flame retardants meet JS709B low halogen requirements of <=1000ppm threshold. Antimony trioxide based flame retardants must also meet the <=1000ppm threshold requirement.

(3) MSL, Peak Temp. - The Moisture Sensitivity Level rating according to the JEDEC industry standard classifications, and peak solder temperature.

(4) There may be additional marking, which relates to the logo, the lot trace code information, or the environmental category on the device.

(5) Multiple Device Markings will be inside parentheses. Only one Device Marking contained in parentheses and separated by a "~" will appear on a device. If a line is indented then it is a continuation of the previous line and the two combined represent the entire Device Marking for that device.

(6) Lead/Ball Finish - Orderable Devices may have multiple material finish options. Finish options are separated by a vertical ruled line. Lead/Ball Finish values may wrap to two lines if the finish value exceeds the maximum column width.

Important Information and Disclaimer:The information provided on this page represents TI's knowledge and belief as of the date that it is provided. TI bases its knowledge and belief on information provided by third parties, and makes no representation or warranty as to the accuracy of such information. Efforts are underway to better integrate information from third parties. TI has taken and continues to take reasonable steps to provide representative and accurate information but may not have conducted destructive testing or chemical analysis on incoming materials and chemicals. TI and TI suppliers consider certain information to be proprietary, and thus CAS numbers and other limited information may not be available for release.

In no event shall TI's liability arising out of such information exceed the total purchase price of the TI part(s) at issue in this document sold by TI to Customer on an annual basis.

TAPE AND REEL INFORMATION

QUADRANT ASSIGNMENTS FOR PIN 1 ORIENTATION IN TAPE


*All dimensions are nominal

Device	Package Type	Package Drawing	Pins	SPQ	Reel Diameter (mm)	Reel Width W1 (mm)	A0 (mm)	B0 (mm)	K0 (mm)	P1 (mm)	W (mm)	Pin1 Quadrant
TPS65835RKPR	VQFN	RKP	40	3000	330.0	12.4	5.3	5.3	1.5	8.0	12.0	Q2
TPS65835RKPT	VQFN	RKP	40	250	180.0	12.4	5.3	5.3	1.5	8.0	12.0	Q2

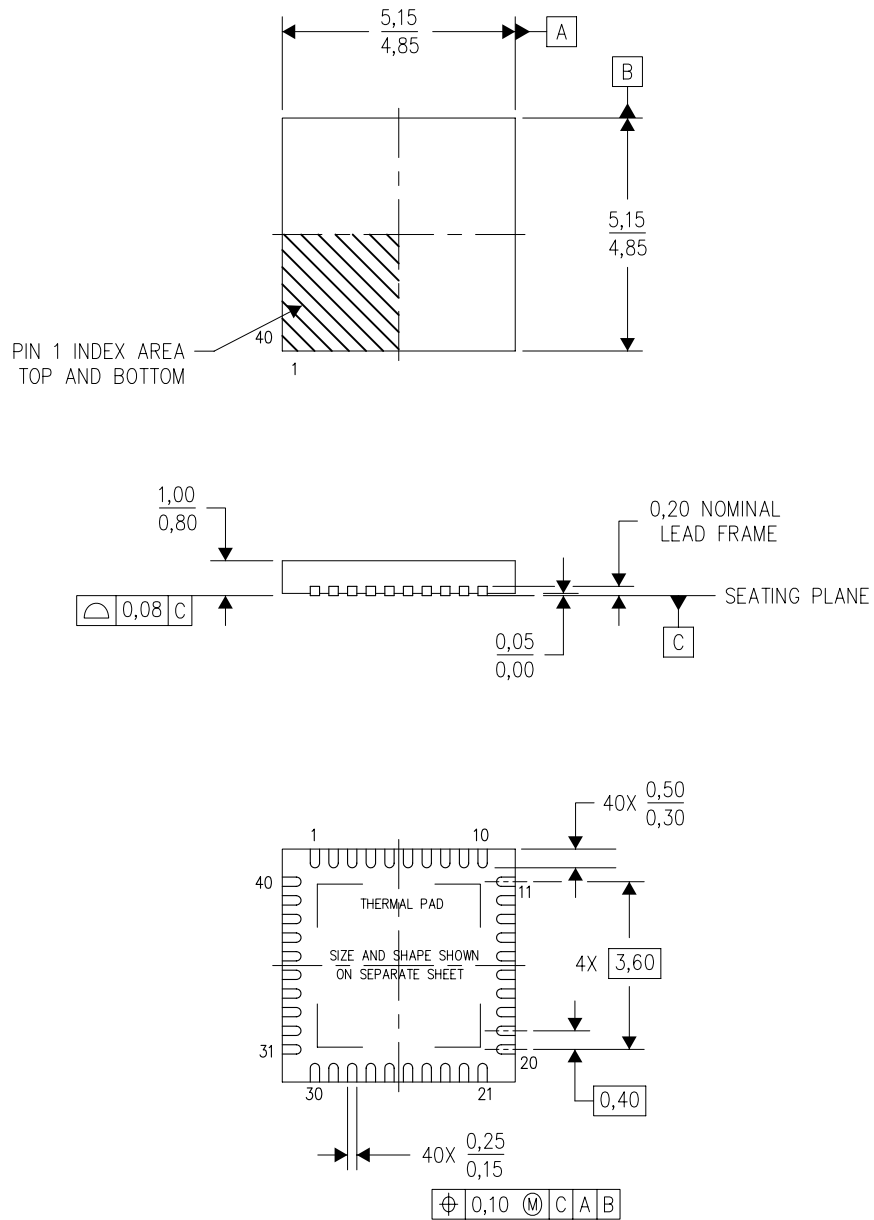
TAPE AND REEL BOX DIMENSIONS


*All dimensions are nominal

Device	Package Type	Package Drawing	Pins	SPQ	Length (mm)	Width (mm)	Height (mm)
TPS65835RKPR	VQFN	RKP	40	3000	367.0	367.0	35.0
TPS65835RKPT	VQFN	RKP	40	250	210.0	185.0	35.0

RKP (S-PVQFN-N40)

PLASTIC QUAD FLATPACK NO-LEAD



4211175/B 01/12

- NOTES:
- All linear dimensions are in millimeters. Dimensioning and tolerancing per ASME Y14.5M-1994.
 - This drawing is subject to change without notice.
 - QFN (Quad Flatpack No-Lead) Package configuration.
 - The package thermal pad must be soldered to the board for thermal and mechanical performance.
 - See the additional figure in the Product Data Sheet for details regarding the exposed thermal pad features and dimensions.

THERMAL PAD MECHANICAL DATA

RKP (S-PVQFN-N40)

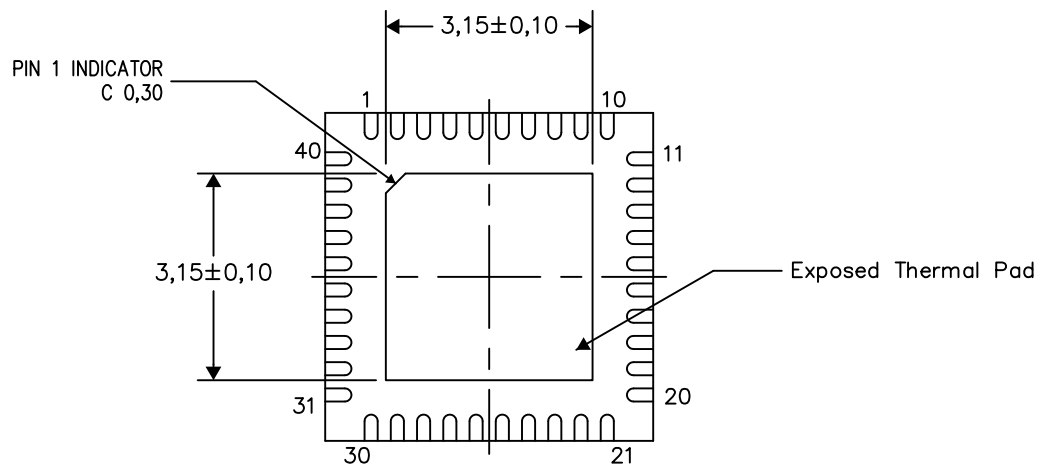
PLASTIC QUAD FLATPACK NO-LEAD

THERMAL INFORMATION

This package incorporates an exposed thermal pad that is designed to be attached directly to an external heatsink. The thermal pad must be soldered directly to the printed circuit board (PCB). After soldering, the PCB can be used as a heatsink. In addition, through the use of thermal vias, the thermal pad can be attached directly to the appropriate copper plane shown in the electrical schematic for the device, or alternatively, can be attached to a special heatsink structure designed into the PCB. This design optimizes the heat transfer from the integrated circuit (IC).

For information on the Quad Flatpack No-Lead (QFN) package and its advantages, refer to Application Report, QFN/SON PCB Attachment, Texas Instruments Literature No. SLUA271. This document is available at www.ti.com.

The exposed thermal pad dimensions for this package are shown in the following illustration.



Bottom View

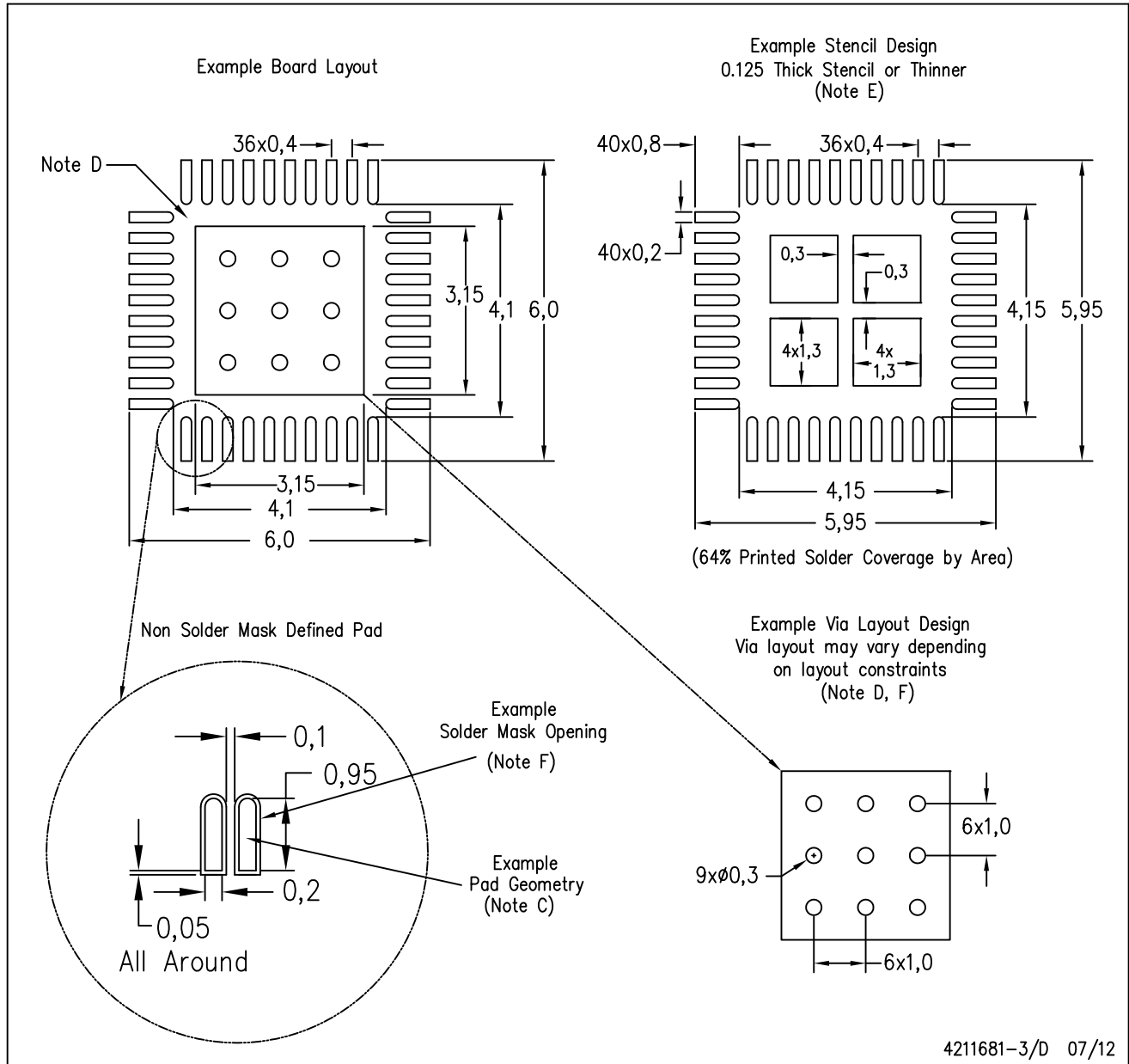
Exposed Thermal Pad Dimensions

4211176-3/H 06/12

NOTE: All linear dimensions are in millimeters

RKP (S-PVQFN-N40)

PLASTIC QUAD FLATPACK NO-LEAD



4211681-3/D 07/12

- NOTES:
- A. All linear dimensions are in millimeters.
 - B. This drawing is subject to change without notice.
 - C. Publication IPC-7351 is recommended for alternate designs.
 - D. This package is designed to be soldered to a thermal pad on the board. Refer to Application Note, Quad Flat-Pack Packages, Texas Instruments Literature No. SLUA271, and also the Product Data Sheets for specific thermal information, via requirements, and recommended board layout. These documents are available at www.ti.com <<http://www.ti.com>>.
 - E. Laser cutting apertures with trapezoidal walls and also rounding corners will offer better paste release. Customers should contact their board assembly site for stencil design recommendations. Refer to IPC 7525 for stencil design considerations.
 - F. Customers should contact their board fabrication site for recommended solder mask tolerances and via tenting recommendations for vias placed in the thermal pad.

IMPORTANT NOTICE AND DISCLAIMER

TI PROVIDES TECHNICAL AND RELIABILITY DATA (INCLUDING DATASHEETS), DESIGN RESOURCES (INCLUDING REFERENCE DESIGNS), APPLICATION OR OTHER DESIGN ADVICE, WEB TOOLS, SAFETY INFORMATION, AND OTHER RESOURCES "AS IS" AND WITH ALL FAULTS, AND DISCLAIMS ALL WARRANTIES, EXPRESS AND IMPLIED, INCLUDING WITHOUT LIMITATION ANY IMPLIED WARRANTIES OF MERCHANTABILITY, FITNESS FOR A PARTICULAR PURPOSE OR NON-INFRINGEMENT OF THIRD PARTY INTELLECTUAL PROPERTY RIGHTS.

These resources are intended for skilled developers designing with TI products. You are solely responsible for (1) selecting the appropriate TI products for your application, (2) designing, validating and testing your application, and (3) ensuring your application meets applicable standards, and any other safety, security, or other requirements. These resources are subject to change without notice. TI grants you permission to use these resources only for development of an application that uses the TI products described in the resource. Other reproduction and display of these resources is prohibited. No license is granted to any other TI intellectual property right or to any third party intellectual property right. TI disclaims responsibility for, and you will fully indemnify TI and its representatives against, any claims, damages, costs, losses, and liabilities arising out of your use of these resources.

TI's products are provided subject to TI's Terms of Sale (www.ti.com/legal/termsofsale.html) or other applicable terms available either on ti.com or provided in conjunction with such TI products. TI's provision of these resources does not expand or otherwise alter TI's applicable warranties or warranty disclaimers for TI products.

Mailing Address: Texas Instruments, Post Office Box 655303, Dallas, Texas 75265
Copyright © 2020, Texas Instruments Incorporated