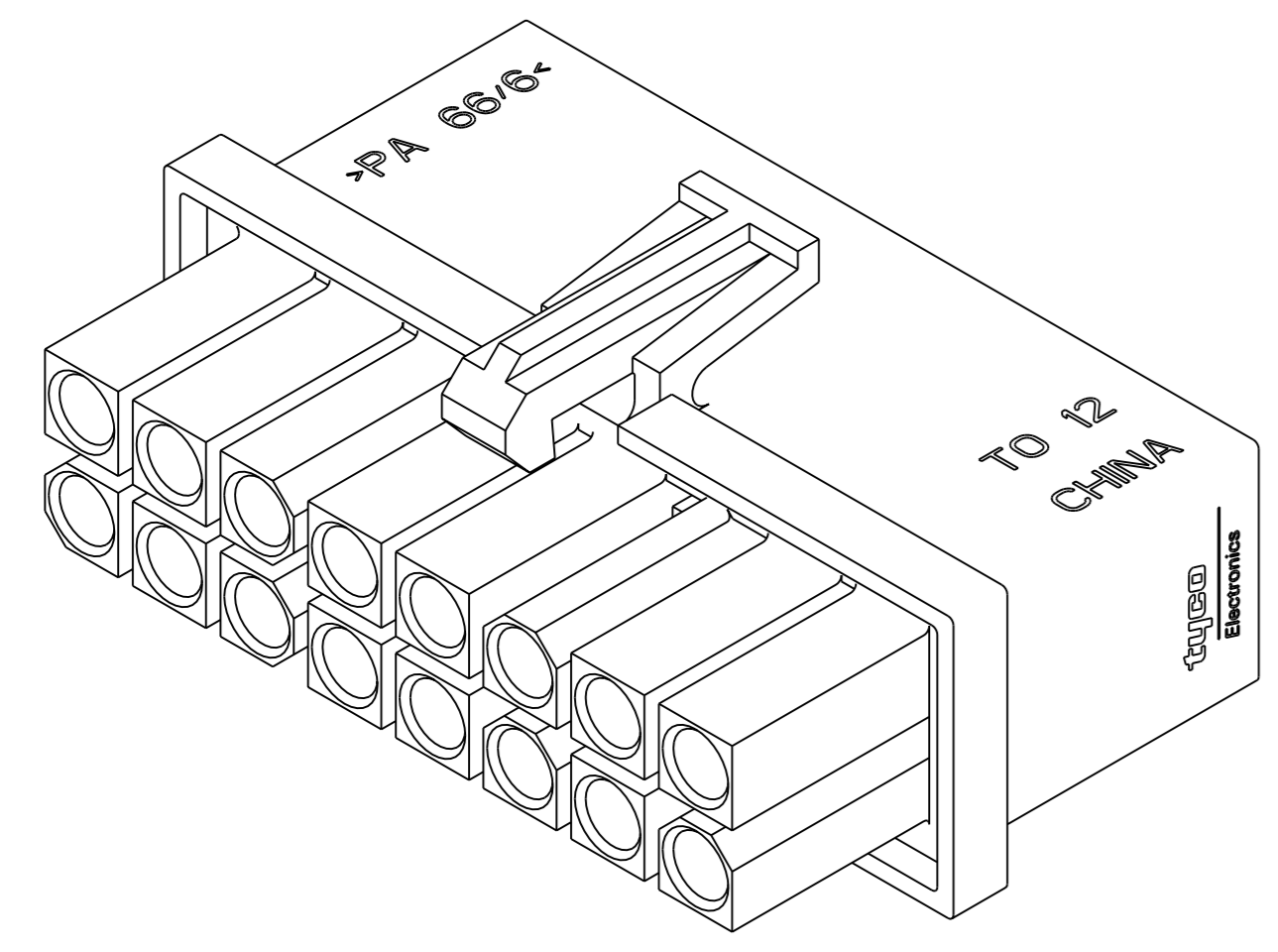
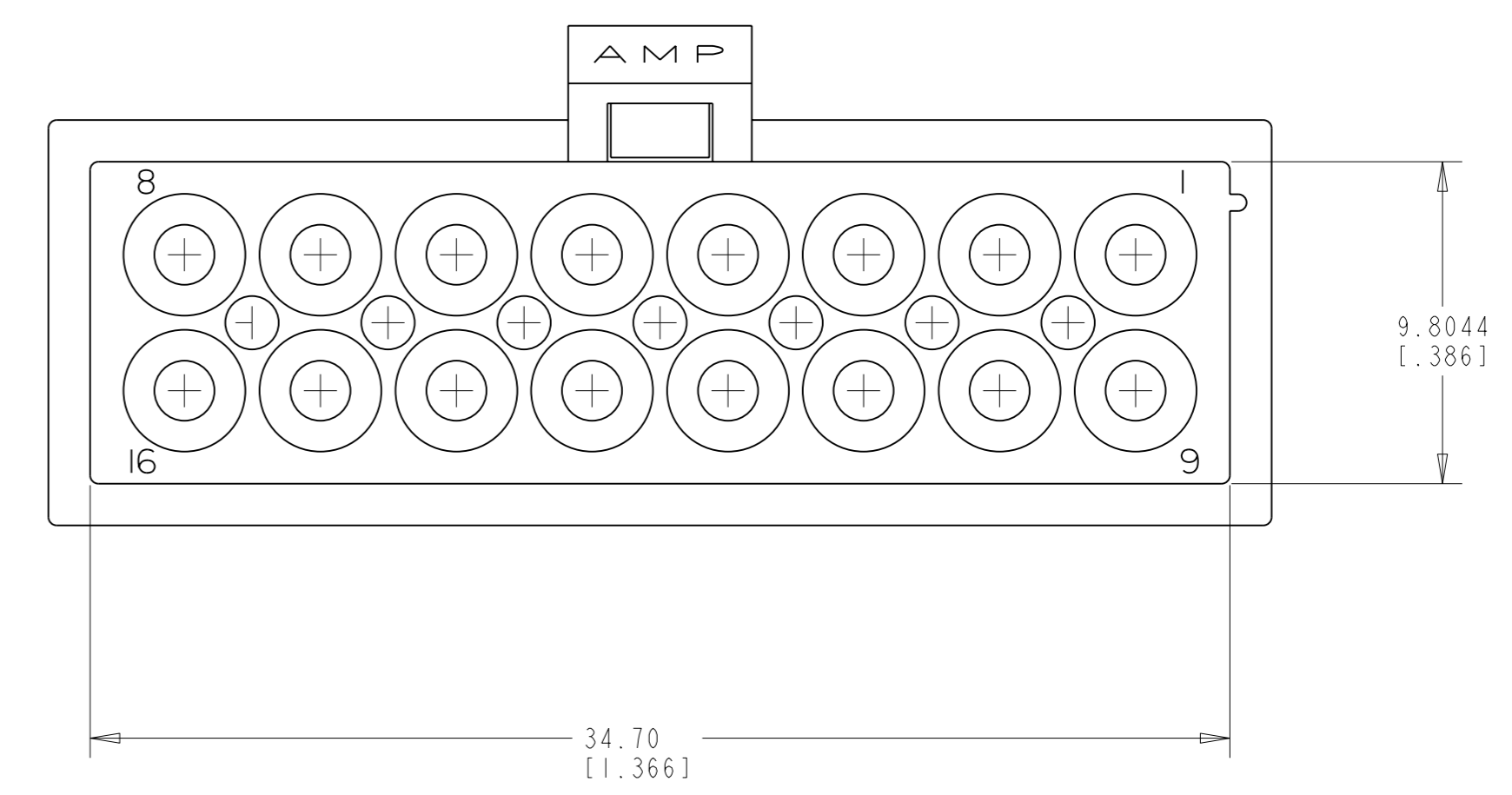
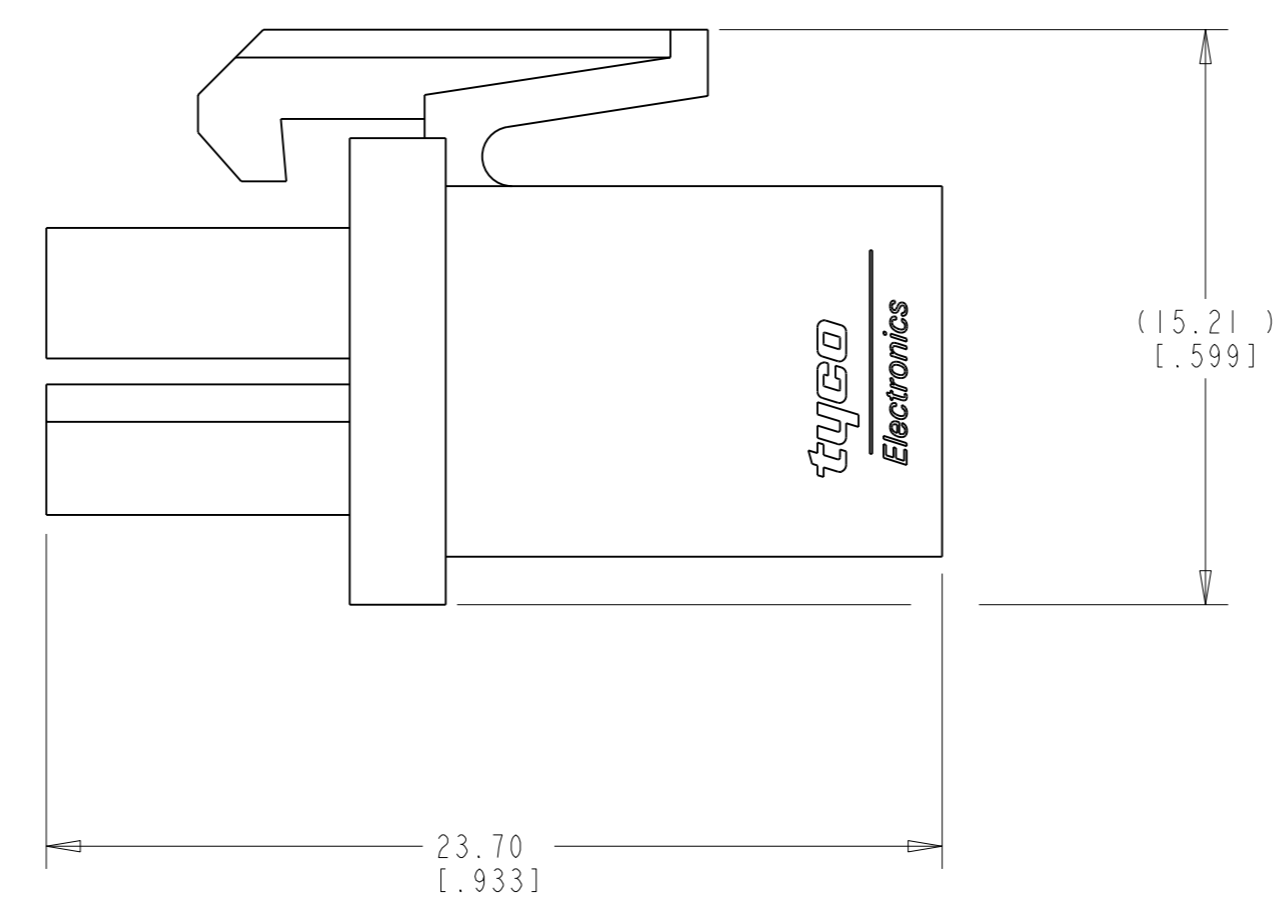
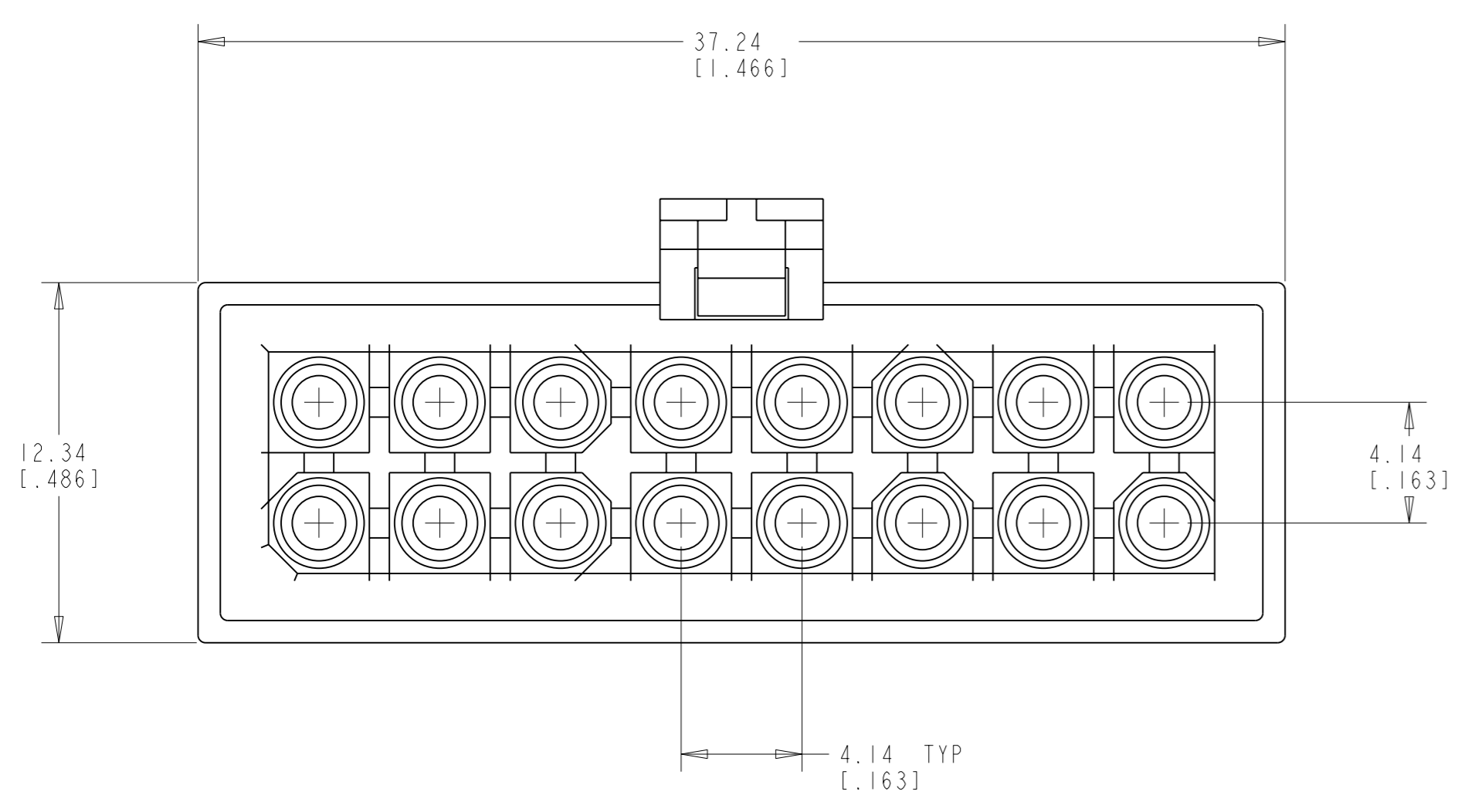


LOC	DIST	REVISIONS			
F	LYR	DESCRIPTION	DATE	DWN	APVD
2		REVISED PER 0G3B-0820-03	21-OCT-03	KW	CJ
3		REVISED PER 0G3B-0015-05	04FEB05	KW	CJ
A		REVISED PER ECO-06-006276	17MAR06	KW	CJ

1. DIMENSIONS IN BRACKETS ARE IN INCHES.



3 DIMENSIONAL MODEL  
 SCALE 4:1

METRIC

794824-1  
 PART NUMBER

DIMENSIONS: mm [INCHES]		TOLERANCES UNLESS OTHERWISE SPECIFIED: 0 PLC ± 1 PLC ± 2 PLC ±0.13(.005) 3 PLC ± 4 PLC ± ANGLES 40° 30'		DWN: K. WHITAKER 10AUG2000 CHK: K. COBLE 10AUG2000 APVD: K. COBLE 10AUG2000 NAME: PLUG, 16 CIRCUIT, MINI UNIVERSAL MATE-N-LOK(TM) APPLICATION SPEC:		Tyco Electronics Harrisburg, PA 17105-3608	
MATERIAL: NYLON UL 94V-0, WHITE FINISH:		WEIGHT: 0.249		SIZE: A CAGE CODE: 00779 DRAWING NO: 794824		RESTRICTED TO:	
CUSTOMER DRAWING				SCALE: 5:1		SHEET 1 OF 1 REV A	

# Mouser Electronics

Authorized Distributor

Click to View Pricing, Inventory, Delivery & Lifecycle Information:

[TE Connectivity:](#)

[794824-1](#)