

THIS DRAWING IS UNPUBLISHED. RELEASED FOR PUBLICATION SEP. 2005.
 © COPYRIGHT 2005 By - ALL RIGHTS RESERVED.

| LOC | DIST | REVISIONS | | |
|-----|------|-----------|-----|-----------------------|
| J | / | P | LTR | DESCRIPTION |
| | | | | DATE |
| | | | | DWN |
| | | | | APVD |
| | | F5 | | REVISED(ADD A NEW PN) |
| | | | | 23DEC2015 |
| | | | | A.X |
| | | | | H.W |

NOTICE: THIS COMMUNICATION INCLUDES TE CONNECTIVITY CONFIDENTIAL OR PROPRIETARY INFORMATION THAT MAY ALSO BE LEGALLY PRIVILEGED.


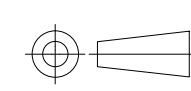
| | | | | | | | | | | | | | | |
|---------------|-------------|----------------------------------|------|-----------|-----|-------|-------|-------|-----|-----|--------------|----------------------------------|-----------------------------------|----------------------------|
| AVAILABLE | WITHOUT P/N | Au 0.1um MIN OVER PdNi 0.2um MIN | - | - | 0.5 | 10.55 | - | - | 1.1 | 1.1 | WITHOUT BOSS | EMBOSS PACKING (SEE SHEET 2) | WITHOUT FLANGE TYPE (SEE SHEET 6) | 9-1747981-2 |
| AVAILABLE | WITH P/N | Au 0.1um MIN OVER PdNi 0.2um MIN | - | M3 x 0.5 | 1.0 | 10.55 | 12.75 | 10.08 | 2.2 | 1.8 | WITH BOSS | SOFT TRAY PACKING (SEE SHEET 4) | WITH FLANGE TYPE (SEE SHEET 7) | 9-1747981-1 |
| AVAILABLE | WITHOUT P/N | Au 0.1um MIN OVER PdNi 0.2um MIN | 14.3 | M3 x 0.5 | 0.5 | 10.05 | 10.95 | 7.98 | 2.2 | 1.8 | WITHOUT BOSS | EMBOSS PACKING (SEE SHEET 3) | WITH FLANGE TYPE (SEE SHEET 7) | 8-1747981-2 2-1747981-5 |
| AVAILABLE | WITHOUT P/N | Au 0.1um MIN OVER PdNi 0.2um MIN | - | M3 x 0.5 | 0.5 | 10.05 | 10.95 | 7.98 | 2.2 | 1.8 | WITHOUT BOSS | CLEAR TRAY PACKING (SEE SHEET 4) | WITH FLANGE TYPE (SEE SHEET 7) | 8-1747981-1 |
| AVAILABLE | WITHOUT P/N | Au 0.1um MIN OVER PdNi 0.2um MIN | - | M3 x 0.5 | 1.0 | 10.55 | 12.75 | 10.08 | 2.2 | 1.8 | WITH BOSS | SOFT TRAY PACKING (SEE SHEET 4) | WITH FLANGE TYPE (SEE SHEET 7) | 3-1747981-1 |
| NOT AVAILABLE | WITHOUT P/N | Au 0.1um MIN OVER PdNi 0.2um MIN | 16.3 | #4-40 UNC | 0.5 | 10.55 | 12.75 | 10.08 | 2.2 | 1.8 | WITH BOSS | EMBOSS PACKING (SEE SHEET 3) | WITH FLANGE TYPE (SEE SHEET 7) | 2-1747981-4 |
| AVAILABLE | WITHOUT P/N | Au 0.76um MIN | 16.3 | M3 x 0.5 | 1.0 | 10.55 | 12.75 | 10.08 | 2.2 | 1.8 | WITHOUT BOSS | EMBOSS PACKING (SEE SHEET 3) | WITH FLANGE TYPE (SEE SHEET 7) | 2-1747981-3 |
| NOT AVAILABLE | WITHOUT P/N | Au 0.1um MIN OVER PdNi 0.2um MIN | - | #4-40 UNC | 0.5 | 10.05 | 12.75 | 10.08 | 2.2 | 1.8 | WITHOUT BOSS | HARDTRAY PACKING (-) | WITH FLANGE TYPE (SEE SHEET 7) | 2-1747981-2 |
| AVAILABLE | WITHOUT P/N | Au 0.76um MIN | - | M3 x 0.5 | 1.0 | 10.55 | 12.75 | 10.08 | 2.2 | 1.8 | WITHOUT BOSS | SOFT TRAY PACKING (SEE SHEET 4) | WITH FLANGE TYPE (SEE SHEET 7) | 2-1747981-1 |
| AVAILABLE | WITHOUT P/N | Au 0.1um MIN OVER PdNi 0.2um MIN | - | M3 x 0.5 | 1.0 | 10.55 | 12.75 | 10.08 | 1.5 | 1.5 | WITHOUT BOSS | SOFT TRAY PACKING (SEE SHEET 4) | WITH FLANGE TYPE (SEE SHEET 7) | 1-1747981-8 |
| AVAILABLE | WITHOUT P/N | Au 0.1um MIN OVER PdNi 0.2um MIN | 16.3 | M3 x 0.5 | 1.0 | 10.55 | 12.75 | 10.08 | 2.2 | 1.8 | WITHOUT BOSS | EMBOSS PACKING (SEE SHEET 3) | WITH FLANGE TYPE (SEE SHEET 7) | 1-1747981-7 |
| AVAILABLE | WITHOUT P/N | Au 0.1um MIN OVER PdNi 0.2um MIN | - | M3 x 0.5 | 0.5 | 10.05 | 10.95 | 7.98 | 2.2 | 1.8 | WITHOUT BOSS | SOFT TRAY PACKING (SEE SHEET 5) | WITH FLANGE TYPE (SEE SHEET 7) | 1-1747981-6 |
| AVAILABLE | WITHOUT P/N | Au 0.1um MIN OVER PdNi 0.2um MIN | 14.3 | M3 x 0.5 | 0.5 | 10.05 | 10.95 | 7.98 | 1.5 | 1.5 | WITHOUT BOSS | EMBOSS PACKING (SEE SHEET 3) | WITH FLANGE TYPE (SEE SHEET 7) | 1-1747981-5 |
| AVAILABLE | WITHOUT P/N | Au 0.1um MIN OVER PdNi 0.2um MIN | - | M3 x 0.5 | 1.0 | 10.55 | 12.75 | 10.08 | 2.2 | 1.8 | WITHOUT BOSS | SOFT TRAY PACKING (SEE SHEET 4) | WITH FLANGE TYPE (SEE SHEET 7) | 1-1747981-4 |
| AVAILABLE | WITHOUT P/N | Au 0.1um MIN OVER PdNi 0.2um MIN | - | #4-40 UNC | 0.5 | 10.05 | 12.75 | 10.08 | 2.2 | 1.8 | WITHOUT BOSS | SOFT TRAY PACKING (SEE SHEET 4) | WITH FLANGE TYPE (SEE SHEET 7) | 1-1747981-3 |
| AVAILABLE | WITHOUT P/N | Au 0.1um MIN OVER PdNi 0.2um MIN | - | M3 x 0.5 | 0.5 | 10.05 | 10.95 | 7.98 | 1.5 | 1.5 | WITHOUT BOSS | SOFT TRAY PACKING (SEE SHEET 4) | WITH FLANGE TYPE (SEE SHEET 7) | 1-1747981-2 |
| AVAILABLE | WITHOUT P/N | Au 0.1um MIN OVER PdNi 0.2um MIN | - | M3 x 0.5 | 0.5 | 10.05 | 10.95 | 7.98 | 2.2 | 1.8 | WITHOUT BOSS | SOFT TRAY PACKING (SEE SHEET 4) | WITH FLANGE TYPE (SEE SHEET 7) | 1-1747981-1 |
| AVAILABLE | WITHOUT P/N | Au 0.1um MIN OVER PdNi 0.2um MIN | - | - | 0.5 | 10.05 | - | - | 1.5 | 1.5 | WITHOUT BOSS | EMBOSS PACKING (SEE SHEET 2) | WITHOUT FLANGE TYPE (SEE SHEET 6) | 1747981-2 |
| AVAILABLE | WITHOUT P/N | Au 0.1um MIN OVER PdNi 0.2um MIN | - | - | 0.5 | 10.05 | - | - | 2.2 | 1.8 | WITHOUT BOSS | EMBOSS PACKING (SEE SHEET 2) | WITHOUT FLANGE TYPE (SEE SHEET 6) | 1747981-1 |

| | | | | | | | | | | | | | | |
|-------------|---------------------|-----------------------------|-------|------------------|-------|-------|-------|-------|-------|-------|------|---------|----------------|-------------|
| TOOL STATUS | PART NUMBER MARKING | CONTACT AREA PLATING SPEC J | DIM H | SCREW SIZE DIM G | DIM F | DIM E | DIM D | DIM C | DIM B | DIM A | BOSS | PACKING | CONNECTOR TYPE | PART NUMBER |
|-------------|---------------------|-----------------------------|-------|------------------|-------|-------|-------|-------|-------|-------|------|---------|----------------|-------------|

1 CONTACT COPLANALITY IS 0.1 MAXIMUM.
 THIS DIMENSION MEANS CENTER OF THE POCKET.
 FINISH
 CONTACT: CONTACT AREA J: SEE TABLE
 2um MIN Sn PLATING ON SOLDERING AREA
 2um MIN Ni UNDER PLATING ALL OVER
 SHELL: 1um MIN Sn PLATING ALL OVER
 1um MIN Ni UNDER PLATING ALL OVER

REFER TO THE TABLE FOR BOSS.
 SCREW SIZE
 PART NUMBER MAKING

THIS DRAWING IS A CONTROLLED DOCUMENT.

| | | | |
|---|---|--|--|
| DIMENSIONS: 单位: 毫米 mm | TOLERANCES UNLESS OTHERWISE SPECIFIED: 一般公差 | DWN Y.HIRATA 15SEP2005 |  TE Connectivity |
|  | 0 PLC ± 0.2 | CHK T.KIMURA 15SEP2005 | |
| | 1 PLC ± 0.2 | APVD K.IKEGAMI 15SEP2005 | |
| | 2 PLC ± 0.2 | NAME 名称 | |
| 3 PLC ± 0.2 | PRODUCT SPEC 製品規格 | HDMI 19 POS RECEPTACLE ASSY SMT TYPE -LEAD FREE- | |
| 4 PLC ± 0.2 | APPLICATION SPEC 取付適用規格 | SIZE CAGE CODE DRAWING NO 番号 | |
| ANGLES ± | FINISH 仕上 | A3 00779 C-1747981 | |
| MATERIAL 材料 | WEIGHT | RESTRICTED TO | |
| CUSTOMER DRAWING | | SCALE 尺度 NTS SHEET 1 OF 8 REV F5 | |

THIS DRAWING IS UNPUBLISHED. RELEASED FOR PUBLICATION SEP ,2005.
 © COPYRIGHT 2005 By - ALL RIGHTS RESERVED.

| LOC | DIST | REVISIONS | | | | | |
|-----|------|-----------|-----|-------------|------|-----|------|
| J | / | P | LTR | DESCRIPTION | DATE | DWN | APVD |
| | | - | | SEE SHEET 1 | - | - | - |

NOTICE: THIS COMMUNICATION INCLUDES TE CONNECTIVITY CONFIDENTIAL OR PROPRIETARY INFORMATION THAT MAY ALSO BE LEGALLY PRIVILEGED.

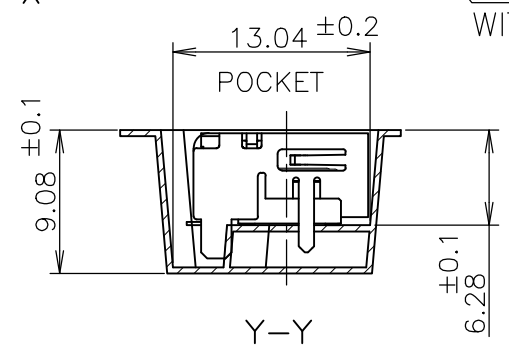


LABEL DESCRIPTION
 TE CONNECTIVITY P/N.: 1747981-*
 QTY: 300 pcs
 D/C:
 MADE IN CHINA



DETAIL X

CONNECTOR WITHOUT FLANGE TYPE



Y-Y

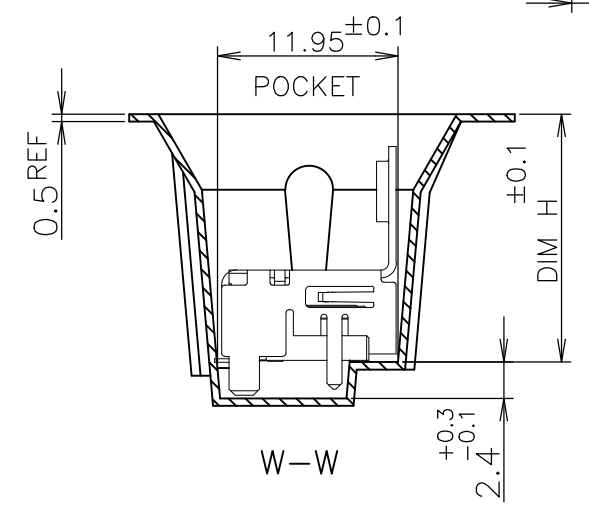
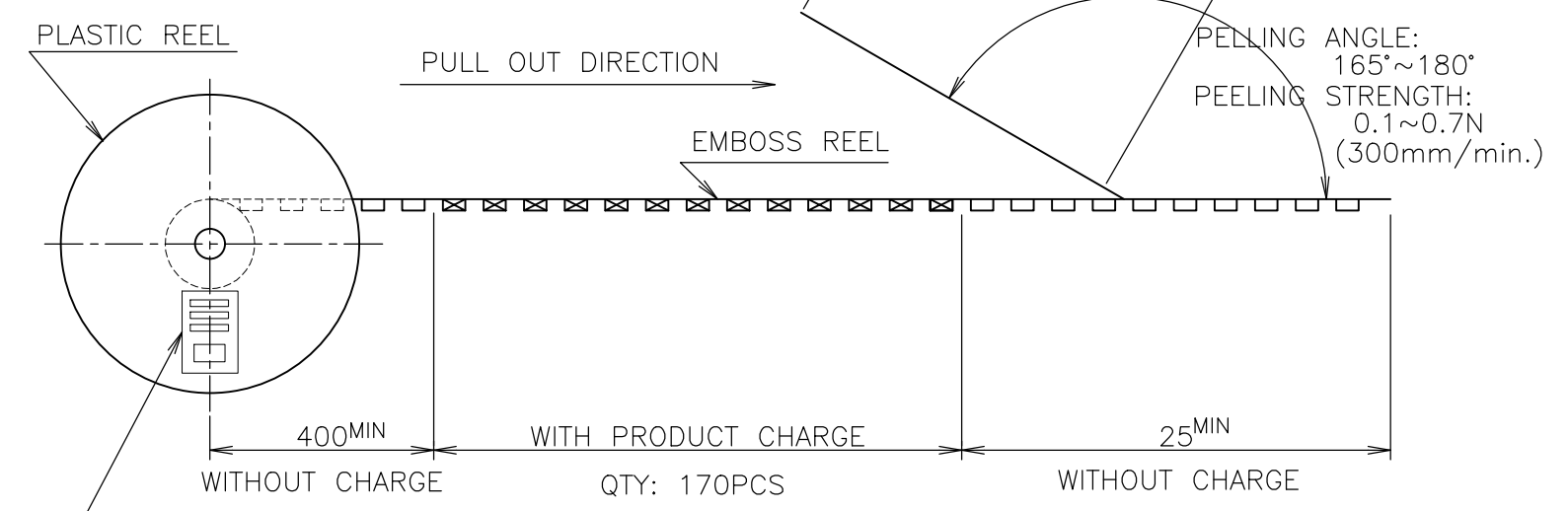
| 300 | WITHOUT FLANGE TYPE | 9-1747981-2 |
|-----|---------------------|-------------|
| 300 | WITHOUT FLANGE TYPE | 1747981-2 |
| 300 | WITHOUT FLANGE TYPE | 1747981-1 |
| QTY | CONNECTOR TYPE | PART NUMBER |

| | | | | | |
|---|--|-------------------------------------|--|--|--|
| THIS DRAWING IS A CONTROLLED DOCUMENT. | | DWN | | TE Connectivity | |
| DIMENSIONS: 单位: 毫米 mm | | CHK | | | |
| TOLERANCES UNLESS OTHERWISE SPECIFIED: 一般公差 | | APVD | | | |
| 0 PLC ± 0.2 1 PLC ± 0.2 2 PLC ± 0.2 3 PLC ± 0.2 4 PLC ± 0.2 ANGLES ± - | | PRODUCT SPEC 製品規格 108-78180-1 | | NAME 名称 HDMI 19 POS RECEPTACLE ASSY SMT TYPE -LEAD FREE- | |
| MATERIAL 材料 | | FINISH 仕上 | | APPLICATION SPEC 取付適用規格 SIZE CAGE CODE DRAWING NO 番号 A3 00779 C-1747981 | |
| | | WEIGHT | | RESTRICTED TO | |
| CUSTOMER DRAWING | | | | SCALE 尺度 NTS | |
| | | | | SHEET 2 OF 8 | |
| | | | | REV F5 | |

THIS DRAWING IS UNPUBLISHED. RELEASED FOR PUBLICATION SEP , 2005.
 © COPYRIGHT 2005 By - ALL RIGHTS RESERVED.

| LOC | DIST | REVISIONS | | |
|-----|------|-----------|------|-------------|
| J | / | P | LTR | DESCRIPTION |
| | | - | | SEE SHEET 1 |
| | | | DATE | DWN |
| | | | - | - |
| | | | APVD | - |

NOTICE: THIS COMMUNICATION INCLUDES TE CONNECTIVITY CONFIDENTIAL OR PROPRIETARY INFORMATION THAT MAY ALSO BE LEGALLY PRIVILEGED.



THIS DRAWING IS A CONTROLLED DOCUMENT.

| | | | | | | |
|----------------------------|---|----------------------------|--|-----------|------------------|---------------|
| DIMENSIONS: 單位: 耗 mm | TOLERANCES UNLESS OTHERWISE SPECIFIED: 一般公差 | DWN | STE TE Connectivity | | | |
| 0 PLC ± 0.2 | 1 PLC ± 0.2 | CHK | | | | |
| 2 PLC ± 0.2 | 3 PLC ± 0.2 | APVD | NAME 名稱 | | | |
| 4 PLC ± 0.2 | ANGLES ± | PRODUCT SPEC 製品規格 | HDMI 19 POS RECEPTACLE ASSY SMT TYPE -LEAD FREE- | | | |
| MATERIAL 材料 | FINISH 仕上 | APPLICATION SPEC 取付適用規格 | SIZE | CAGE CODE | DRAWING NO 番号 | RESTRICTED TO |
| | | WEIGHT | A3 | 00779 | G-1747981 | - |
| CUSTOMER DRAWING | | | SCALE 尺度 | SHEET | REV | |
| | | | NTS | 3 OF 8 | F5 | |

THIS DRAWING IS UNPUBLISHED. RELEASED FOR PUBLICATION SEP , 2005.
 © COPYRIGHT 2005 By - ALL RIGHTS RESERVED.

| LOC | DIST | REVISIONS | | | | | |
|-----|------|-----------|-----|-------------|------|-----|------|
| J | / | P | LTR | DESCRIPTION | DATE | DWN | APVD |
| | | - | | SEE SHEET 1 | - | - | - |



| 70 | WITH FLANGE TYPE | 9-1747981-1 |
|-----|------------------|-------------|
| 70 | WITH FLANGE TYPE | 8-1747981-1 |
| 70 | WITH FLANGE TYPE | 3-1747981-1 |
| 70 | WITH FLANGE TYPE | 2-1747981-1 |
| 70 | WITH FLANGE TYPE | 1-1747981-8 |
| 70 | WITH FLANGE TYPE | 1-1747981-4 |
| 70 | WITH FLANGE TYPE | 1-1747981-3 |
| 70 | WITH FLANGE TYPE | 1-1747981-2 |
| 70 | WITH FLANGE TYPE | 1-1747981-1 |
| QTY | CONNECTOR TYPE | PART NUMBER |

NOTICE: THIS COMMUNICATION INCLUDES TE CONNECTIVITY CONFIDENTIAL OR PROPRIETARY INFORMATION THAT MAY ALSO BE LEGALLY PRIVILEGED.

| | | | | | |
|---|--|-------------------------|--|------------------------------|--|
| THIS DRAWING IS A CONTROLLED DOCUMENT. | | DWN | | STE TE Connectivity | |
| DIMENSIONS: 单位: 耗 mm | | CHK | | | |
| TOLERANCES UNLESS OTHERWISE SPECIFIED: 一般公差 | | APVD | | NAME 名称 | |
| 0 PLC ± 0.2 | | PRODUCT SPEC 製品規格 | | HDMI 19 POS | |
| 1 PLC ± 0.2 | | APPLICATION SPEC 取付適用規格 | | RECEPTACLE ASSY SMT TYPE | |
| 2 PLC ± 0.2 ± 0.3 | | WEIGHT | | -LEAD FREE- | |
| 3 PLC ± 0.2 | | CUSTOMER DRAWING | | SIZE CAGE CODE DRAWING NO 番号 | |
| 4 PLC ± 0.2 | | SCALE 尺度 NTS | | A3 00779 C-1747981 | |
| ANGLES ± - | | SHEET 4 OF 8 | | RESTRICTED TO | |
| FINISH 仕上 | | REV F5 | | | |

THIS DRAWING IS UNPUBLISHED. RELEASED FOR PUBLICATION SEP , 2005.
 © COPYRIGHT 2005 By - ALL RIGHTS RESERVED.

| LOC | DIST | REVISIONS | | | | | |
|-----|------|-----------|-----|-------------|------|-----|------|
| J | / | P | LTR | DESCRIPTION | DATE | DWN | APVD |
| | | - | | SEE SHEET 1 | - | - | - |



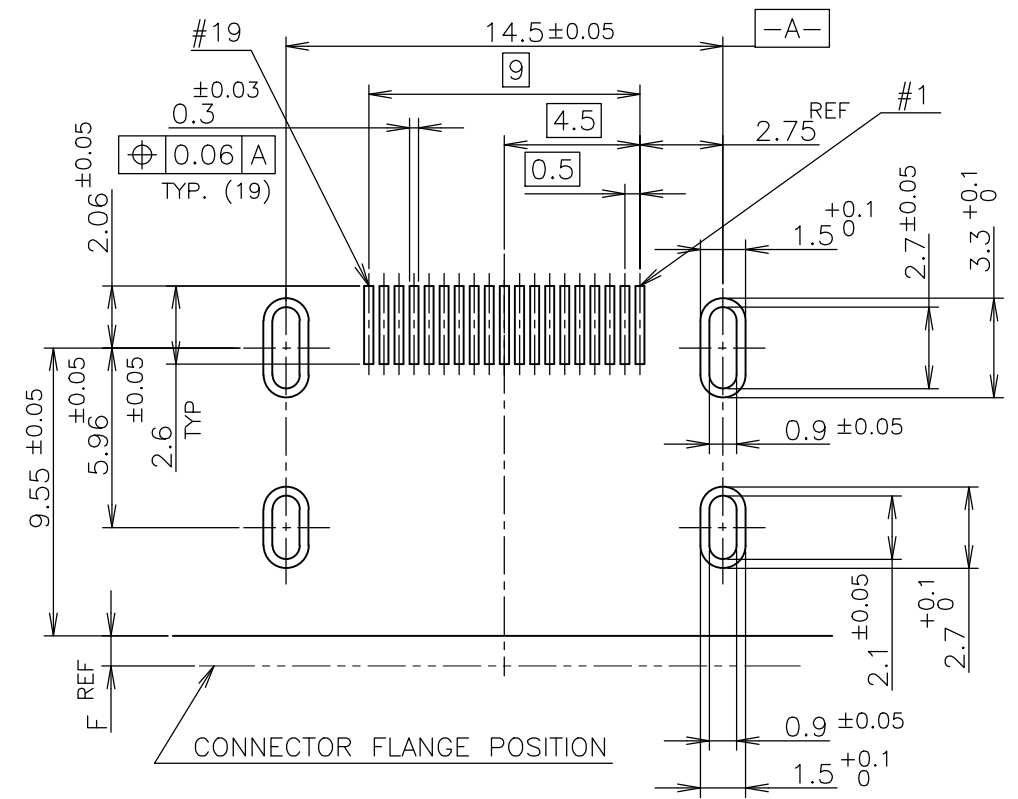
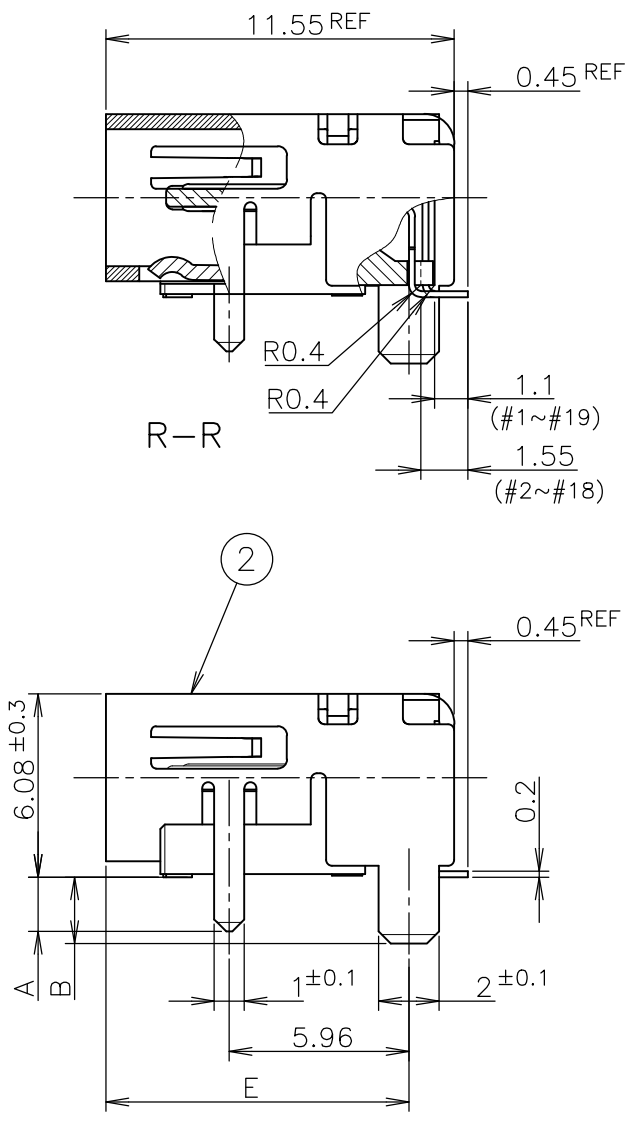
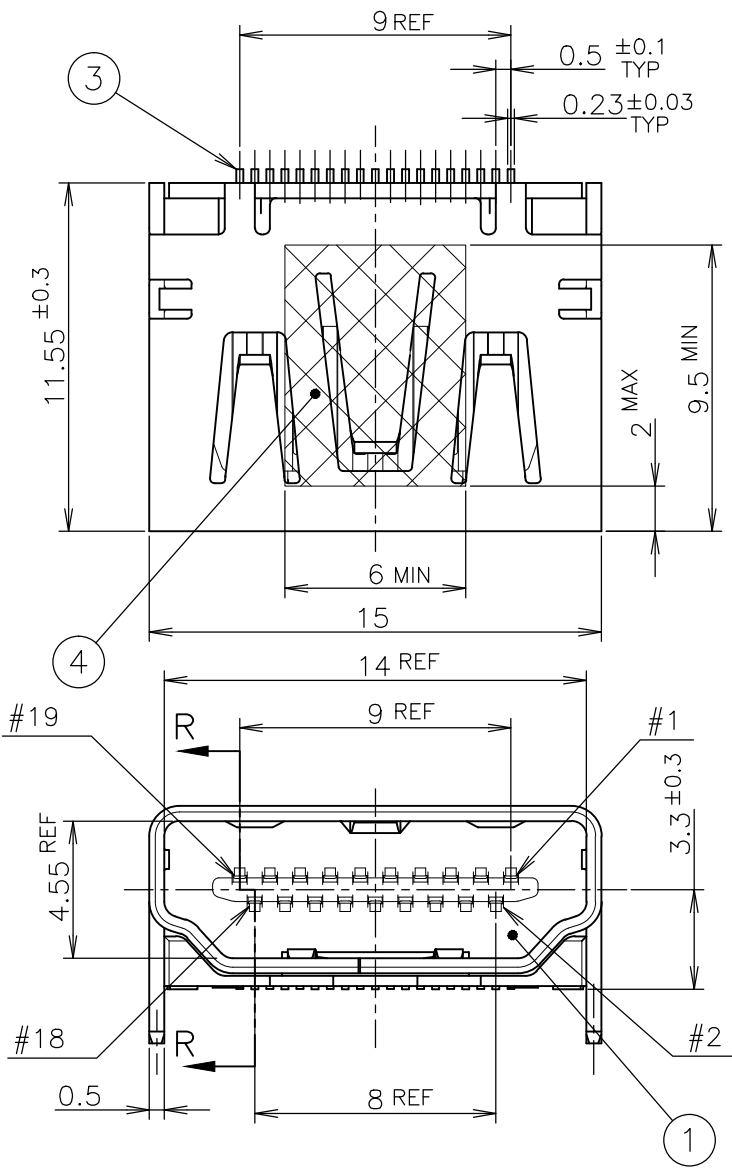
NOTICE: THIS COMMUNICATION INCLUDES TE CONNECTIVITY CONFIDENTIAL OR PROPRIETARY INFORMATION THAT MAY ALSO BE LEGALLY PRIVILEGED.

THIS DRAWING IS A CONTROLLED DOCUMENT.

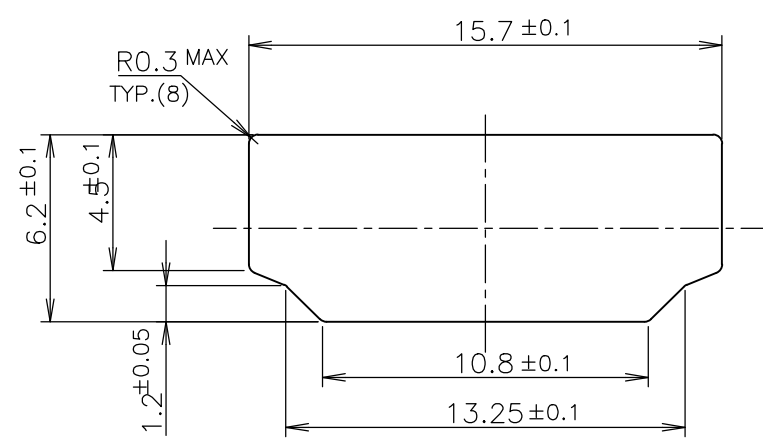
| | |
|----------------------------|---|
| DIMENSIONS: 単位: 耗 mm | TOLERANCES UNLESS OTHERWISE SPECIFIED: 一般公差 |
| | 0 PLC ±0.2 1 PLC ±0.2 2 PLC ±0.2 3 PLC ±0.2 4 PLC ±0.2 ANGLES ±- |
| MATERIAL 材料 | FINISH 仕上 |

| | | |
|----------------------------|--------------------------|---------------|
| 40 | WITH FLANGE TYPE | 1-1747981-6 |
| QTY | CONNECTOR TYPE | PART NUMBER |
| DWN | TE Connectivity | |
| CHK | | |
| APVD | NAME 名称 | |
| PRODUCT SPEC 製品規格 | HDMI 19 POS | |
| APPLICATION SPEC 取付適用規格 | RECEPTACLE ASSY SMT TYPE | |
| WEIGHT | SIZE | RESTRICTED TO |
| CUSTOMER DRAWING | A3 00779 | - |
| SCALE 尺度 | DRAWING NO 番号 | REV |
| NTS | C-1747981 | F5 |
| SHEET | 5 OF 8 | |

| LOC | DIST | REVISIONS | | | DATE | DWN | APVD |
|-----|------|-----------|-----|-------------|------|-----|------|
| | | P | LTR | DESCRIPTION | | | |
| J | | - | - | SEE SHEET 1 | - | - | - |



P.C.B LAYOUT
SHOWN AS CONNECTOR MOUNTING SIDE
TOLERANCE: NON-CUMULATIVE
(REFERENCE)



PANEL CUT OUT DIMENSION
(REFERENCE)

CONNECTOR WITHOUT FLANGE TYPE

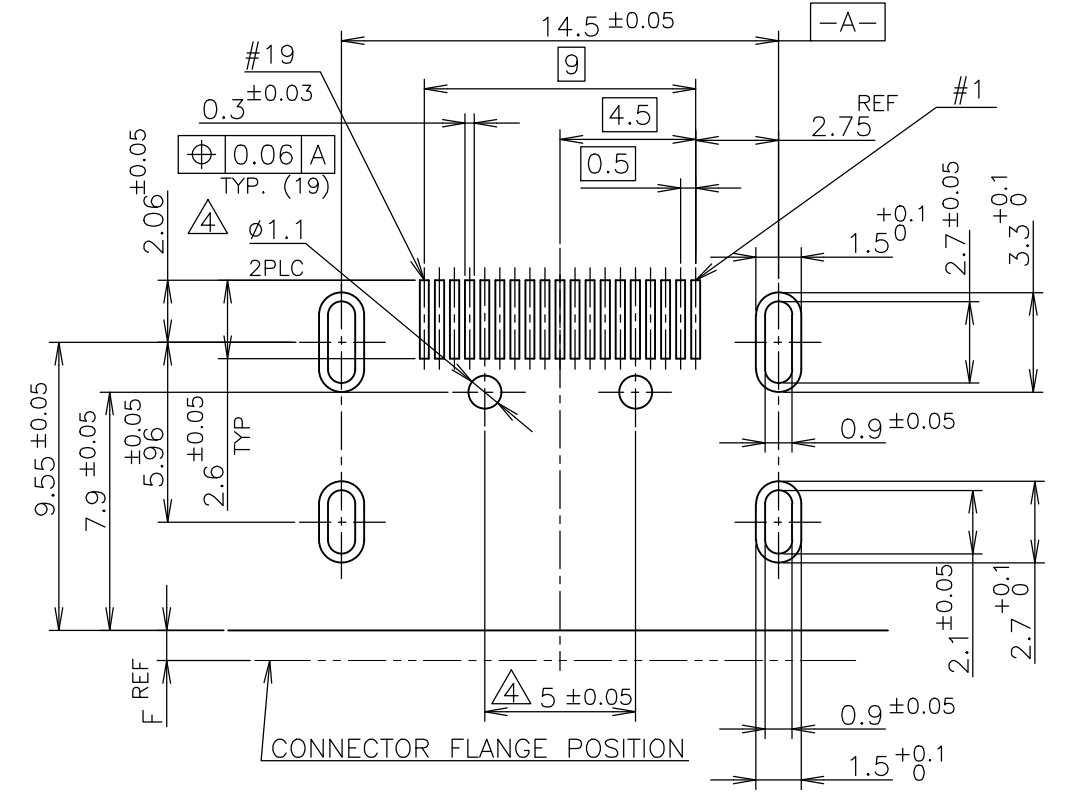
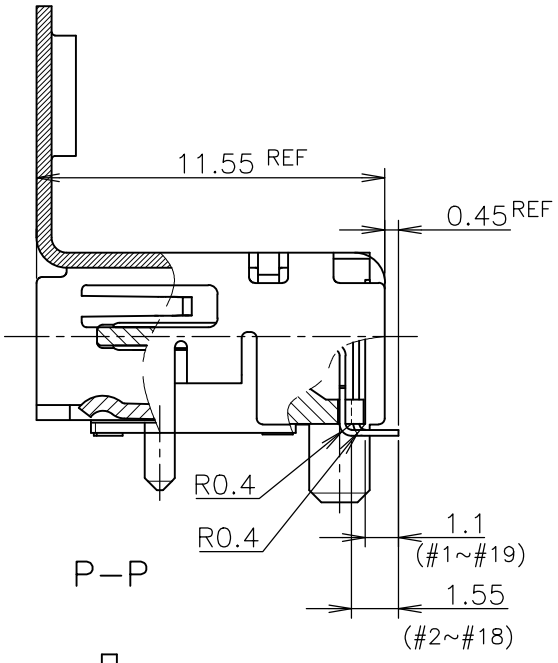
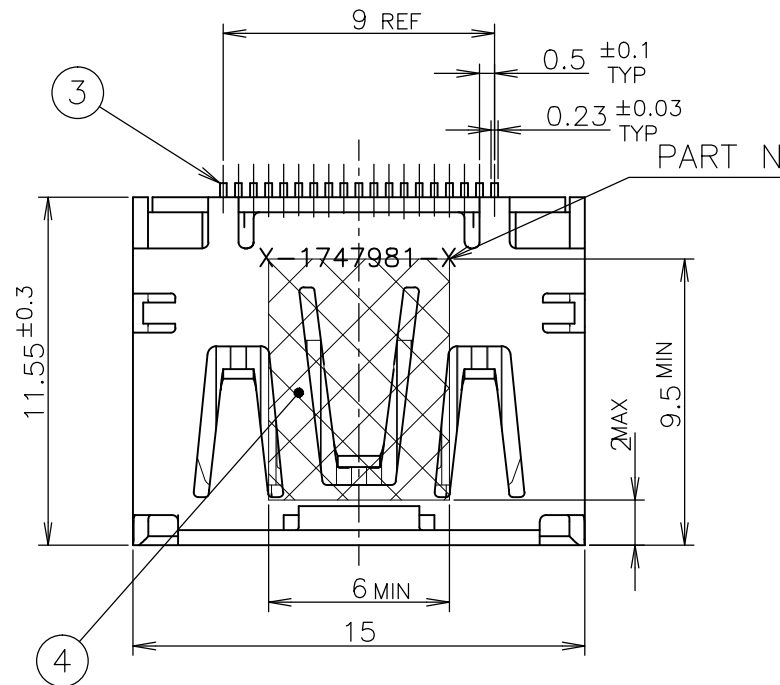
NOTICE: THIS COMMUNICATION INCLUDES TE CONNECTIVITY CONFIDENTIAL OR PROPRIETARY INFORMATION THAT MAY ALSO BE LEGALLY PRIVILEGED.

| FINISH | MATERIAL | QTY | DISCRIPTION | ITEM |
|--------|------------------------------------|-----|----------------|------|
| | POLYIMIDE | 1 | POLYIMIDE TAPE | ④ |
| | COPPER ALLOY | 19 | CONTACT | ③ |
| | COPPER ALLOY | 1 | SHELL | ② |
| | THERMOPLASTIC UL94V-0, BLACK COLOR | 1 | HOUSING | ① |

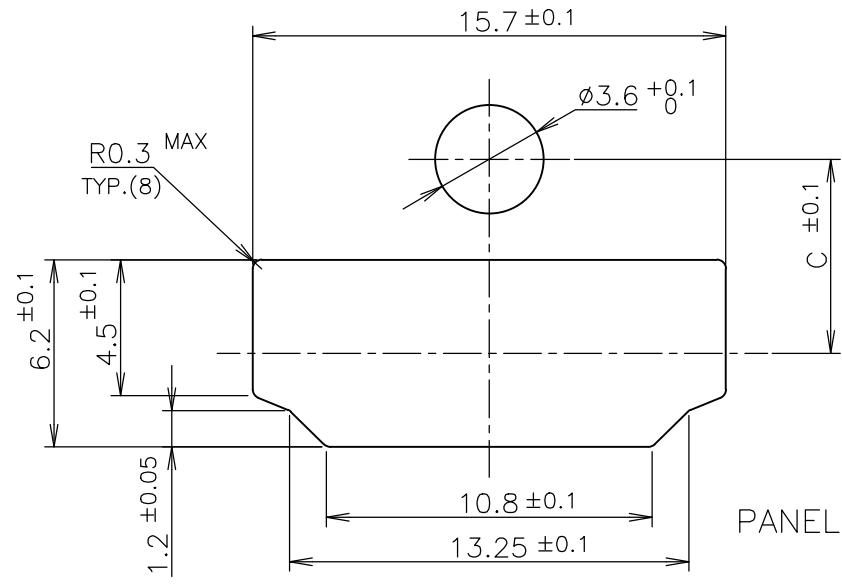
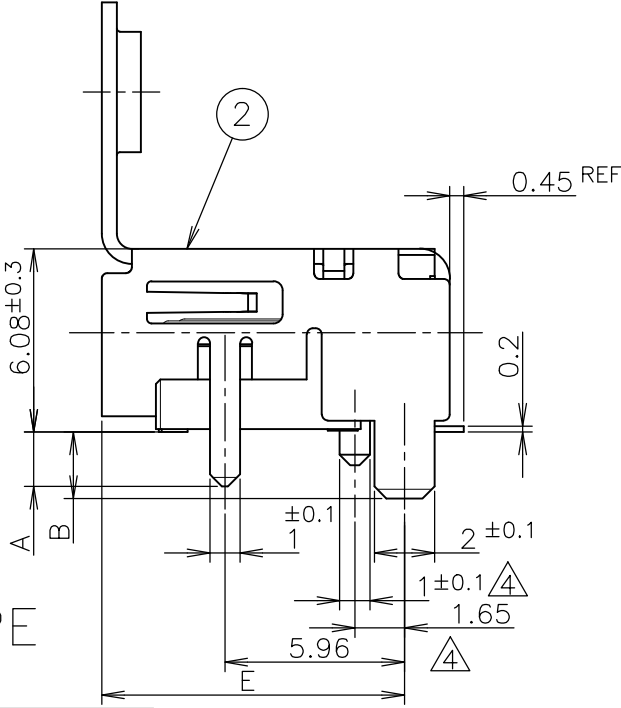
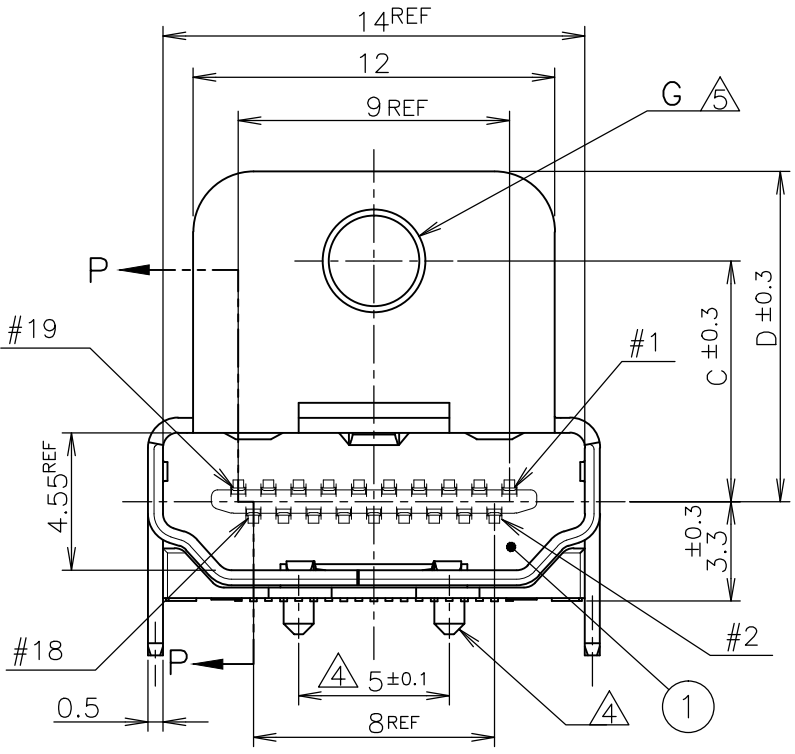
| | | | | | |
|---|--|-------------------------------------|--|--|---------------|
| THIS DRAWING IS A CONTROLLED DOCUMENT. | | DWN | | TE Connectivity | |
| DIMENSIONS: 單位: 耗 mm | | CHK | | | |
| TOLERANCES UNLESS OTHERWISE SPECIFIED: 一般公差 | | APVD | | NAME 名称 | |
| 0 PLC ± 0.2 1 PLC ± 0.2 2 PLC ± 0.2 3 PLC ± 0.2 4 PLC ± 0.2 ANGLES ± - | | PRODUCT SPEC 製品規格 108-78180-1 | | HDMI 19 POS RECEPTACLE ASSY SMT TYPE -LEAD FREE- | |
| MATERIAL 材料 | | WEIGHT | | SIZE | RESTRICTED TO |
| FINISH 仕上 | | CUSTOMER DRAWING | | CAGE CODE | REV |
| | | | | DRAWING NO 番号 | SCALE 尺度 |
| | | | | A300779 | 4:1 |
| | | | | G-1747981 | SHEET 6 of 8 |
| | | | | | F5 |

THIS DRAWING IS UNPUBLISHED. RELEASED FOR PUBLICATION SEP. 2005.
 ALL RIGHTS RESERVED.

| LOC | DIST | P | LTR | REVISIONS 変更 | DATE | DWN | APVD |
|-----|------|---|-----|-----------------|------|-----|------|
| J | | | | DESCRIPTION | | | |
| | | | | SEE SHEET 1 | | | |



P.C.B LAYOUT
 SHOWN AS CONNECTOR MOUNTING SIDE
 TOLERANCE: NON-CUMULATIVE
 (REFERENCE)



PANEL CUT OUT DIMENSION
 (REFERENCE)

CONNECTOR WITH FLANGE TYPE

NOTICE: THIS COMMUNICATION INCLUDES TE CONNECTIVITY CONFIDENTIAL OR PROPRIETARY INFORMATION THAT MAY ALSO BE LEGALLY PRIVILEGED.

| FINISH | MATERIAL | QTY | DISCRIPTION | ITEM |
|--------|------------------------------------|-----|----------------|------|
| | POLYIMIDE | 1 | POLYIMIDE TAPE | ④ |
| | COPPER ALLOY | 19 | CONTACT | ③ |
| | COPPER ALLOY | 1 | SHELL | ② |
| | THERMOPLASTIC UL94V-0, BLACK COLOR | 1 | HOUSING | ① |

| | | | | |
|---|--|------------------|----------------------------|---------------|
| THIS DRAWING IS A CONTROLLED DOCUMENT. | | DWN | STE TE Connectivity | |
| DIMENSIONS: 単位: 耗 mm | | CHK | | |
| TOLERANCES UNLESS OTHERWISE SPECIFIED: 一般公差 | | APVD | NAME 名称 | |
| 0 PLC ± 0.2 | | PRODUCT SPEC | HDMI 19 POS | |
| 1 PLC ± 0.2 | | 製品規格 | RECEPTACLE ASSY SMT TYPE | |
| 2 PLC ± 0.2 | | APPLICATION SPEC | -LEAD FREE- | |
| 3 PLC ± 0.2 | | 取付適用規格 | SIZE | CAGE CODE |
| 4 PLC ± 0.2 | | WEIGHT | DRAWING NO | RESTRICTED TO |
| ANGLES ± | | CUSTOMER DRAWING | 番号 | |
| FINISH 仕上 | | SCALE 尺度 | A3 00779 | G-1747981 |
| | | SHEET | 7 of 8 | REV |
| | | | | F5 |

4

3

2

1

THIS DRAWING IS UNPUBLISHED.

RELEASED FOR PUBLICATION SEP , 2005.

© COPYRIGHT 2005 By -

ALL RIGHTS RESERVED.

LOC
J

DIST
/

REVISIONS
変更

P LTR

DESCRIPTION

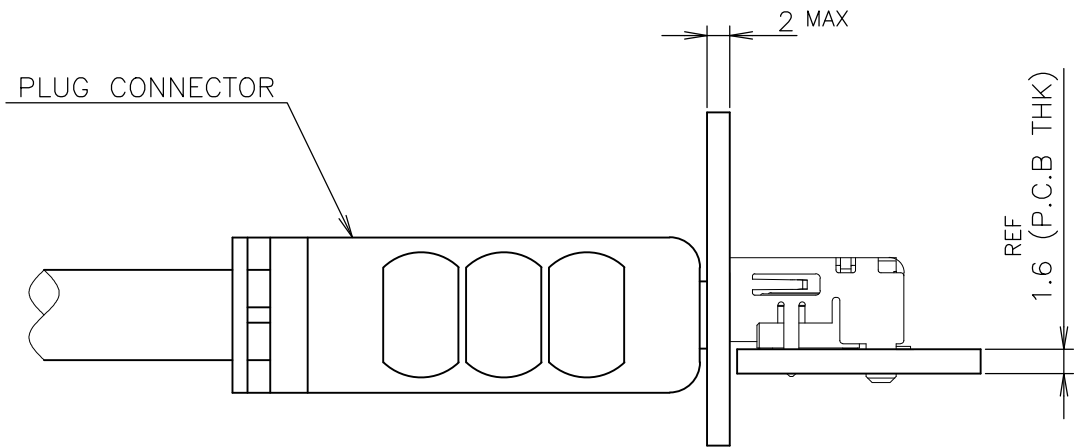
DATE

DWN

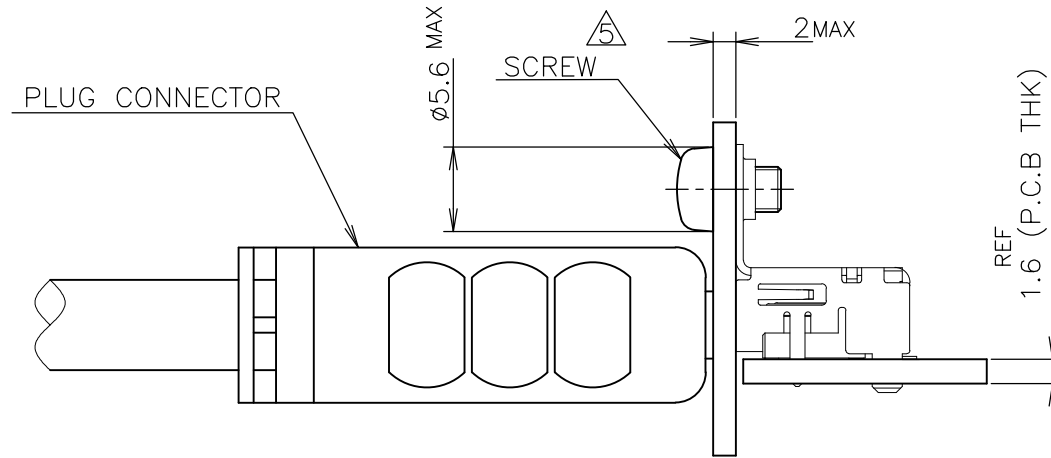
APVD

SEE SHEET 1

NOTICE: THIS COMMUNICATION INCLUDES TE CONNECTIVITY CONFIDENTIAL OR PROPRIETARY INFORMATION THAT MAY ALSO BE LEGALLY PRIVILEGED.



CONNECTOR WITHOUT FLANGE TYPE



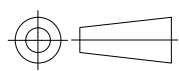
CONNECTOR WITH FLANGE TYPE

MATING CONDITION (REFERENCE)
(SCALE 2:1)

THIS DRAWING IS A CONTROLLED DOCUMENT.

DIMENSIONS:
単位: 耗
mm

TOLERANCES UNLESS OTHERWISE SPECIFIED:
一般公差



- 0 PLC ± 0.2
- 1 PLC ± 0.2
- 2 PLC ± 0.2
- 3 PLC ± 0.2
- 4 PLC ± 0.2
- ANGLES ± -

MATERIAL
材料

FINISH
仕上

DWN

CHK

APVD

PRODUCT SPEC

製品規格

APPLICATION SPEC

取付適用規格

WEIGHT

CUSTOMER DRAWING

STE TE Connectivity

NAME
名称

HDMI 19 POS
RECEPTACLE ASSY SMT TYPE
-LEAD FREE-

SIZE

CAGE CODE

DRAWING NO
番号

RESTRICTED TO

A300779

C-1747981

SCALE
尺度 2:1

SHEET
8 of 8

REV
F5

Mouser Electronics

Authorized Distributor

Click to View Pricing, Inventory, Delivery & Lifecycle Information:

[TE Connectivity:](#)

[1747981-2](#)