

THIS DRAWING IS UNPUBLISHED.
 VERTRÄGLICHE UNVERÖFFENTLICHTE ZEICHNUNG
 © COPYRIGHT 2014 Tyco Electronics AMP GmbH
 RELEASED FOR PUBLICATION
 FREI FÜR VERÖFFENTLICHUNG
 2014
 ALL RIGHTS RESERVED.
 ALLE RECHTE VORBEHALTEN.
 DATED WITH
 PASSEND ZU

PROJECT NO.:
 PRJ-14-00000805

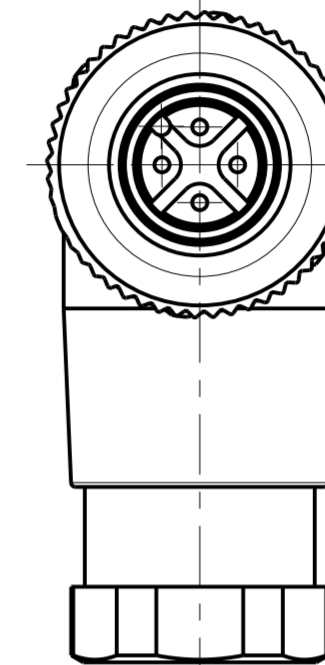
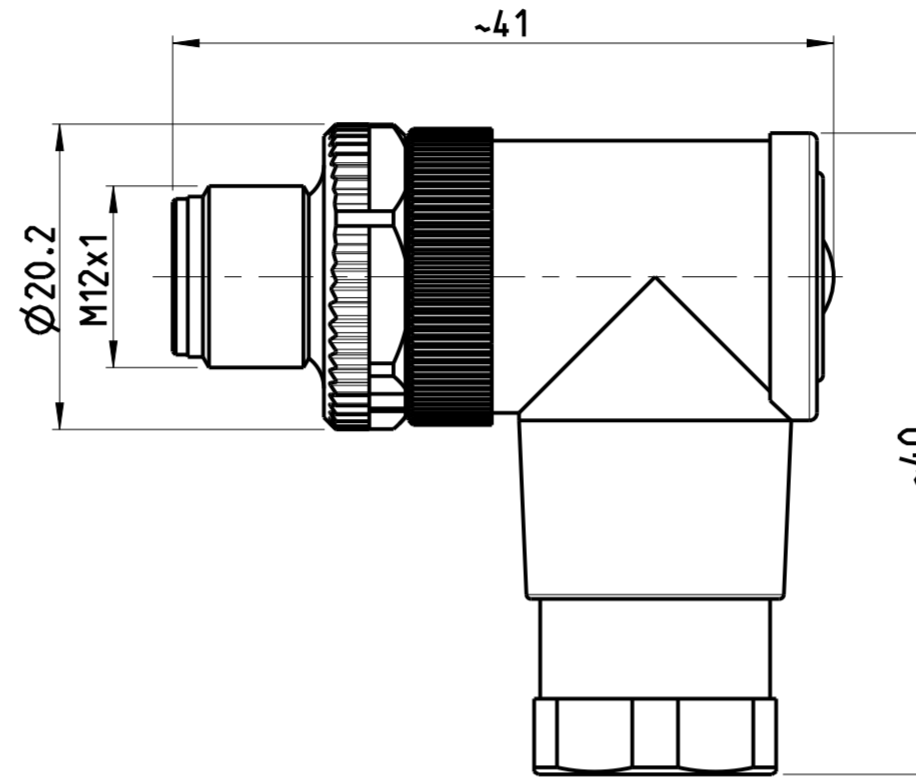
REVISIONS				
P	LTR	DESCRIPTION	DATE	APVD
A2		DESCRIPTION CORRECTED FROM SOLDER TO SCREW TERMINAL IN TITLE BLOCK	13NOV2014	CR JK

1 MATERIAL: ITEM NO. 1: HOUSING - PA/ZINC DIECASTING, NICKEL PLATED. PA
 ITEM NO. 2: CONTACT BODY - PA
 ITEM NO. 3: CONTACT - CuZn (brass)
 CONTACT FINISH - CuSnZn (Optalloy)

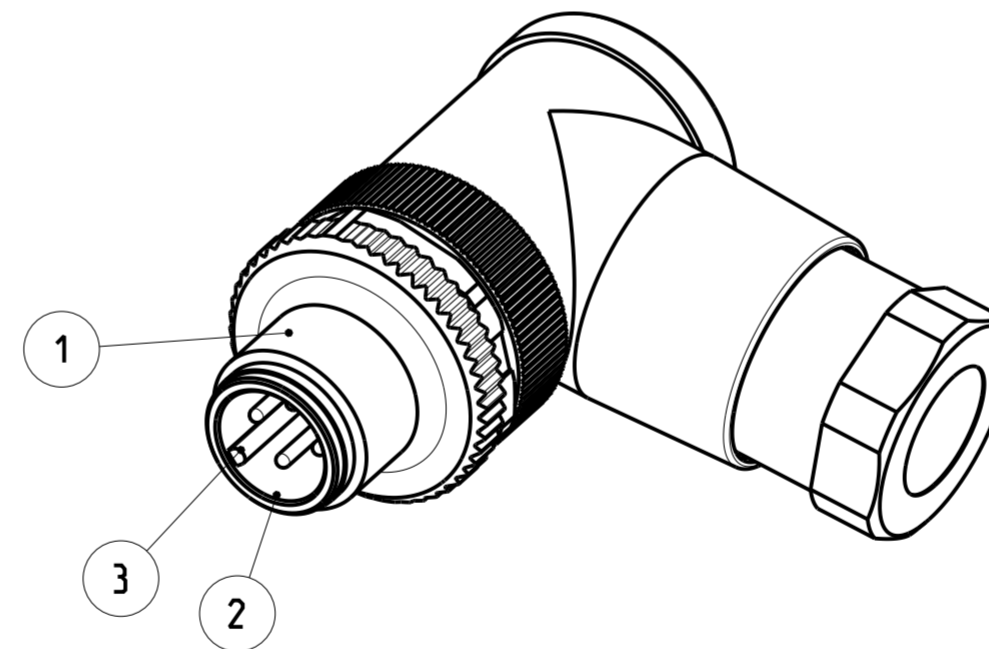
2 ALL DIMENSIONS ARE FOR NOMINAL REFERENCE ONLY UNLESS OTHERWISE STATED

3 MEASUREMENT REFERENCE ONLY

4 PACKAGING: 1 PIECE IN A BAG



TECHNICAL DATA	3-2271124-1	3-2271124-2	4-2271124-1	4-2271124-2
RATED VOLTAGE	250V	250V	125V	125V
RATED IMPULSE VOLTAGE	2500V	2500V	1500V	1500V
POLLUTION DEGREE	3	3	3	3
OVERVOLTAGE CATEGORY	II	II	II	II
MATERIAL GROUP	II	II	II	II
RATED CURRENT	4A	4A	4A	4A
VOLUME RESISTIVITY	≤ 8mΩ	≤ 8mΩ	≤ 8mΩ	≤ 8mΩ
DEGREE OF PROTECTION	IP67	IP67	IP67	IP67
UPPER TEMPERATURE	+85 °C	+85 °C	+85 °C	+85 °C
LOWER TEMPERATURE	-40 °C	-40 °C	-40 °C	-40 °C



3-2 AS SHOWN
 WIE GEZEICHNET

PIN ARRANGEMENT
 B-CODING (SCALE 2:1)

3-2271124-1	3-2271124-2	4-2271124-1	4-2271124-2

CABLE FEED-THROUGH	WIRES	MATERIAL	NUMBER OF POLES	TE-PART-NO.
6-8	18 / 0.75mm ²	△	5	4-2271124-2
4-6	18 / 0.75mm ²	△	5	4-2271124-1
6-8	18 / 0.75mm ²	△	4	3-2271124-2
4-6	18 / 0.75mm ²	△	4	3-2271124-1

DIESE ZEICHNUNG IST EIN KONTROLLIERTES DOKUMENT.
 BEMASSUNGEN UND TOLERANZEN GEMAESS GPS (ISO STANDARDS).
 THIS DRAWING IS A CONTROLLED DOCUMENT.
 DIMENSIONING AND TOLERANCING PER GPS (ISO STANDARDS).
 DIMENSIONS: MASSSTAB: 1:1
 TOLERANCES UNLESS OTHERWISE SPECIFIED: ALLGEMEINTOLERANZEN
 0 PLC ±
 1 PLC ±
 2 PLC ±
 3 PLC ±
 4 PLC ±
 ANGLES/WINKEL ±
 FINISH/OBERFLAECHE/FARBE -
 MATERIAL -
 DWN YASHKUMAR 15MAY2014
 CHK M.STRELOW 15MAY2014
 APVD C.SCHREITLINGER 15MAY2014
 NAME M12 MALE 90 DEG ANGLED FIELD INSTALLABLE, UNSHIELDED CONNECTOR, SCREW TERMINALS, B-CODING
 PRODUCT SPEC 108-19483
 APPLICATION SPEC 114-32127
 WEIGHT -
 Customer Drawing

STE TE Connectivity
 NAME M12 MALE 90 DEG ANGLED FIELD INSTALLABLE, UNSHIELDED CONNECTOR, SCREW TERMINALS, B-CODING
 SIZE A2
 CAGE CODE 00779
 DRAWING NO. C-2271124
 RESTRICTED TO MUR FÜR -
 SCALE MASSSTAB 2:1
 SHEET BLATT 1 OF 1
 REV A2

SIZE ISO 14405 (E)

Mouser Electronics

Authorized Distributor

Click to View Pricing, Inventory, Delivery & Lifecycle Information:

[TE Connectivity:](#)

[4-2271124-1](#)