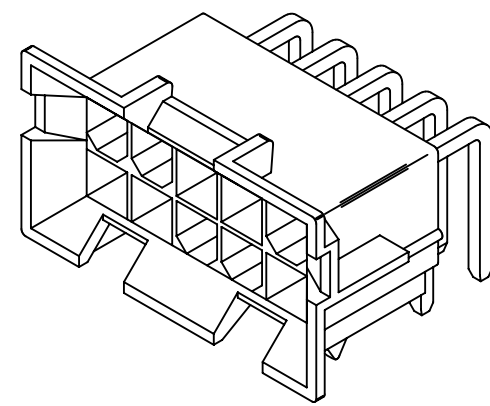
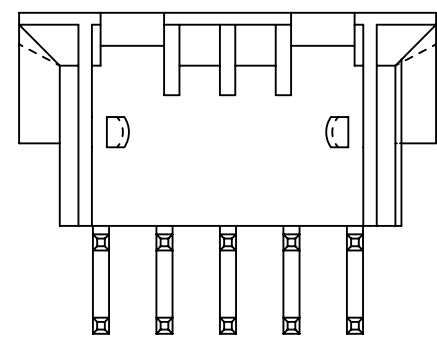
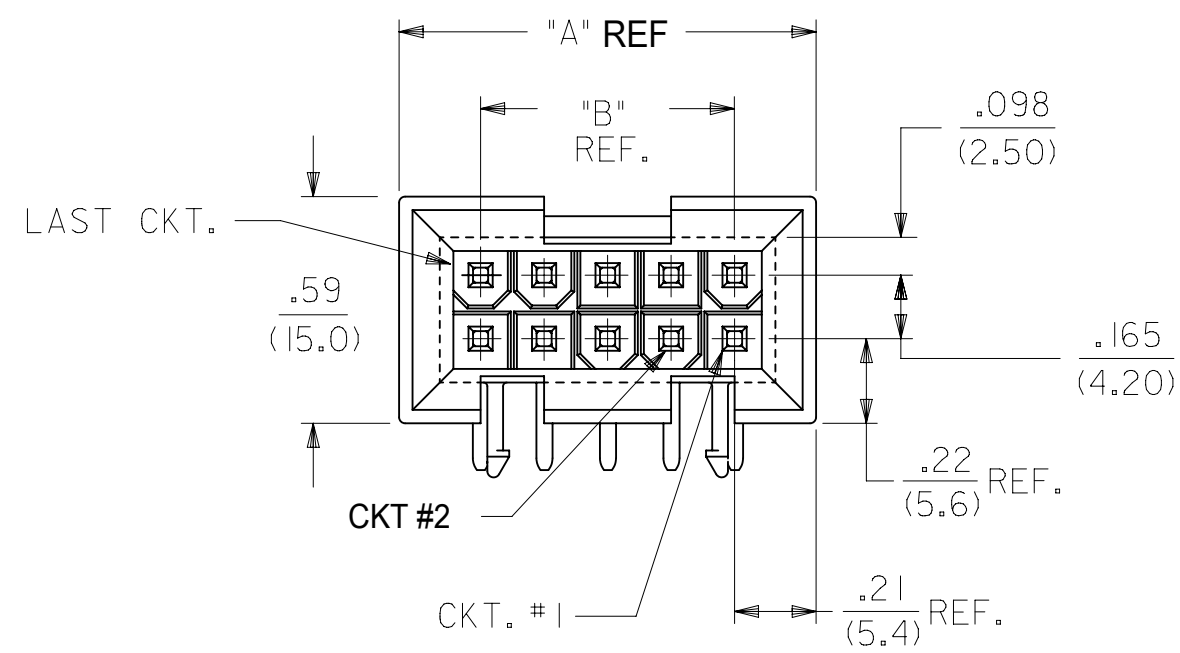
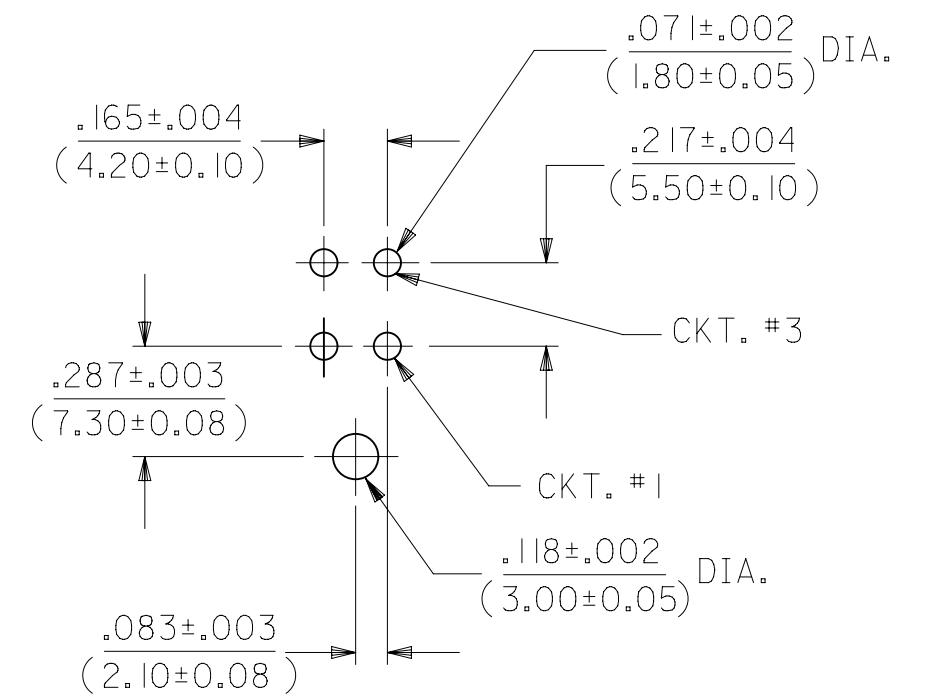
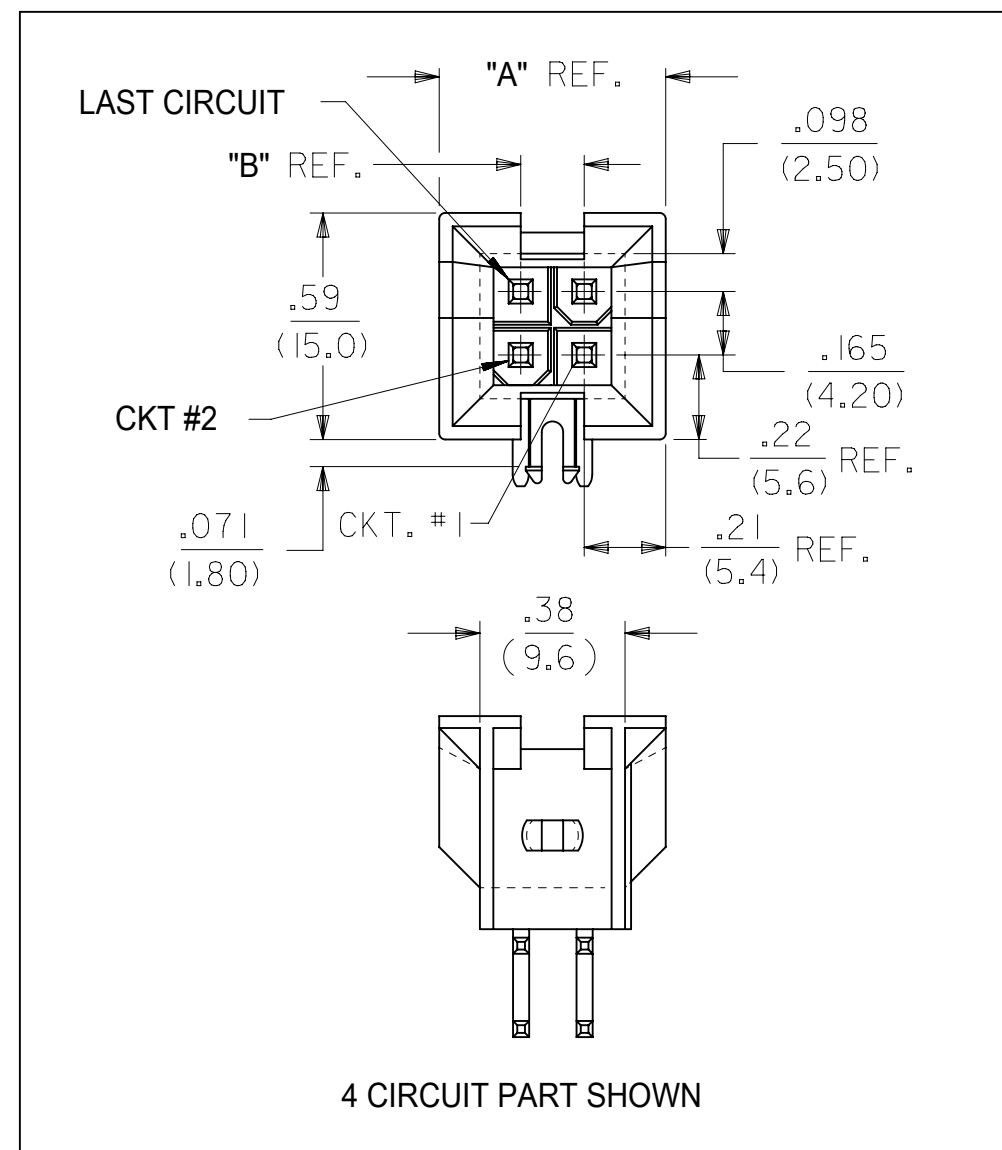
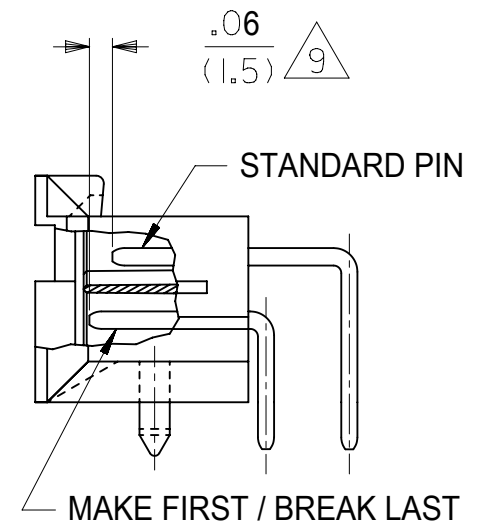
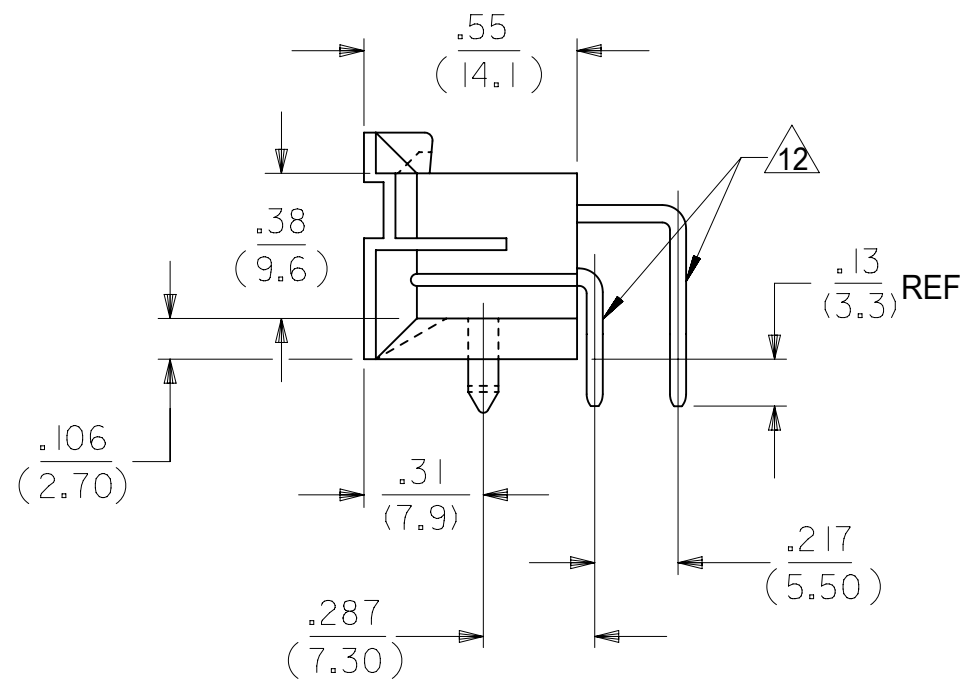


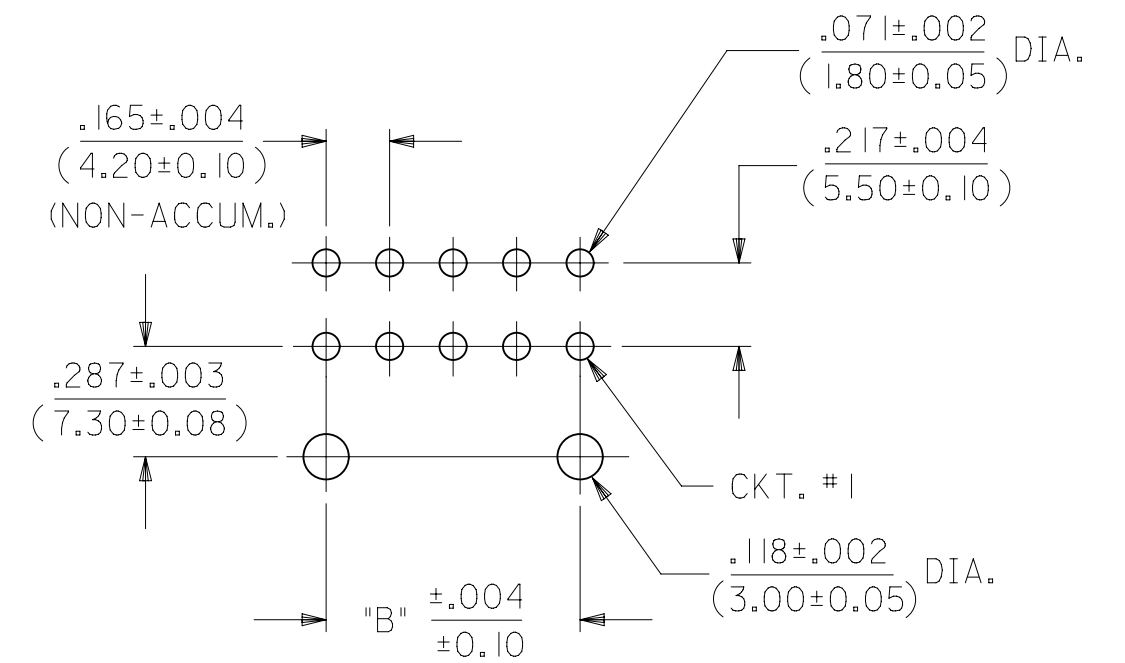
| CIRCUIT SIZE | DIM. "A" | DIM. "B" |
|--------------|----------------|------------------|
| 2 | — | — |
| 4 | .59 (15.0) | .165 (4.20) |
| 6 | .76 (19.2) | .331 (8.40) |
| 8 | .92 (23.4) | .496 (12.60) |
| 10 | 1.09 (27.6) | .661 (16.80) |
| 12 | 1.25 (31.8) | .827 (21.00) |
| 14 | 1.42 (36.0) | .992 (25.20) |
| 16 | 1.58 (40.2) | 1.157 (29.40) |
| 18 | 1.75 (44.4) | 1.323 (33.60) |
| 20 | 1.91 (48.6) | 1.488 (37.80) |
| 22 | 2.08 (52.8) | 1.654 (42.00) |
| 24 | 2.24 (57.0) | 1.819 (46.20) |



A-44499-*



4 CIRCUIT PCB LAYOUT
RECOMMENDED HOLE LAYOUT FOR
.070/(1.78) MAX. THICK P.C. BOARD
VIEWED FROM COMPONENT SIDE



RECOMMENDED HOLE LAYOUT FOR
.070/(1.78) MAX. THICK P.C. BOARD
VIEWED FROM COMPONENT SIDE

NOTES:

- MATERIAL:
HOUSING: "A" = NYLON 6/6, UL 94V-2, COLOR: NATURAL
"B" = NYLON 6/6, UL 94V-0, COLOR: NATURAL
TERMINALS: BRASS
- TERMINAL PLATING:
C = .000030/(.00076) MIN. SELECT GOLD AND
.000100/(.00254) MIN. MATTE TIN OVER
.000050/(.00127) MIN. NICKEL OVERALL.
D = .000100/(.00254) MIN. MATTE TIN OVER
.000050/(.00127) MIN. NICKEL OVERALL.
- PRODUCT SPECIFICATION: PS-5556-002
- PACKAGING: TRAY PACKED PER MOLEX SPECIFICATION PK-42404-002.
- PART MATES WITH MINI-FIT JR. RECEPTACLE 5557, 42385, 42474 AND 44516. 2 CIRCUIT PARTS MATE WITH 42385, 42474, AND 44516 ONLY.
- PART ALLOWS FOR UP TO .100/(2.54) MISALIGNMENT WITH MATING RECEPTACLE IN ANY DIRECTION. SEE MATING CONNECTOR DRAWINGS FOR SPECIFIC ALLOWANCES.
- PART IS NOT DESIGNED FOR CURRENT SHARING.
- CONNECTOR ASSEMBLIES ARE NOT TO BE MATED OR UNMATED WHILE CIRCUITS ARE LIVE.
- CIRCUITS SHOWN PROVIDE THE "MAKE-FIRST/BREAK-LAST" FEATURE.
- PART CONFORMS TO CLASS B OF COSMETIC SPECIFICATION PS-45499-002.
- DISCOLORATION IN THE BANDOLIER CARRIER AREA OF THE PIN IS INHERENT TO THE PLATING PROCESS AND IS DUE TO THE MASKING EFFECT OF THE CARRIER. THIS DISCOLORATION IS IN A NON-FUNCTIONAL AREA OF THE PIN AND WILL NOT AFFECT THE PERFORMANCE OF THE HEADER ASSEMBLY.
- FORMING MARKS ARE ACCEPTABLE

THIS DRAWING
REPLACES SDA-44499-X

| SYMBOLS | | THIS DRAWING CONTAINS INFORMATION THAT IS PROPRIETARY TO MOLEX ELECTRONIC TECHNOLOGIES, LLC AND SHOULD NOT BE USED WITHOUT WRITTEN PERMISSION | |
|---------|--|---|--|
| ∇ = 0 | INCH/MM | SCALE | CURRENT REV / DESC: ADDED PT. #444990132 |
| ∇ = 0 | 2:1 | GENERAL TOLERANCES (UNLESS SPECIFIED) | |
| ∇ = 0 | | MM | INCH |
| ∇ = 0 | 4 PLACES ± | | |
| ∇ = 0 | 3 PLACES ± | | |
| ∇ = 0 | 2 PLACES ± | 0.25 | 0.015 |
| ∇ = 0 | 1 PLACE ± | 0.38 | |
| ∇ = 0 | 0 PLACES ± | | |
| ∇ = 0 | ANGULAR TOL ± | 0.5° | |
| ∇ = 0 | DRAFT WHERE APPLICABLE MUST REMAIN WITHIN DIMENSIONS | THIRD ANGLE PROJECTION | DRAWING SERIES |
| | | C-SIZE | 44499 |
| | | EC NO: 623458 | DRWN: DSTEIER 2019/08/29 |
| | | CHK'D: JCOMERCI | 2019/09/06 |
| | | APPR: JCOMERCI | 2019/09/06 |
| | | INITIAL REVISION: | |
| | | DRWN: DSTEIER | 2019/08/29 |
| | | APPR: JCOMERCI | 2019/09/06 |
| | | DOCUMENT NUMBER | DOC TYPE DOC PART REVISION |
| | | 444990000-SD | PSD 000 A |
| | | MATERIAL NUMBER | CUSTOMER |
| | | SEE CHART | |
| | | SHEET NUMBER | 1 OF 3 |

| ITEM NO. | CKT. SIZE | CHARACTERISTIC DESCRIPTION | LETTER INDICATES PIN PLATING AND LENGTH REQUIRED AT EACH CIRCUIT LOCATION. SEE NOTE 2 ON SHEET 1. | | | | | | | | | | | | | | | | | | | | | | | |
|------------|-----------|----------------------------|---|----|----|----|----|----|----|----|----|----|----|----|----|----|----|----|----|----|----|----|----|----|----|----|
| | | | 1 | 2 | 3 | 4 | 5 | 6 | 7 | 8 | 9 | 10 | 11 | 12 | 13 | 14 | 15 | 16 | 17 | 18 | 19 | 20 | 21 | 22 | 23 | 24 |
| 44499-0005 | 24 | 24BC | CM | CM | CM | CM | CM | CM | CM | CM | CM | CM | CS | CM | CM | CM | CM | CM | CM | CM | CM | CM | CM | CM | CM | |
| 44499-0006 | 04 | 04BC | CS | CM | CM | CS | - | - | - | - | - | - | - | - | - | - | - | - | - | - | - | - | - | - | - | |
| 44499-0027 | 10 | 10BD | DS | DM | DM | DM | DM | DM | DM | DM | DM | DM | - | - | - | - | - | - | - | - | - | - | - | - | - | |
| 44499-0029 | 24 | 24BD | DM | DM | DM | DM | DM | DM | DM | DM | DM | DM | DM | DM | DM | DM | DM | DM | DM | DM | DM | DM | DM | DM | DM | |
| 44499-0036 | 24 | 24BD | DS | DS | DM | DM | DS | DS | DM | DS | DS | DS | DS | DS | DS | DM | DM | DM | DS | DS | DS | DS | DS | DM | DS | |
| 44499-0041 | 14 | 14AD | DS | DS | DS | V | DS | DS | DS | DM | DS | DS | V | DS | DS | DM | - | - | - | - | - | - | - | - | - | |
| 44499-0042 | 10 | 10BC | CS | CS | CS | CS | CS | CS | CS | CS | CS | CM | - | - | - | - | - | - | - | - | - | - | - | - | - | |
| 44499-0049 | 24 | 24AD | DM | DM | DM | DM | DS | DS | DS | DS | DS | DS | DS | DS | DS | DS | DS | DS | DS | DS | DS | DS | DS | DS | DS | |
| 44499-0055 | 10 | 10BC | CS | CM | CM | CM | CM | CM | CM | CM | CM | CM | - | - | - | - | - | - | - | - | - | - | - | - | - | |
| 44499-0061 | 06 | 06BD | DM | DM | DM | DM | DM | DM | - | - | - | - | - | - | - | - | - | - | - | - | - | - | - | - | - | |
| 44499-0065 | 24 | 24BC | CS | CM | CM | CM | CM | CM | CM | CM | CM | CM | CM | CM | CM | DS | CM | CM | CM | CM | CM | CM | CM | CM | CS | |
| 44499-0066 | 18 | 18BD | DS | DS | DS | DS | DS | DS | DS | DS | DS | DS | DS | DS | DS | DM | DS | DS | DS | DM | - | - | - | - | - | |
| 44499-0072 | 18 | 18BC | CS | CS | CS | CM | CM | CM | CM | CM | CS | CS | CM | CM | CM | CM | CM | CM | CS | - | - | - | - | - | - | |
| 44499-0073 | 06 | 06BC | CS | CM | CM | CM | CM | CM | CM | - | - | - | - | - | - | - | - | - | - | - | - | - | - | - | - | |
| 44499-0075 | 18 | 18AD | DM | DS | DS | DS | DS | DS | DS | DS | DS | DS | DS | DS | DS | DS | DS | DS | DM | - | - | - | - | - | - | |
| 44499-0078 | 18 | 18BC | CS | CM | CM | CM | CM | CM | CM | CM | CM | CM | CM | CM | CM | CM | CM | CM | CM | - | - | - | - | - | - | |
| 44499-0089 | 10 | 10BC | CS | CS | CM | CS | CS | CM | CM | CM | CM | CS | - | - | - | - | - | - | - | - | - | - | - | - | - | |
| 44499-0090 | 24 | 24BD | DS | DS | DM | DM | DM | DS | DS | DS | DS | DM | DS | DS | DS | DS | DM | DS | DS | DS | DS | DS | DM | DM | DS | |
| 44499-0092 | 04 | 04BD | DS | DM | DM | DS | - | - | - | - | - | - | - | - | - | - | - | - | - | - | - | - | - | - | - | |
| 44499-0093 | 04 | 04BC | CS | CM | CM | CS | - | - | - | - | - | - | - | - | - | - | - | - | - | - | - | - | - | - | - | |
| 44499-0094 | 18 | 18BC | CM | CM | CM | CM | CM | CM | CM | CM | CM | CM | CM | CM | CM | CM | CM | CS | CM | - | - | - | - | - | - | |
| 44499-0095 | 18 | 18BC | CM | CM | CM | CM | CM | CM | CM | CM | CM | CM | CS | CM | CM | CM | CM | CM | CM | - | - | - | - | - | - | |
| 44499-0096 | 24 | 24AD | DM | DM | V | DM | DM | V | DM | DM | DM | DM | DM | DM | DM | V | DM | DM | V | DM | DM | DM | DM | DM | DM | |
| 44499-0097 | 14 | 14BC | CM | CM | CM | CM | CM | CM | CM | CM | CM | CM | CM | CM | CS | - | - | - | - | - | - | - | - | - | - | |
| 44499-0099 | 24 | 24BC | CM | CM | CM | CM | CM | CM | CM | CM | CM | CM | CM | CM | CM | CM | CM | CM | CM | CM | CM | CM | CM | CM | CS | |
| 44499-0100 | 24 | 24BC | CS | CM | CM | CM | CM | CM | CM | CM | CM | CM | CM | CM | CS | CM | CS | CM | CS | CM | CS | CM | CS | CM | CS | |
| 44499-0101 | 14 | 14BC | CM | CS | CM | CM | CS | CM | CM | CM | CM | CM | CM | CM | CS | - | - | - | - | - | - | - | - | - | - | |
| 44499-0102 | 24 | 24BC | CM | CM | CS | CS | CS | CS | CS | CS | CS | CS | CM | CM | CM | CM | CS | CS | CS | CS | CS | CS | CS | CM | CM | |
| 44499-0103 | 24 | 24AD | DM | DS | DS | DS | DS | DS | DS | DS | DS | DS | DS | DS | DS | DS | DS | DS | DS | DS | DS | DS | DS | DS | DM | |
| 44499-0104 | 24 | 24BC | CM | CS | CM | CS | CM | CS | CM | CS | CM | CS | CM | CS | CS | CS | CM | CM | CS | CM | CM | CM | CS | CM | CM | |
| 44499-0105 | 16 | 16BC | CM | CS | CS | CS | CS | CS | CS | CS | CS | CS | CS | CS | CS | CM | CS | - | - | - | - | - | - | - | - | |
| 44499-0106 | 08 | 08BC | CS | CS | CM | CS | CS | CS | CM | CS | - | - | - | - | - | - | - | - | - | - | - | - | - | - | - | |
| 44499-0107 | 24 | 24AD | DM | DM | DM | DM | DM | DM | DM | DM | DM | DM | DM | DM | DM | DM | DM | DM | DM | DM | DM | DM | DM | DM | DM | |
| 44499-0108 | 14 | 14BC | CS | CS | CS | CS | CS | CS | CM | CS | CS | CS | CS | CS | CS | - | - | - | - | - | - | - | - | - | - | |
| 44499-0109 | 24 | 24BC | CM | CS | CS | CM | CS | CS | CS | CS | CS | CS | CS | CS | CM | CS | CS | CM | CS | CS | CS | CS | CS | CS | CS | |
| 44499-0111 | 06 | 06BC | CM | CS | CS | CM | CS | CS | - | - | - | - | - | - | - | - | - | - | - | - | - | - | - | - | - | |
| 44499-0112 | 24 | 24BC | CS | CM | CM | CS | CS | CS | CS | CS | CS | CS | CS | CS | CM | CM | CS | CS | CS | CS | CS | CS | CS | CS | CS | |

CHARACTERISTICS LEGEND:

CIRCUIT SIZE _____ (***)
 (02-24)
 HOUSING MATERIAL _____ (***)
 A = NYLON 6/6, U.L. 94V-2,
 COLOR: NATURAL
 B = NYLON 6/6, U.L. 94V-0,
 COLOR: NATURAL
 TERMINAL PLATING _____
 C = SELECT GOLD
 D = MATTE TIN OVERALL
 * = MIXED TIN AND GOLD

TERMINAL PLATING AND LENGTH CODE

CS = SELECT GOLD, STANDARD LENGTH
 DS = MATTE TIN, STANDARD LENGTH
 CM = SELECT GOLD, MATE-FIRST/BREAK-LAST (LONGER)
 DM = MATTE TIN, MATE-FIRST/BREAK-LAST (LONGER)
 V = VOID CIRCUIT

| | | | | | | | | | | | | | | | | | | | | | | | | | | | | | | | | | | | | | | | | | | | | | | | | | | | | | | | | | | | | | | | | | | | | | | | | | | | | | | | |
|--|--|--|--|--|--------|--|--|--|--|--|--|--|--|--|----------------|--|--|--|--|------------|--|--|--|--|--|--|--|--|--|--------------|--|--|--|--|--|--|--|--|--|--------------|--|--|--|--|--|--|--|--|--|-----|--|--|--|--|--|--|--|--|--|-----|--|--|--|--|--|--|--|--|--|---|--|--|--|--|--|--|--|--|--|
| SYMBOLS | | | | | | | | | | THIS DRAWING CONTAINS INFORMATION THAT IS PROPRIETARY TO MOLEX ELECTRONIC TECHNOLOGIES, LLC AND SHOULD NOT BE USED WITHOUT WRITTEN PERMISSION | | | | | | | | | | | | | | | | | | | | | | | | | | | | | | | | | | | | | | | | | | | | | | | | | | | | | | | | | | | | | | | | | | | | | |
| DIMENSION UNITS | | | | | SCALE | | | | | CURRENT REV DESC: ADDED PT. #444990132 | | | | | | | | | | | | | | | | | | | | | | | | | | | | | | | | | | | | | | | | | | | | | | | | | | | | | | | | | | | | | | | | | | | | | |
| INCH/MM | | | | | 2:1 | | | | | EC NO: 623458 DRWN: DSTEIER 2019/08/29 CHK'D: JCOMERCI 2019/09/06 APPR: JCOMERCI 2019/09/06 INITIAL REVISION: DRWN: DSTEIER 2019/08/29 APPR: JCOMERCI 2019/09/06 | | | | | | | | | | | | | | | | | | | | | | | | | | | | | | | | | | | | | | | | | | | | | | | | | | | | | | | | | | | | | | | | | | | | | |
| GENERAL TOLERANCES (UNLESS SPECIFIED) | | | | | | | | | | | | | | | | | | | | | | | | | | | | | | | | | | | | | | | | | | | | | | | | | | | | | | | | | | | | | | | | | | | | | | | | | | | | | | | |
| 4 PLACES ± | | | | | MM | | | | | INCH | | | | | | | | | | | | | | | | | | | | | | | | | | | | | | | | | | | | | | | | | | | | | | | | | | | | | | | | | | | | | | | | | | | | | |
| 3 PLACES ± | | | | | ± 0.01 | | | | | | | | | | | | | | | | | | | | | | | | | | | | | | | | | | | | | | | | | | | | | | | | | | | | | | | | | | | | | | | | | | | | | | | | | | |
| 2 PLACES ± | | | | | ± 0.25 | | | | | ± 0.015 | | | | | | | | | | | | | | | | | | | | | | | | | | | | | | | | | | | | | | | | | | | | | | | | | | | | | | | | | | | | | | | | | | | | | |
| 1 PLACE ± | | | | | ± 0.38 | | | | | ± | | | | | | | | | | | | | | | | | | | | | | | | | | | | | | | | | | | | | | | | | | | | | | | | | | | | | | | | | | | | | | | | | | | | | |
| 0 PLACES ± | | | | | ± | | | | | | | | | | | | | | | | | | | | | | | | | | | | | | | | | | | | | | | | | | | | | | | | | | | | | | | | | | | | | | | | | | | | | | | | | | |
| ANGULAR TOL ± 0.5° | | | | | | | | | | | | | | | | | | | | | | | | | | | | | | | | | | | | | | | | | | | | | | | | | | | | | | | | | | | | | | | | | | | | | | | | | | | | | | | |
| DRAFT WHERE APPLICABLE MUST REMAIN WITHIN DIMENSIONS | | | | | | | | | | THIRD ANGLE PROJECTION | | | | | DRAWING SERIES | | | | | | | | | | | | | | | | | | | | | | | | | | | | | | | | | | | | | | | | | | | | | | | | | | | | | | | | | | | | | | | | |
| | | | | | | | | | | C-SIZE | | | | | 44499 | | | | | | | | | | | | | | | | | | | | | | | | | | | | | | | | | | | | | | | | | | | | | | | | | | | | | | | | | | | | | | | | |
| DOCUMENT STATUS | | | | | | | | | | DOCUMENT NUMBER | | | | | | | | | | DOC TYPE | | | | | | | | | | DOC PART | | | | | | | | | | REVISION | | | | | | | | | | | | | | | | | | | | | | | | | | | | | | | | | | | | | | | |
| P1 | | | | | | | | | | RELEASE DATE | | | | | | | | | | 2019/09/06 | | | | | | | | | | 13:29:40 | | | | | | | | | | 444990000-SD | | | | | | | | | | PSD | | | | | | | | | | 000 | | | | | | | | | | A | | | | | | | | | |
| SEE CHART | | | | | | | | | | MATERIAL NUMBER | | | | | | | | | | CUSTOMER | | | | | | | | | | SHEET NUMBER | | | | | | | | | | | | | | | | | | | | | | | | | | | | | | | | | | | | | | | | | | | | | | | | | |
| | | | | | | | | | | | | | | | | | | | | | | | | | | | | | | 2 OF 3 | | | | | | | | | | | | | | | | | | | | | | | | | | | | | | | | | | | | | | | | | | | | | | | | | |

| ITEM NO. | CKT. SIZE | CHARACTERISTIC DESCRIPTION | LETTER INDICATES PIN PLATING AND LENGTH REQUIRED AT EACH CIRCUIT LOCATION. SEE NOTE 2 ON SHEET 1. | | | | | | | | | | | | | | | | | | | | | | | |
|------------|-----------|----------------------------|---|----|----|----|----|----|----|----|----|----|----|----|----|----|----|----|----|----|----|----|----|----|----|----|
| | | | 1 | 2 | 3 | 4 | 5 | 6 | 7 | 8 | 9 | 10 | 11 | 12 | 13 | 14 | 15 | 16 | 17 | 18 | 19 | 20 | 21 | 22 | 23 | 24 |
| 44499-0113 | 24 | 24BD | DS | V | DS | V | DS | V | DS | V | V | DS | DS | DS | DS | V | DS | V | DS | V | DS | V | DS | DS | DS | |
| 44499-0114 | 14 | 14BD | DS | V | DS | V | DS | V | DS | DS | V | DS | V | DS | V | DS | - | - | - | - | - | - | - | - | - | |
| 44499-0115 | 18 | 18BD | DS | V | V | DS | V | V | DS | DS | DS | DS | V | V | DS | V | V | DS | DS | DS | - | - | - | - | - | |
| 44499-0116 | 04 | 04BD | DS | DS | DM | DM | - | - | - | - | - | - | - | - | - | - | - | - | - | - | - | - | - | - | | |
| 44499-0117 | 10 | 10BD | DM | DM | DM | DM | DM | DM | DM | DM | DM | DM | DM | DM | DM | - | - | - | - | - | - | - | - | - | | |
| 44499-0118 | 14 | 14BD | DM | DM | DM | DM | DM | DM | DM | DM | DM | DM | DM | DM | DM | - | - | - | - | - | - | - | - | - | | |
| 44499-0119 | 14 | 14BC | CM | CM | CM | CM | CS | CM | CS | CM | CM | CM | CM | CM | CS | - | - | - | - | - | - | - | - | - | | |
| 44499-0120 | 14 | 14BC | CM | CM | CM | CM | CS | CM | CM | CM | CM | CM | CM | CS | CM | - | - | - | - | - | - | - | - | - | | |
| 44499-0121 | 10 | 10BC | CM | CS | CS | CS | CS | CM | CS | CS | CS | CS | - | - | - | - | - | - | - | - | - | - | - | - | | |
| 44499-0122 | 18 | 18BC | CM | CM | CM | CM | CM | CM | CM | CM | CM | CM | CM | CS | CS | CM | CM | CM | CM | CM | - | - | - | - | - | |
| 44499-0123 | 10 | 10BD | DS | V | DS | V | DS | DS | V | DS | V | DS | - | - | - | - | - | - | - | - | - | - | - | - | | |
| 44499-0124 | 14 | 14BC | CM | CM | CM | CM | CM | CM | CM | CM | CS | CM | CM | CS | CM | CM | - | - | - | - | - | - | - | - | | |
| 44499-0125 | 14 | 14BC | CM | CM | CM | CM | CS | CM | CM | CM | CS | CM | CM | CM | CM | - | - | - | - | - | - | - | - | - | | |
| 44499-0126 | 14 | 14BC | CM | CM | CM | CM | CS | CM | CM | CM | CM | CM | CS | CS | CM | CM | - | - | - | - | - | - | - | - | | |
| 44499-0127 | 18 | 18BD | DM | DM | DM | DM | DM | DS | DS | DM | DS | DM | DM | DM | DM | DM | DM | DM | DM | - | - | - | - | - | | |
| 44499-0128 | 14 | 14BC | CM | CM | CM | CS | CS | CM | CS | CM | CM | CM | CS | CM | CM | CS | - | - | - | - | - | - | - | - | | |
| 44499-0129 | 14 | 14BD | DM | DM | DM | DS | DS | DM | DS | DM | DM | DM | DS | DS | DM | DS | - | - | - | - | - | - | - | - | | |
| 44499-0130 | 14 | 14BD | DM | DS | DS | DS | DS | DS | DM | DM | DS | DM | DS | DS | DM | DM | - | - | - | - | - | - | - | - | | |
| 44499-0131 | 14 | 14BC | CS | CS | CS | CS | CM | CS | CS | CS | CM | CS | CS | CM | CS | | | | | | | | | | | |
| 44499-0132 | 18 | 18BD | DS | DS | DS | DM | DM | DM | DM | DM | DS | DS | DS | DS | DS | DS | DS | DS | DS | | | | | | | |

CHARACTERISTICS LEGEND:

CIRCUIT SIZE _____ ** * *

(02-24)

HOUSING MATERIAL _____

A = NYLON 6/6, U.L. 94V-2,
COLOR: NATURAL

B = NYLON 6/6, U.L. 94V-0,
COLOR: NATURAL

TERMINAL PLATING _____

C = SELECT GOLD

D = MATTE TIN OVERALL

* = MIXED TIN AND GOLD

TERMINAL PLATING AND LENGTH CODE

CS = SELECT GOLD, STANDARD LENGTH

DS = MATTE TIN, STANDARD LENGTH

CM = SELECT GOLD, MATE-FIRST/BREAK-LAST (LONGER)

DM = MATTE TIN, MATE-FIRST/BREAK-LAST (LONGER)

V = VOID CIRCUIT

| | | | | |
|---------|---|-----------|--|----------------------------|
| SYMBOLS | THIS DRAWING CONTAINS INFORMATION THAT IS PROPRIETARY TO MOLEX ELECTRONIC TECHNOLOGIES, LLC AND SHOULD NOT BE USED WITHOUT WRITTEN PERMISSION | | | |
| | DIMENSION UNITS | SCALE | CURRENT REV DESC: ADDED PT. #444990132 | |
| ∇ = 0 | INCH/MM | 2:1 | | |
| ∇ = 0 | GENERAL TOLERANCES (UNLESS SPECIFIED) | | | |
| ∇ = 0 | | MM | INCH | |
| ∇ = 0 | 4 PLACES | ± | ± | EC NO: 623458 |
| ∇ = 0 | 3 PLACES | ± | ± 0.01 | DRWN: DSTEIER 2019/08/29 |
| ∇ = 0 | 2 PLACES | ± 0.25 | ± 0.015 | CHK'D: JCOMERCI 2019/09/06 |
| ∇ = 0 | 1 PLACE | ± 0.38 | ± | APPR: JCOMERCI 2019/09/06 |
| ∇ = 0 | 0 PLACES | ± | ± | INITIAL REVISION: |
| ∇ = 0 | ANGULAR TOL | ± 0.5 ° | | DRWN: DSTEIER 2019/08/29 |
| ∇ = 0 | DRAFT WHERE APPLICABLE MUST REMAIN WITHIN DIMENSIONS | | | APPR: JCOMERCI 2019/09/06 |
| ∇ = 0 | THIRD ANGLE PROJECTION | DRAWING | SERIES | DOCUMENT NUMBER |
| | | C-SIZE | 44499 | 444990000-SD |
| | | SEE CHART | CUSTOMER | DOC TYPE DOC PART REVISION |
| | | | | PSD 000 A |
| | | | | SHEET NUMBER |
| | | | | 3 OF 3 |



SELECTIVELY-LOADED
RT ANGLE DUAL ROW HEADER
(MATE-FIRST/BREAK-LAST)

PRODUCT CUSTOMER DRAWING

Mouser Electronics

Authorized Distributor

Click to View Pricing, Inventory, Delivery & Lifecycle Information:

[Molex:](#)

[44499-0006](#)