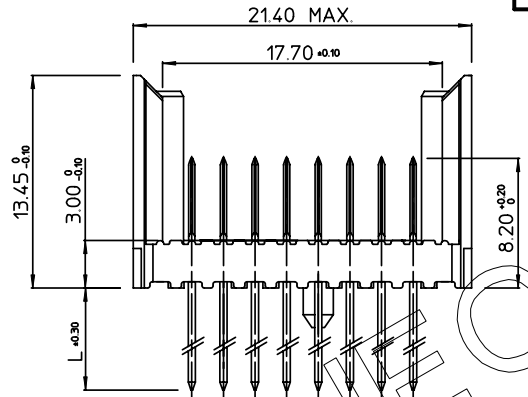
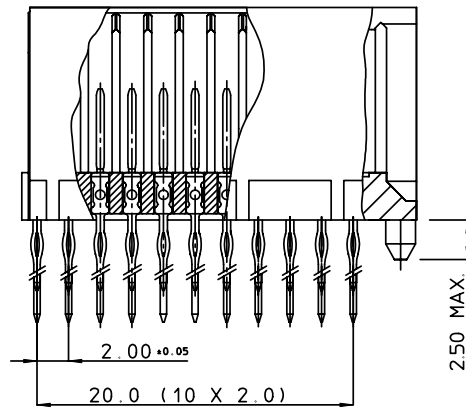


GEN. ST.	01	02	03	04	05	06	07	08	0D	50	60	70	80	90															
INT. ST.	10	11	12	13	14	18	20	31	32	33	34	38	39	40	42	43	44	45	46	48	56	70	72	73	76	81	83	84	88

REV.	DATE	DESCRIPTION	BY	C'K'D'
A	2001-09-14	CONVERSION REVISION 03	KN	
B	2005-10-26	105-0205	ALEX B	BKP
C	2006-08-08	106-0144	ALEX B	BKP



PERFORMANCE CHARACTERISTICS

CURRENT RATING : 1.5 A AT 20°C (FULLY LOADED)
 1 A AT 70°C (FULLY LOADED)

RATED VOLTAGE : 500 V AC (CONT / CONT)

OPERATING TEMPERATURE : -55°C TO 125°C

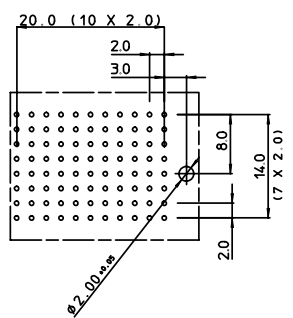
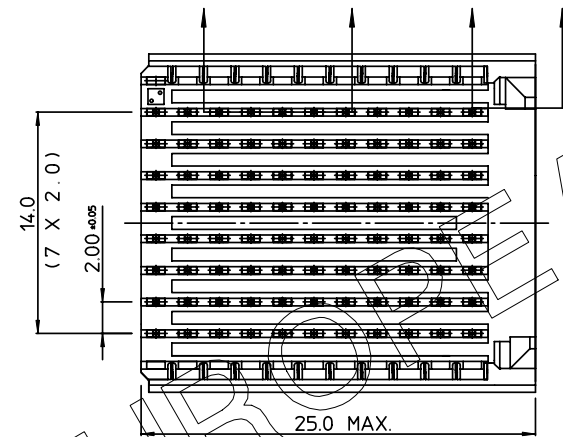
CONTACT RESISTANCE : 20 mΩ MAX

INSERTION FORCE : 0.60 N MAX / CONT

EXTRACTION FORCE : 0.15 N MIN / CONT

INSULATION RESISTANCE : 10⁴ MΩ MIN

CAT. NR.	L ±0.3	DESCRIPTION
HM2P89PD8110----	3.7	SHORT PRESS-FIT
HM2P89PC8110----	4.5	SHORT PRESS-FIT
HM2P89PK8110----	13	REAR PLUG-UP: LEVEL 1
HM2P89PM8110----	14.5	REAR PLUG-UP: LEVEL 2
HM2P89PN8110----	16	REAR PLUG-UP: LEVEL 3
HM2P89PT8110----	13	WIRE WRAP



LAY-OUT
P.C.B. - HOLE

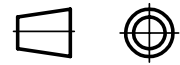
NOTES

1. *HM2P89P#8110^C*
 PERFORMANCE LEVEL INDICATOR
 (REFER DWG No. BS.C , 201844,003)
 LEAD FREE INDICATOR : LF-LEAD FREE
 (DIGIT 15&16)
2. THIS PRODUCT IS CSA APPROVED.
 THIS PRODUCT IS UL RECOGNIZED.
3. FOR RECOMMENDED PTH DIMENSIONS REFER DRAWING : BS.A , 201572,001
4. THE PRODUCT (LF) MEETS EUROPEAN UNION DIRECTIVES AND OTHER COUNTRY REGULATIONS AS DESCRIBED IN GS-22-008

MALE SIGNAL STRAIGHT PRESS-FIT-TO-BOARD CONNECTOR				
EXTENSION MODULE (WIDE BODY)				
1DEC ±0.2 2DEC ±0.1 ANGLES ±1°	APPR. DRAFT CHECKED	DATE 1996-04-30	SIGN. W.Panle	MILLIPACS 2 / TYPE F (8 ROW) / NO SHIELDING
CAT. No. HM2P89P#8110----				SCALE 3/1
www.fciconnect.com				FCI
ALL DIMENSIONS IN MM				
REFERENCES				

THIS IS OUR EXCLUSIVE PROPERTY. IT IS NOT TO BE COPIED, REPRINTED OR DISCLOSED TO A THIRD PARTY. NOR USED FOR MANUFACTURING WITHOUT OUR WRITTEN CONSENT, AND HAS TO BE RETURNED TO US IN CASE OF NO USAGE

DIT IS ONZE EIGENDOM EN MAG NOCH NAGEMAAKT. HERDRUKT, OVERGEMAAKT AAN DERDEN, NOCH VOOR FABRIKATIE GEBRUIKT WORDEN, ZONDER ONZE SCHRIFTELIJKE TOELATING. BIJ NIET GEBRUIK IS TERUGZENDING VERPLICHT.



PDM: Rev:C

STATUS: Released
 DRAWING No. BS.C , 202259,003
 CUSTOMER DRAWING REVISION C
 Printed: Dec 02, 2007

Mouser Electronics

Authorized Distributor

Click to View Pricing, Inventory, Delivery & Lifecycle Information:

[FCI / Amphenol:](#)

[HM2P89PD8110N9LF](#) [HM2P89PK8110GFLF](#) [HM2P89PM8110GFLF](#) [HM2P89PD8110N9L1LF](#)