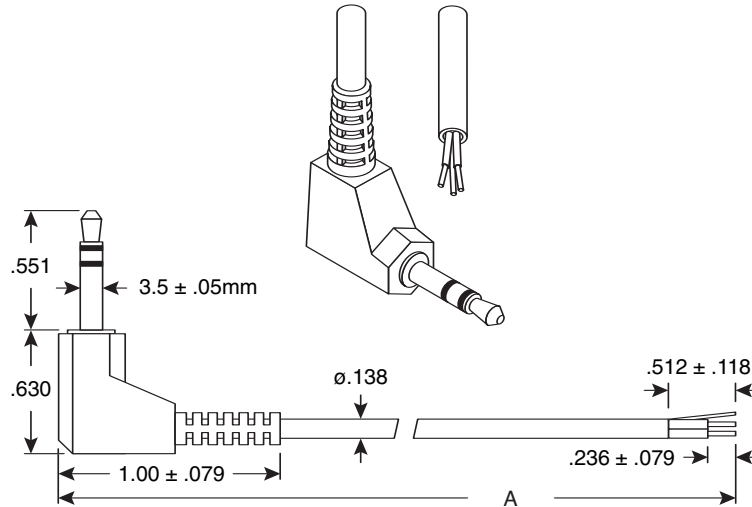


Cable Assemblies

172-2011, 172-2016, 172-2017, 172-2036



Cable Assemblies



Dimensions: In.

Part No.	Color	A Length (In.)
172-2011	black	72 ± 1.97
172-2036	black	36 ± 1.18
172-2016	black	120 ± 3.94
172-2017	gray	72 ± 1.97

SPECIFICATIONS	
Type:	3.5mm stereo plug to 2 conductors stripped and tinned; shielded
Conductor:	26AWG, stranded copper wire with PVC jacket
Shielding:	wrapped copper wire
Body:	PVC
Plug:	brass
Tip insulators:	ABS
Jacket:	PVC
Wire color coding:	plug tip (white conductor), ring (red conductor), sleeve (shielding)
Temperature:	60°C
Voltage rating:	24V DC

Date Last Revised: 5-24-05

Available from Mouser Electronics
 1-800-346-6873
 www.mouser.com

KC- 300314

172-2011, 172-2016, 172-2017, 172-2036

Mouser Electronics

Authorized Distributor

Click to View Pricing, Inventory, Delivery & Lifecycle Information:

[Kobiconn:](#)

[172-2011](#) [172-2017](#) [172-2016](#) [172-2036](#)