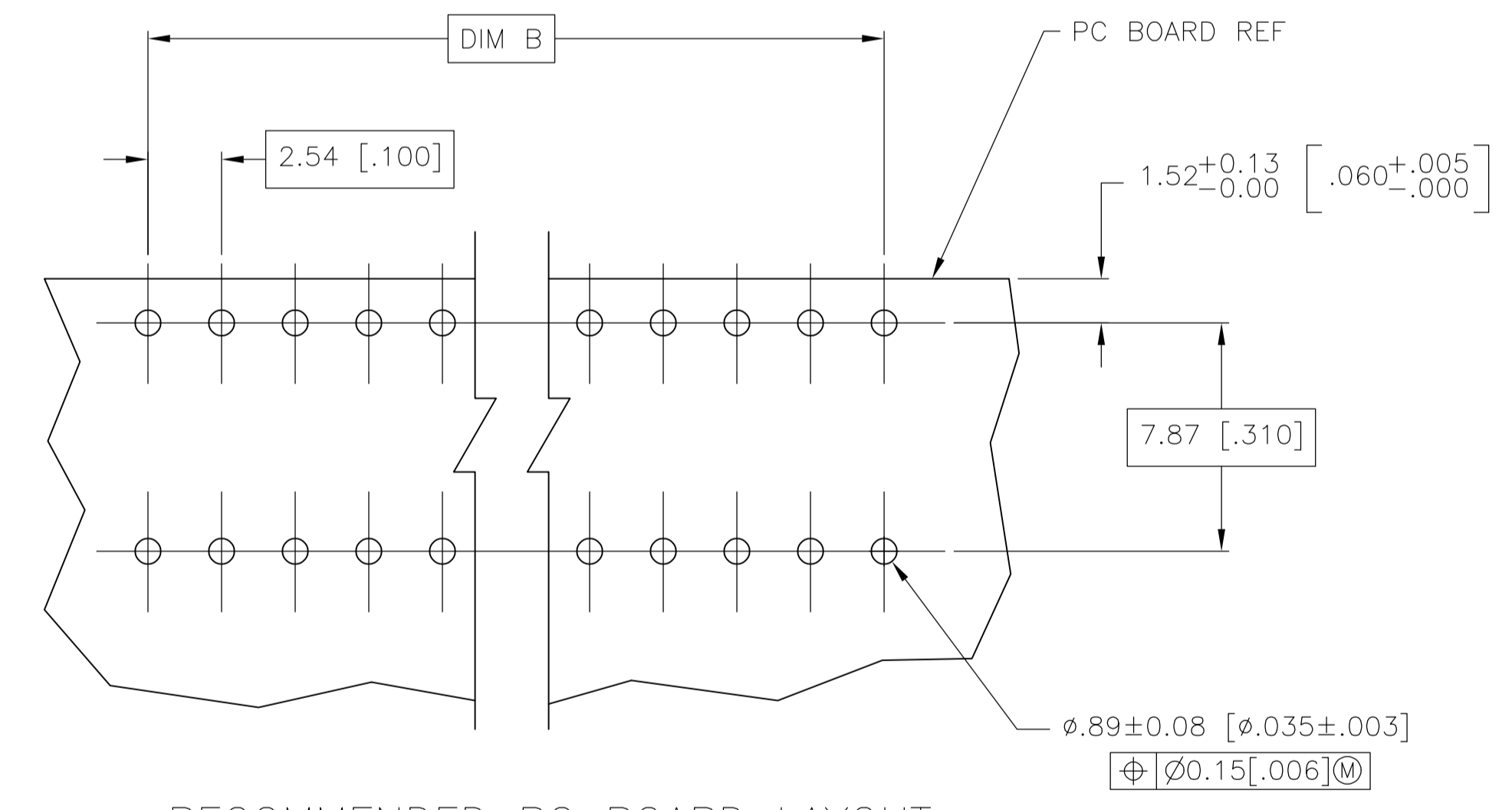
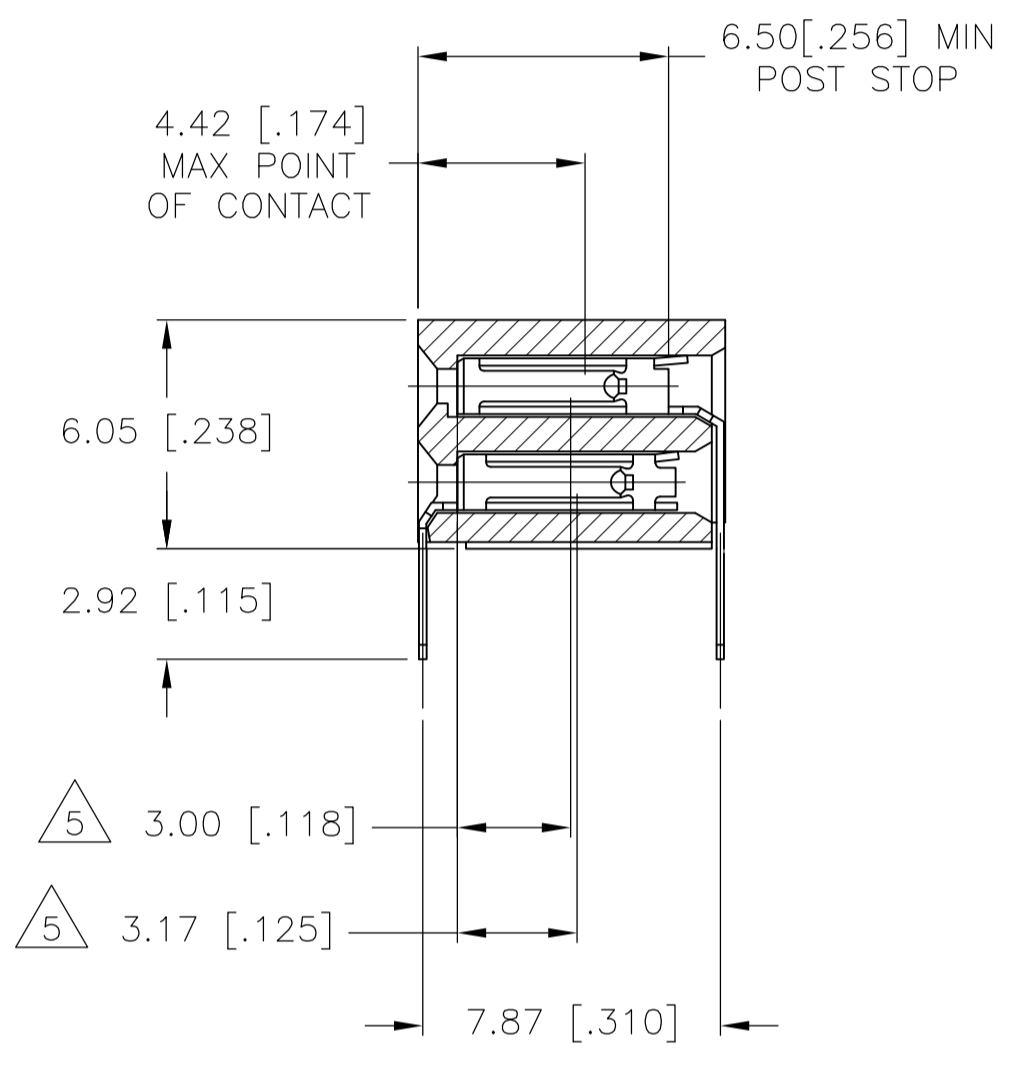
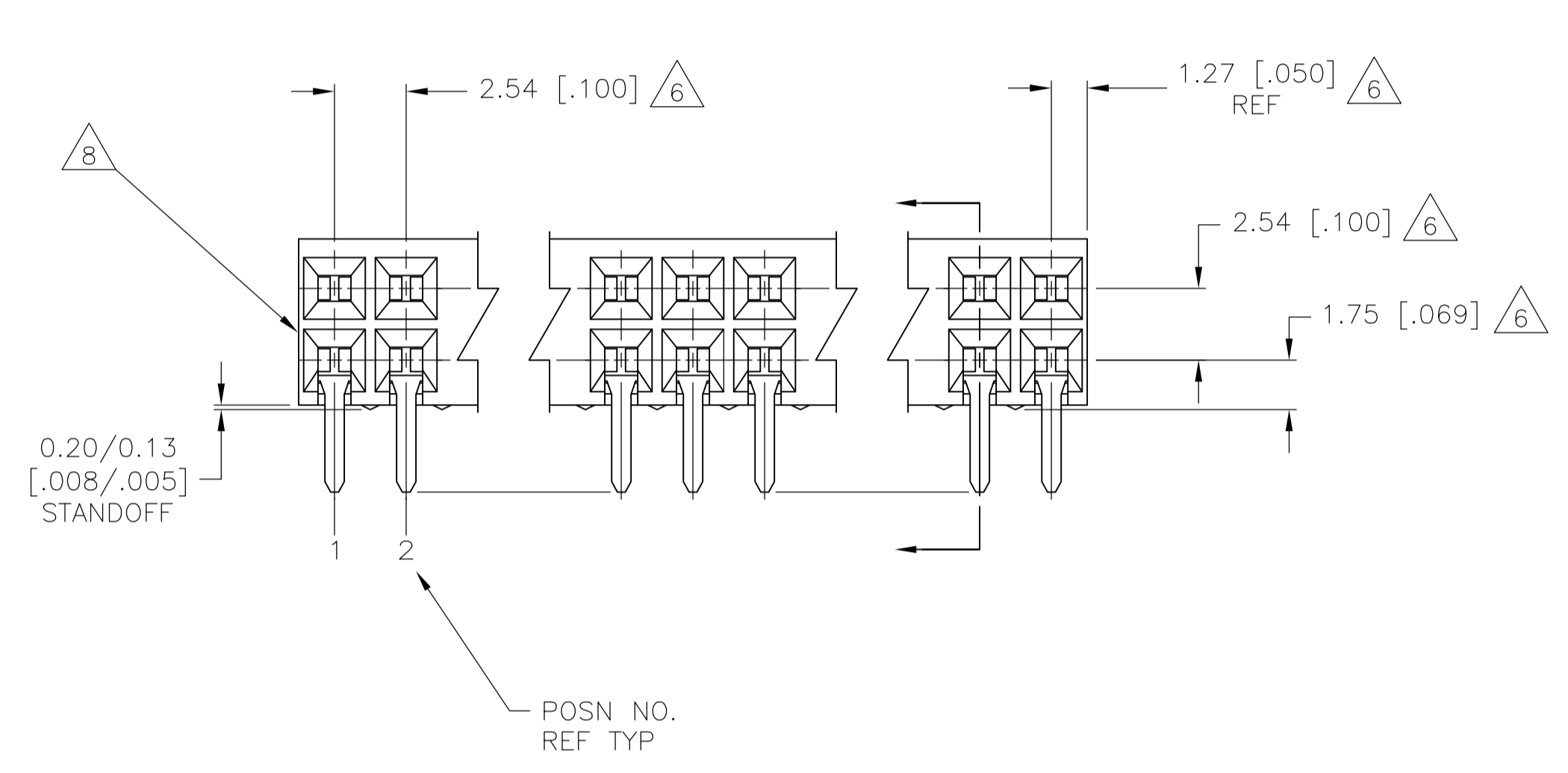
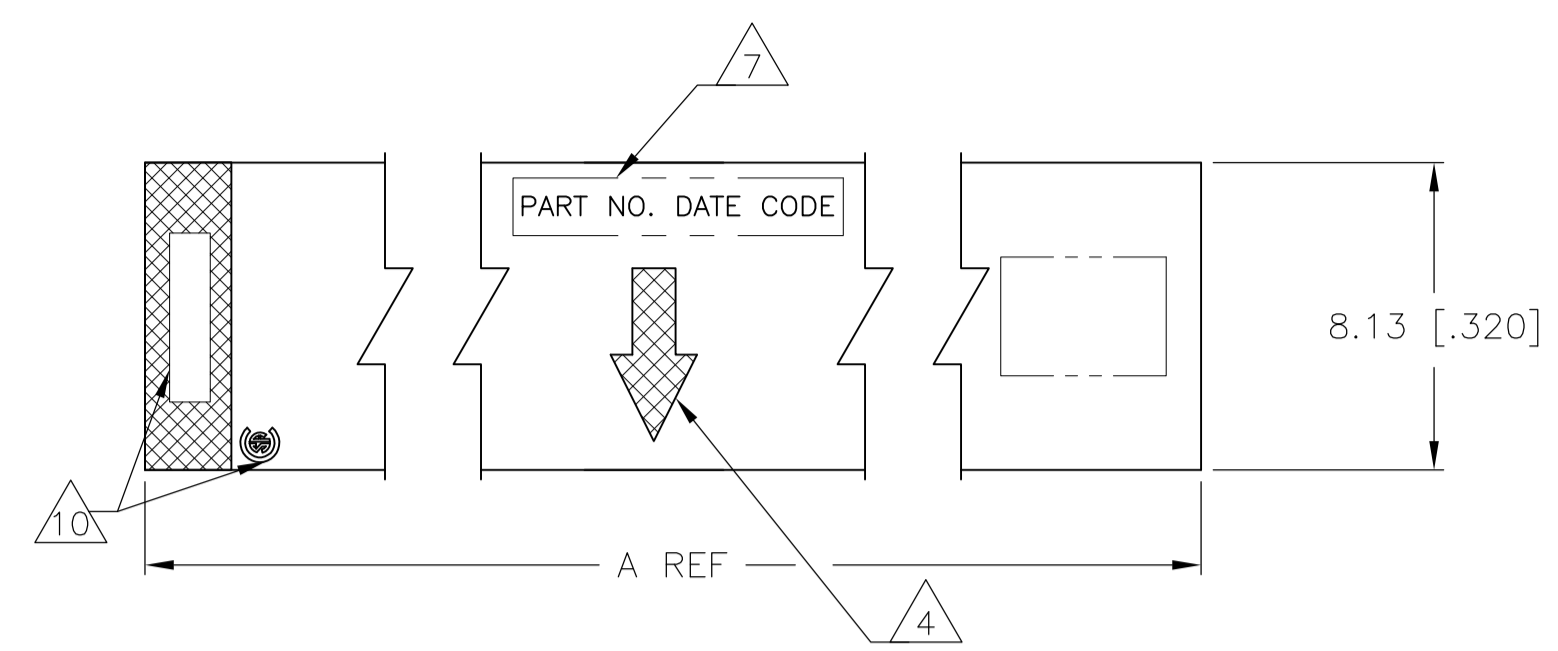


LOC		DIST		REVISIONS			
AD	00	P	LTR	DESCRIPTION	DATE	DMN	APVO
		Y6	REVISED	PER ECO-13-005565	02APR13	KH	JO



RECOMMENDED PC BOARD LAYOUT

- 1 HOUSING MATERIAL: GLASS FILLED POLYESTER, COLOR- BLACK
- 2 CONTACT MATERIAL: PHOSPHOR BRONZE
- 3 CONTACT FINISH: 0.00076[.000030] THK DUPLEX PLATED GOLD ON CONTACT AREA, 0.00127[.000050] MIN THK BRIGHT TIN-LEAD ON SOLDERLEADS, ALL OVER 0.00127[.000050] NICKEL
- 4 MOLDED IN ARROW DESIGNATES THE MATING FACE OF THE CONNECTOR
- 5 POINT OF MEASUREMENT FOR PLATING THICKNESS OF CONTACT AREA
- 6 DIMENSIONS PERTAIN TO HOUSING CAVITY CENTERLINES
- 7 PART NUMBER AND DATE CODE MARKED IN APPROXIMATE LOCATION SHOWN, EITHER END.
- 8 ALTERNATE LOCATION FOR DATE CODE FOR 4 AND 6 POSITION.
- 10 TE LOGO AND CSA LOGO ARE MOLDED INTO HOUSING, THIS LOCATION.

10.16 [.400]	12.70 [.500]	10	6-535512-4	
7.62 [.300]	10.16 [.400]	8	6-535512-3	
5.08 [.200]	7.62 [.300]	6	6-535512-2	
2.54 [.100]	5.08 [.200]	4	6-535512-1	
162.56 [6.400]	165.10 [6.500]	130	6-535512-0	
160.02 [6.300]	162.56 [6.400]	128	5-535512-9	
157.48 [6.200]	160.02 [6.300]	126	5-535512-8	
152.40 [6.000]	154.94 [6.100]	122	5-535512-7	
149.86 [5.900]	152.40 [6.000]	120	5-535512-6	
147.32 [5.800]	149.86 [5.900]	118	5-535512-5	
144.78 [5.700]	147.32 [5.800]	116	5-535512-4	
142.24 [5.600]	144.78 [5.700]	114	5-535512-3	
139.70 [5.500]	142.24 [5.600]	112	5-535512-2	
137.16 [5.400]	139.70 [5.500]	110	5-535512-1	
134.62 [5.300]	137.16 [5.400]	108	5-535512-0	
132.08 [5.200]	134.62 [5.300]	106	4-535512-9	
129.54 [5.100]	132.08 [5.200]	104	4-535512-8	
127.00 [5.000]	129.54 [5.100]	102	4-535512-7	
124.46 [4.900]	127.00 [5.000]	100	4-535512-6	
SUPERCEDED BY 4-5535512-5				
121.92 [4.800]	124.46 [4.900]	98	4-535512-5	
119.38 [4.700]	121.92 [4.800]	96	4-535512-4	
116.84 [4.600]	119.38 [4.700]	94	4-535512-3	
114.30 [4.500]	116.84 [4.600]	92	4-535512-2	
111.76 [4.400]	114.30 [4.500]	90	4-535512-1	
109.22 [4.300]	111.76 [4.400]	88	4-535512-0	
SUPERCEDED BY 3-5535512-9				
106.68 [4.200]	109.22 [4.300]	86	3-535512-9	
104.14 [4.100]	106.68 [4.200]	84	3-535512-8	
101.16 [4.000]	104.14 [4.100]	82	3-535512-7	
91.44 [3.600]	93.98 [3.700]	74	3-535512-6	
88.90 [3.500]	91.44 [3.600]	72	3-535512-5	
83.82 [3.300]	86.36 [3.400]	68	3-535512-4	
81.28 [3.200]	83.82 [3.300]	66	3-535512-3	
78.74 [3.100]	81.28 [3.200]	64	3-535512-2	
76.20 [3.000]	78.74 [3.100]	62	3-535512-1	
73.66 [2.900]	76.20 [3.000]	60	3-535512-0	
71.12 [2.800]	73.66 [2.900]	58	2-535512-9	
63.50 [2.500]	66.04 [2.600]	52	2-535512-8	
55.88 [2.200]	58.42 [2.300]	46	2-535512-7	
50.8 [2.000]	53.34 [2.100]	42	2-535512-6	
48.26 [1.900]	50.8 [2.000]	40	2-535512-5	
45.72 [1.800]	48.26 [1.900]	38	2-535512-4	
38.10 [1.500]	40.64 [1.600]	32	2-535512-3	
35.56 [1.400]	38.10 [1.500]	30	2-535512-2	
33.02 [1.300]	35.56 [1.400]	28	2-535512-1	
30.48 [1.200]	33.02 [1.300]	26	2-535512-0	
25.40 [1.000]	27.94 [1.100]	22	1-535512-9	
17.78 [.700]	20.32 [.800]	16	1-535512-8	
15.24 [.600]	17.78 [.700]	14	1-535512-7	
20.32 [.800]	22.86 [.900]	18	1-535512-6	
58.42 [2.300]	60.96 [2.400]	48	1-535512-5	
154.94 [6.100]	157.48 [6.200]	124	1-535512-4	
99.06 [3.900]	101.16 [4.000]	80	1-535512-3	
96.52 [3.800]	99.06 [3.900]	78	1-535512-2	
93.98 [3.700]	96.52 [3.800]	76	1-535512-1	
86.36 [3.400]	88.90 [3.500]	70	1-535512-0	
68.58 [2.700]	71.12 [2.800]	56	535512-9	
66.04 [2.600]	68.58 [2.700]	54	535512-8	
60.96 [2.400]	63.50 [2.500]	50	535512-7	
53.34 [2.100]	55.88 [2.200]	44	535512-6	
43.18 [1.700]	45.72 [1.800]	36	535512-5	
40.64 [1.600]	43.18 [1.700]	34	535512-4	
27.94 [1.100]	30.48 [1.200]	24	535512-3	
22.86 [.900]	25.40 [1.000]	20	535512-2	
12.70 [.500]	15.24 [.600]	12	535512-1	
B		A	NO. OF POSN	ASSEMBLY PART NUMBER

THIS DRAWING IS A CONTROLLED DOCUMENT.

DIN R BROWN 17MAY02  
CHK J OLSON 17MAY02  
APVO J OLSON 17MAY02

TE Connectivity

AMP/ODU MOD II RECEPTACLE ASSEMBLY, HORIZONTAL, .100 CL, 2 ROW, CLOSED-ENTRY, SHORT POINT OF CONTACT, END-TO-END STACKABLE

SIZE A1 CASE CODE DRAWING NO. 00779 C=535512

WEIGHT --

CUSTOMER DRAWING SCALE 5:1 SHEET 1 OF 1 REV Y6

# Mouser Electronics

Authorized Distributor

Click to View Pricing, Inventory, Delivery & Lifecycle Information:

[TE Connectivity:](#)

[3-535512-3](#)