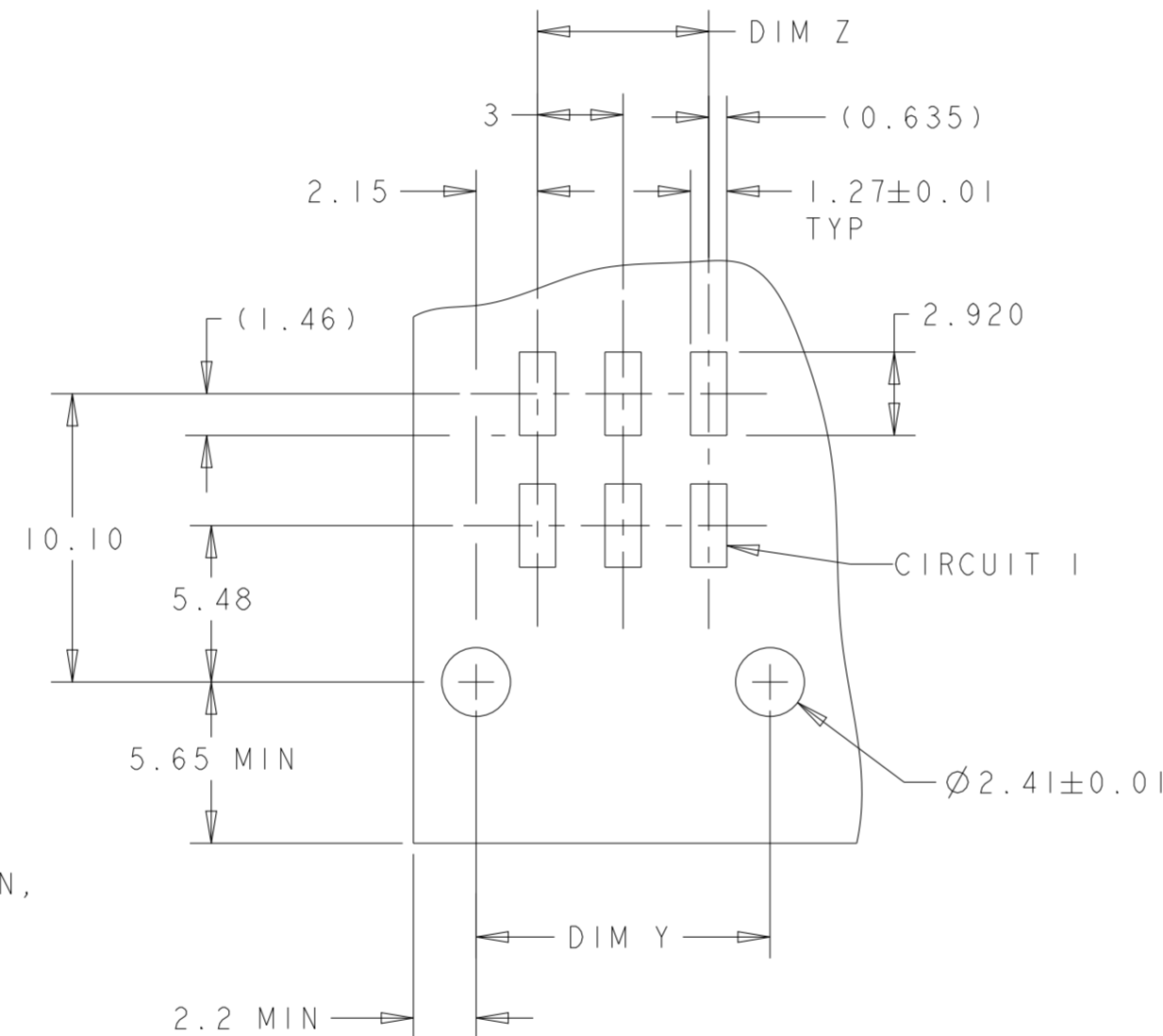
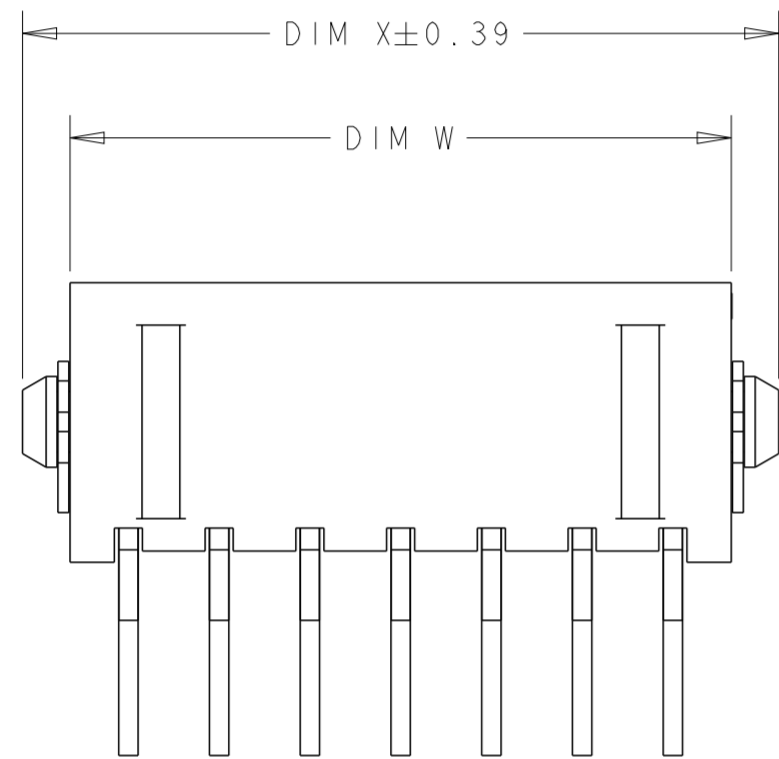
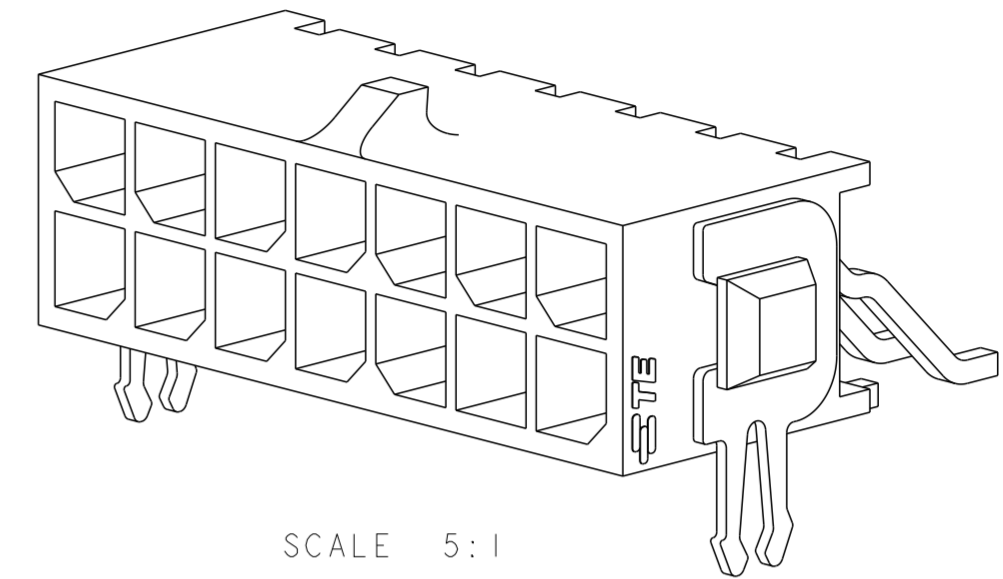
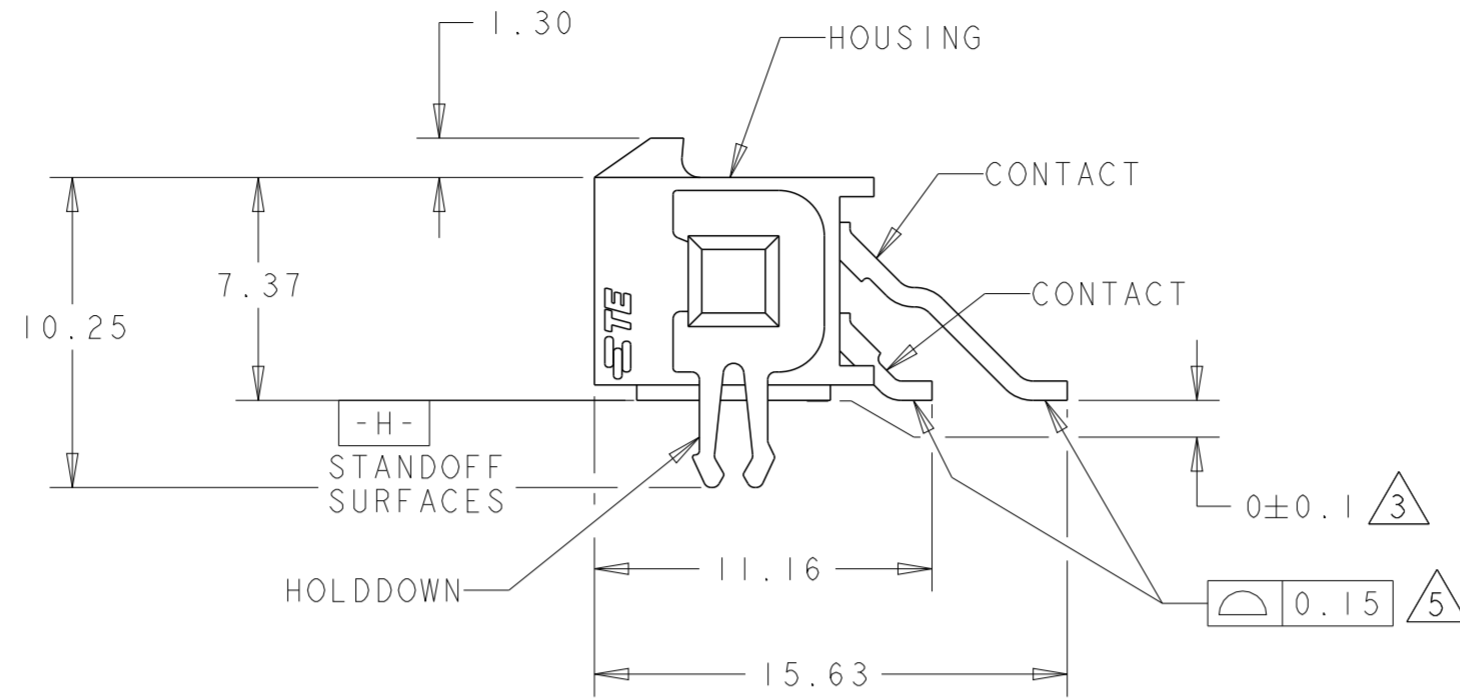
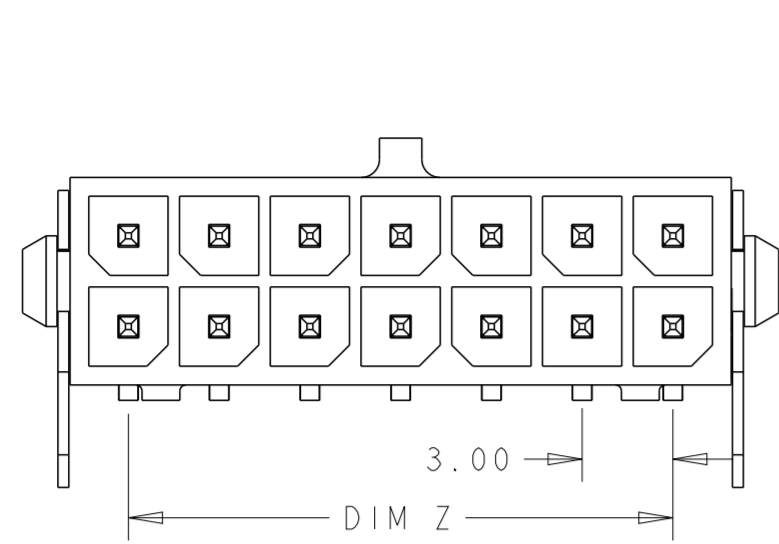


THIS DRAWING IS UNPUBLISHED. RELEASED FOR PUBLICATION 20
 © COPYRIGHT 20 BY - ALL RIGHTS RESERVED.

REVISIONS					
P	LTR	DESCRIPTION	DATE	DWN	APVD
	G1	REVISED PER ECR-16-011506	27JUN2017	NK	CX



- 1 MATERIAL;
CONTACTS - BRASS.
HOUSING - UL 94V-0 RATED HIGH TEMP NYLON,
COLOR: BLACK.
HOLDDOWNS - PHOSPHOR BRONZE.
- 2 PLATING;
CONTACTS - 0.38µm MINIMUM GOLD OVER 2.54µm
MINIMUM NICKEL ON MATING AREA.
2.54µm TIN-LEAD MINIMUM OVER 2.54µm
NICKEL MINIMUM ON SOLDER TAILS.
HOLDDOWNS - 2.54µm TIN LEAD.
- 3 DIMENSION APPLIES TO SOLDER TAIL SURFACES
AND STANDOFF SURFACES.
- 4 RECOMMENDED PC BOARD THICKNESS OF 1.57.
- 5 ALL SOLDER TAILS.
- 6 PLATING;
CONTACTS - 0.38µm MINIMUM GOLD OVER 2.54µm
MINIMUM NICKEL ON MATING AREA.
2.54µm MATTE TIN MINIMUM OVER 2.54µm
NICKEL MINIMUM ON SOLDER TAILS.
HOLDDOWNS - 2.54µm MATTE TIN.

RECOMMENDED PCB LAYOUT (COMPONENT SIDE) 4

FINISH	DIM W	DIM Y	DIM Z	DIM X	NO. OF POSN.	PART NUMBER
6	36.86	37.30	33.00	40.00	24	5-794625-4
6	33.86	34.30	30.00	37.00	22	5-794625-2
6	30.86	31.30	27.00	34.00	20	5-794625-0
6	27.86	28.30	24.00	31.00	18	4-794625-8
6	24.86	25.30	21.00	28.00	16	4-794625-6
6	21.86	22.30	18.00	25.00	14	4-794625-4
6	18.86	19.30	15.00	22.00	12	4-794625-2
6	15.86	16.30	12.00	19.00	10	4-794625-0
6	12.86	13.30	9.00	16.00	8	3-794625-8
6	9.86	10.30	6.00	13.00	6	3-794625-6
6	6.86	7.30	3.00	10.00	4	3-794625-4
6	3.86	4.30	-	7.00	2	3-794625-2
2	36.86	37.30	33.00	40.00	24	2-794625-4
2	33.86	34.30	30.00	37.00	22	2-794625-2
2	30.86	31.30	27.00	34.00	20	2-794625-0
2	27.86	28.30	24.00	31.00	18	+794625-8
2	24.86	25.30	21.00	28.00	16	+794625-6
2	21.86	22.30	18.00	25.00	14	+794625-4
2	18.86	19.30	15.00	22.00	12	+794625-2
2	15.86	16.30	12.00	19.00	10	+794625-0
2	12.86	13.30	9.00	16.00	8	794625-8
2	9.86	10.30	6.00	13.00	6	794625-6
2	6.86	7.30	3.00	10.00	4	794625-4
2	3.86	4.30	-	7.00	2	794625-2

SUPERSEDED BY 5-794625-4
 SUPERSEDED BY 5-794625-2
 SUPERSEDED BY 5-794625-0
 SUPERSEDED BY 4-794625-8
 SUPERSEDED BY 4-794625-6
 SUPERSEDED BY 4-794625-4
 SUPERSEDED BY 4-794625-2
 SUPERSEDED BY 4-794625-0
 SUPERSEDED BY 3-794625-8
 SUPERSEDED BY 3-794625-6
 SUPERSEDED BY 3-794625-4
 SUPERSEDED BY 3-794625-2

THIS DRAWING IS A CONTROLLED DOCUMENT. DWN K. WHITAKER 19MAR2003
 CHK C. JONES 19MAR2003
 APVD C. JONES 19MAR2003

STC TE Connectivity

NAME SURFACE MOUNT, RIGHT ANGLE, MECHANICAL
 HOLDDOWN, ASSEMBLY, 15 GOLD HEADER
 DUAL ROW, MICRO MATE-N-LOK™

SIZE A2 CAGE CODE - DRAWING NO. C-794625 RESTRICTED TO -
 WEIGHT - APPLICATION SPEC - PRODUCT SPEC -
 MATERIAL 1 SEE TABLE FINISH - TOLERANCES UNLESS OTHERWISE SPECIFIED:
 0 PLC ±
 1 PLC ±
 2 PLC ±0.13
 3 PLC ±
 4 PLC ±
 ANGLES ±
 FINISH -

CUSTOMER DRAWING SCALE 4:1 SHEET 1 OF 1 REV G1

Mouser Electronics

Authorized Distributor

Click to View Pricing, Inventory, Delivery & Lifecycle Information:

[TE Connectivity:](#)

[4-794625-0](#)