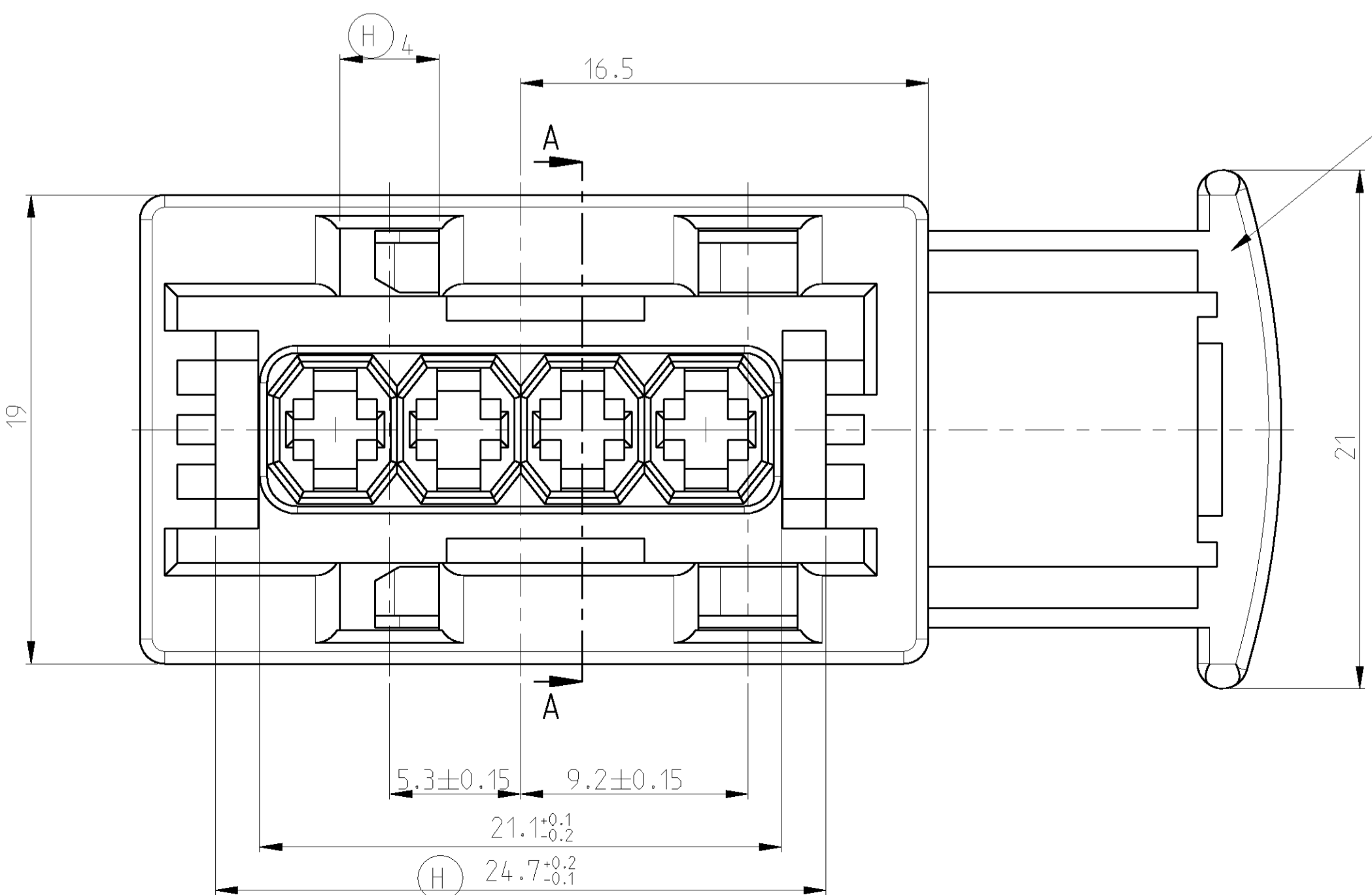
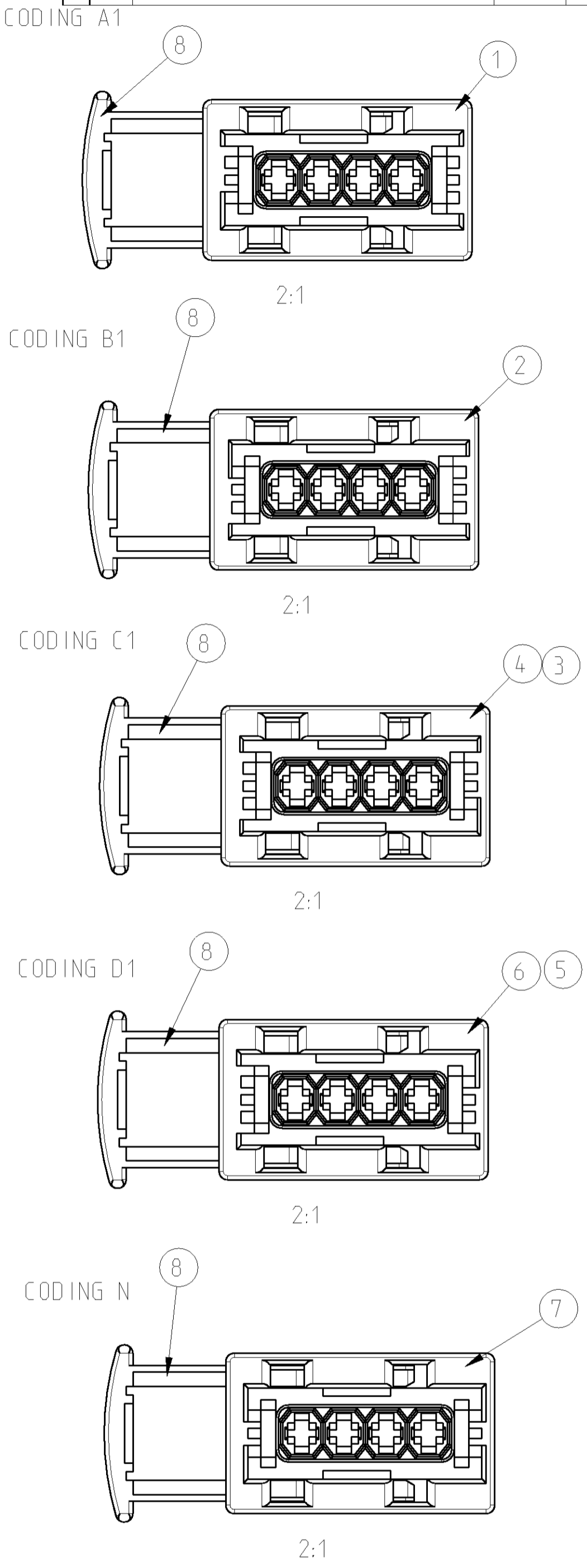
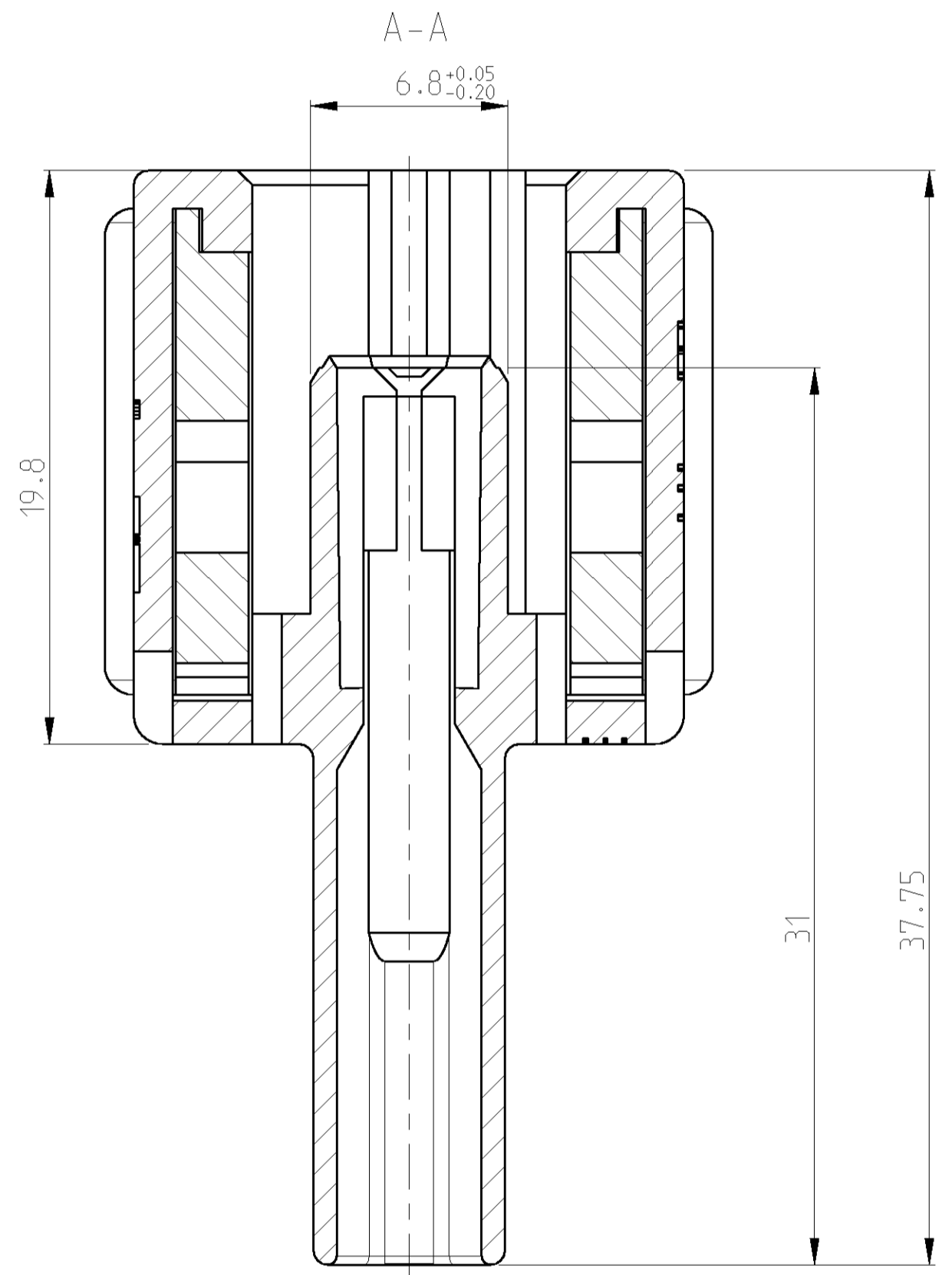
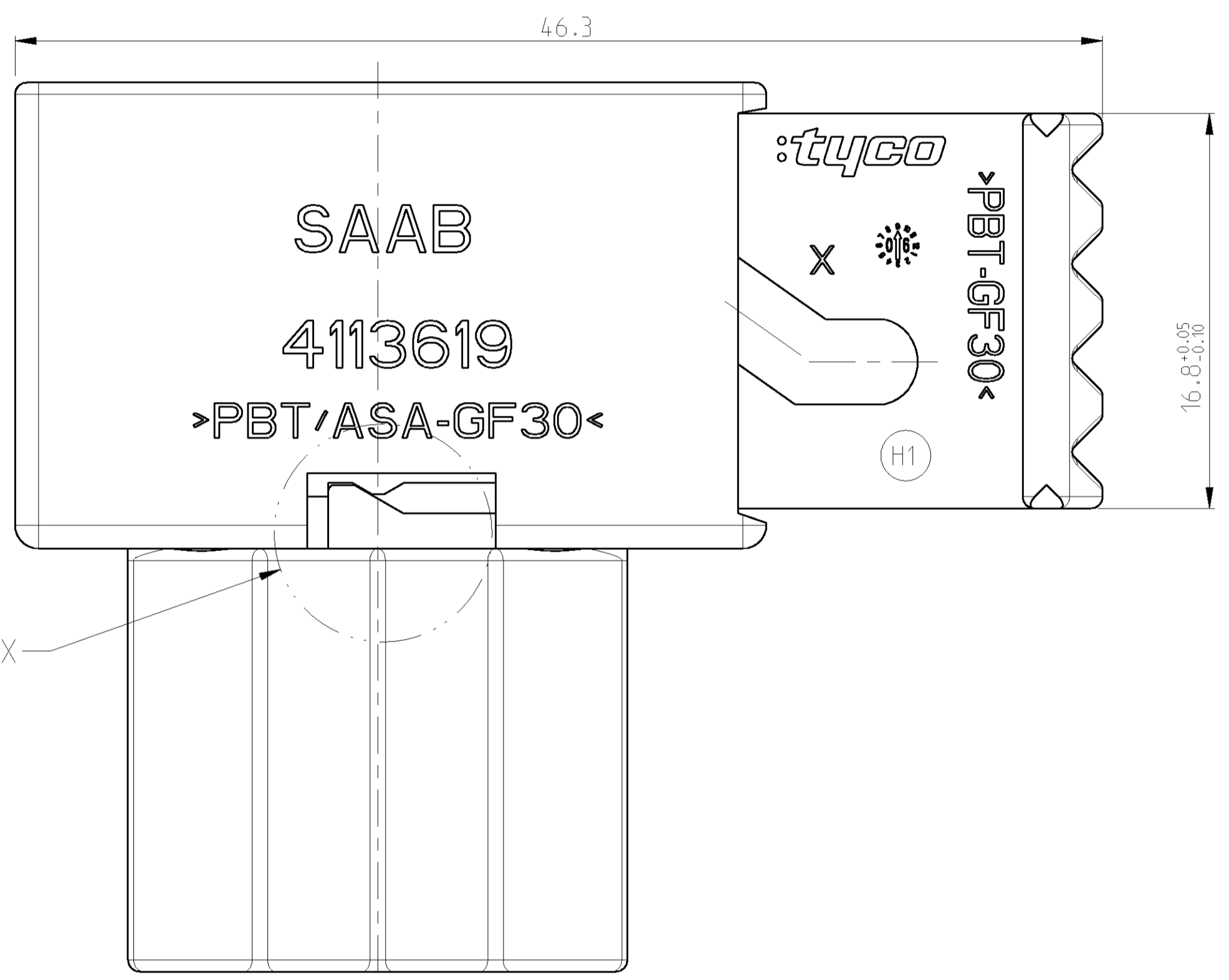
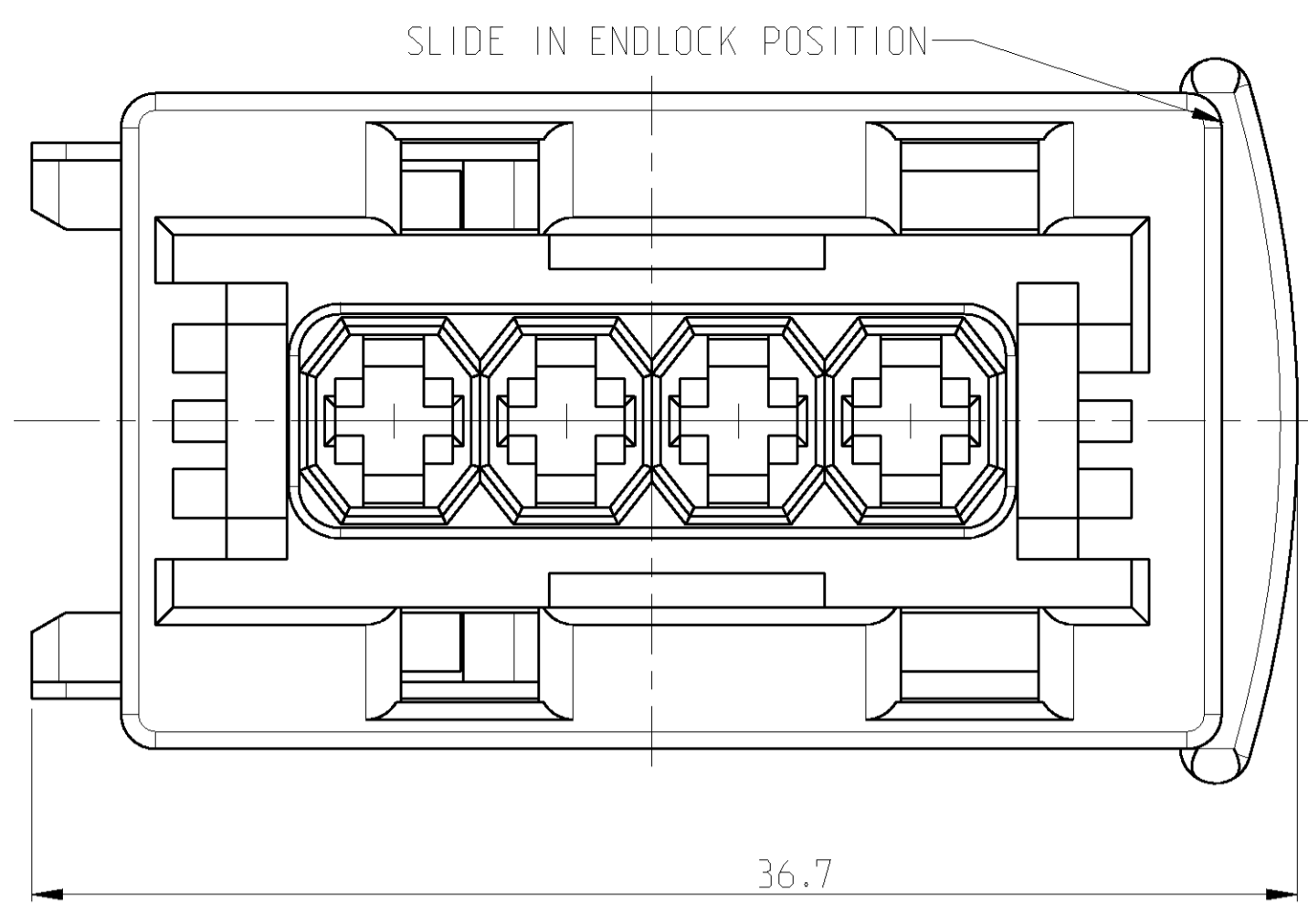
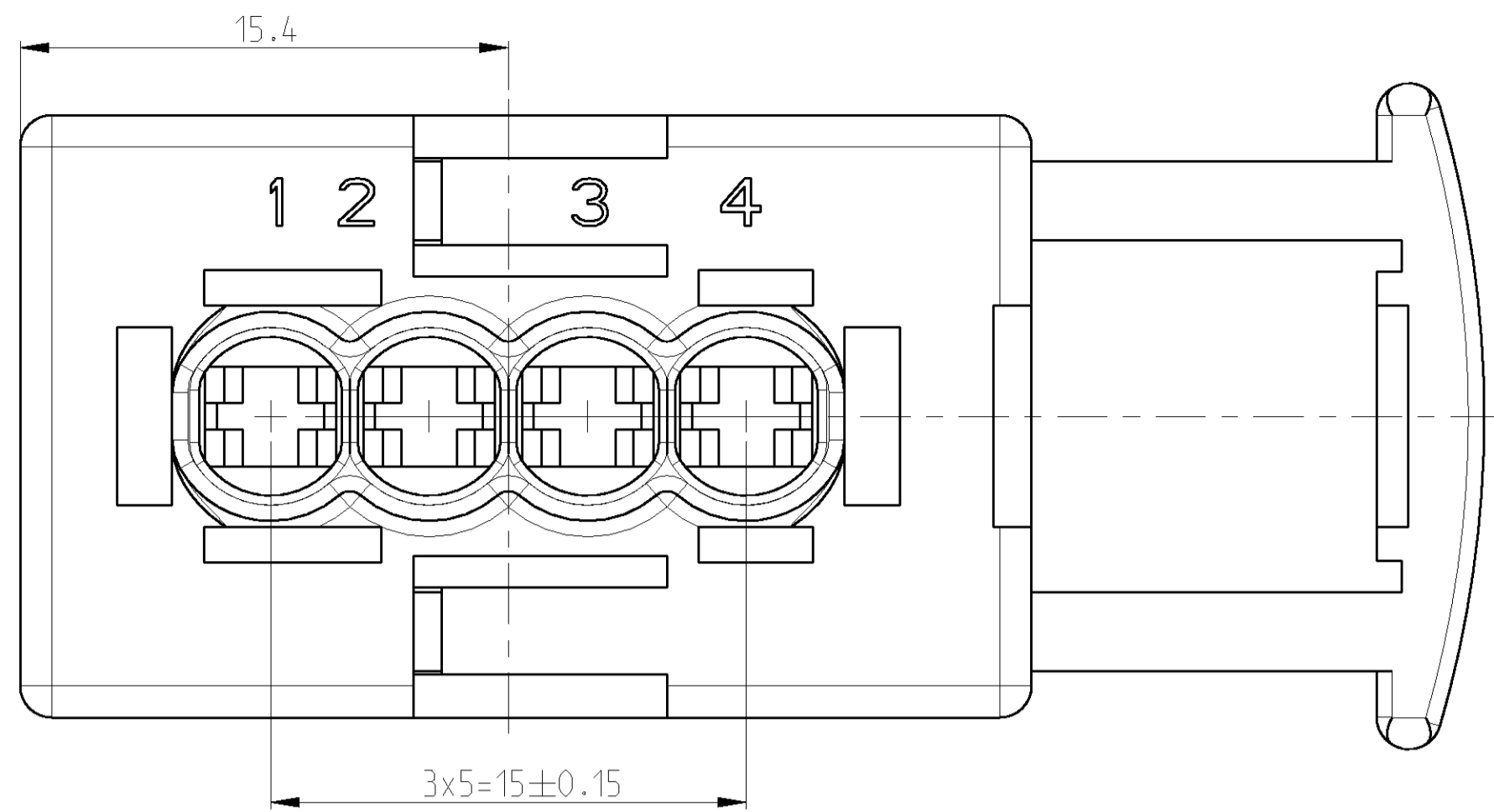
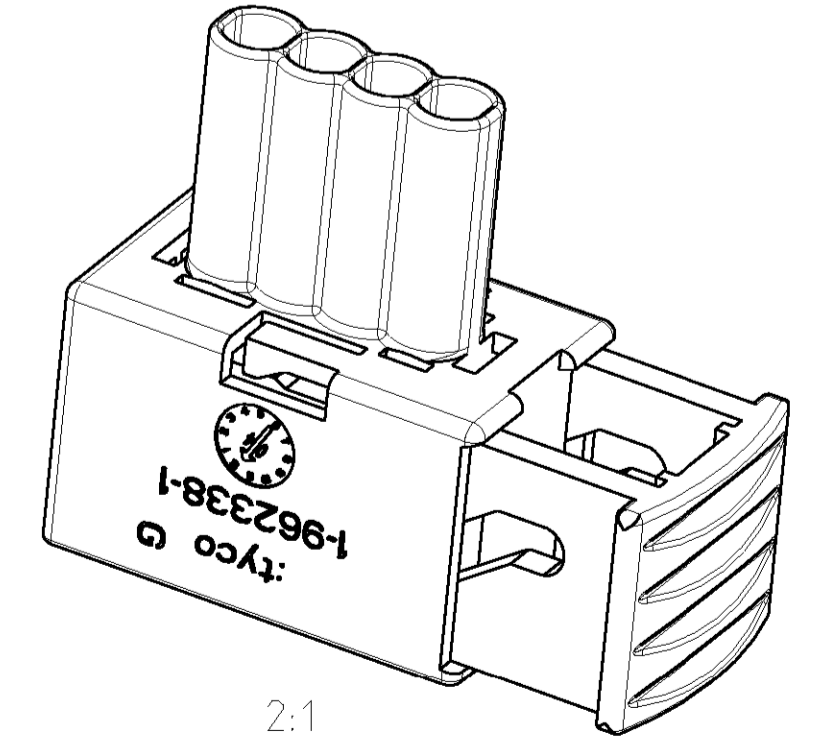
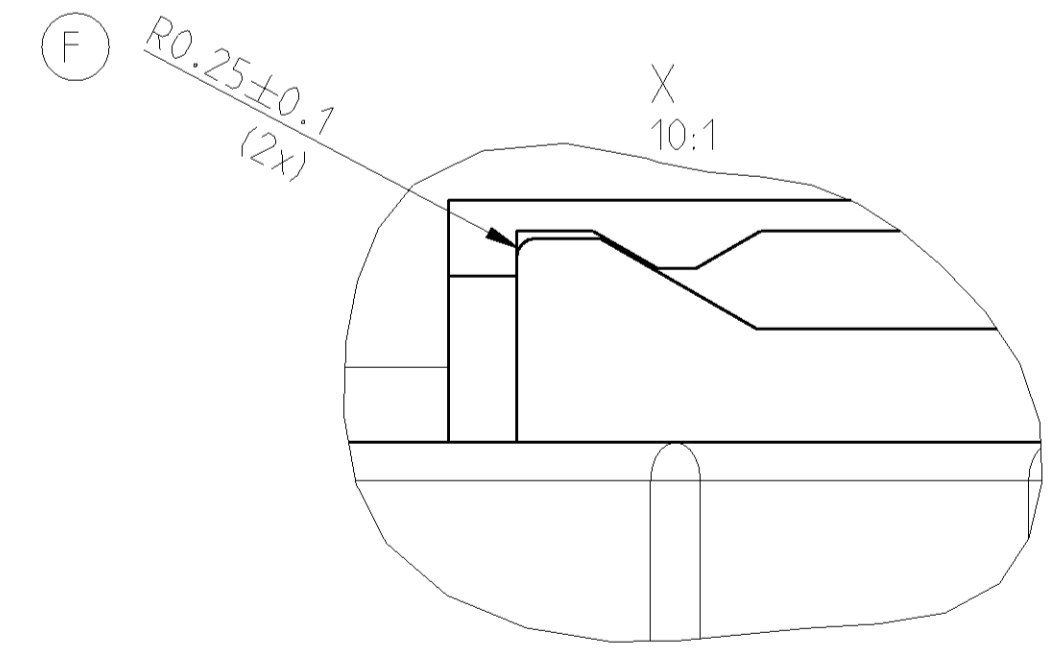


LOC		DIST		REVISIONS			
A1	-	P	LTR	DESCRIPTION	DATE	DRN	APVD
PROJECT-NO.:		H	SEE PCN. EGA0-0728-03-3		25MAY2004	M.D.	T.K.
A89-52071		H1	SEE E-06-019882		23AUG06	C.A.	T.K.



DELIVERY POSITION (G)
 CAUSED BY TRANSPORT
 THE POSITION OF THE SLIDE
 COULD CHANGE TO INTERMEDIATE
 OR CLOSED POSITION

CUSTOMER PART NO.	AMP PART NO.	REV.	PCS	MATERIAL	COLOR	DESCRIPTION	ITEM NO.
4113601	5-963207-1	H	1	PBT-GF30	RED	SLIDE	8
				PBT+ASA-GF30	WHITE	JPT HSG., 4POS.	7
4113643	4-963207-2	H	1	PBT-GF30	RED	SLIDE	8
				PBT+ASA-GF30	GREEN	JPT HSG., 4POS.	6
4113643	4-963207-1	H	1	PBT-GF30	RED	SLIDE	8
				PBT+ASA-GF30	BROWN	JPT HSG., 4POS.	5
4113635	3-963207-2	H	1	PBT-GF30	RED	SLIDE	8
				PBT+ASA-GF30	GREEN	JPT HSG., 4POS.	4
4113635	3-963207-1	H	1	PBT-GF30	RED	SLIDE	8
				PBT+ASA-GF30	BLUE	JPT HSG., 4POS.	3
4113627	2-963207-1	H	1	PBT-GF30	RED	SLIDE	8
				PBT+ASA-GF30	GREY	JPT HSG., 4POS.	2
4113619	1-963207-1	H	1	PBT-GF30	RED	SLIDE	8
				PBT+ASA-GF30	BLACK	JPT HSG., 4POS.	1



DIMENSIONS:		TOLERANCES UNLESS OTHERWISE SPECIFIED:		DRAWN: M. Dauber 24MAY2004		tyco Electronics		tyco Electronics AMP GmbH D - 64625 Bensheim	
mm		0 PLC ±0.3 1 PLC ±0.3 2 PLC ±0.3 3 PLC ± 4 PLC ±		CHK: T. Killian 25MAY2004		NAME		JUNIOR POWER TIMER HOUSING, 4 POS.	
MATERIAL		FINISH		APVD		PRODUCT SPEC		RESTRICTED TO	
						108-18102		SIZE	
						APPLICATION SPEC		CAGE CODE	
						114-18175-1		DRAWING NO.	
						WEIGHT		00779	
						CUSTOMER DRAWING		C=963207	
						SCALE		SHEET 1 OF 1	
						5:1		REV: H1	

Mouser Electronics

Authorized Distributor

Click to View Pricing, Inventory, Delivery & Lifecycle Information:

[TE Connectivity:](#)

[2-963207-1](#)