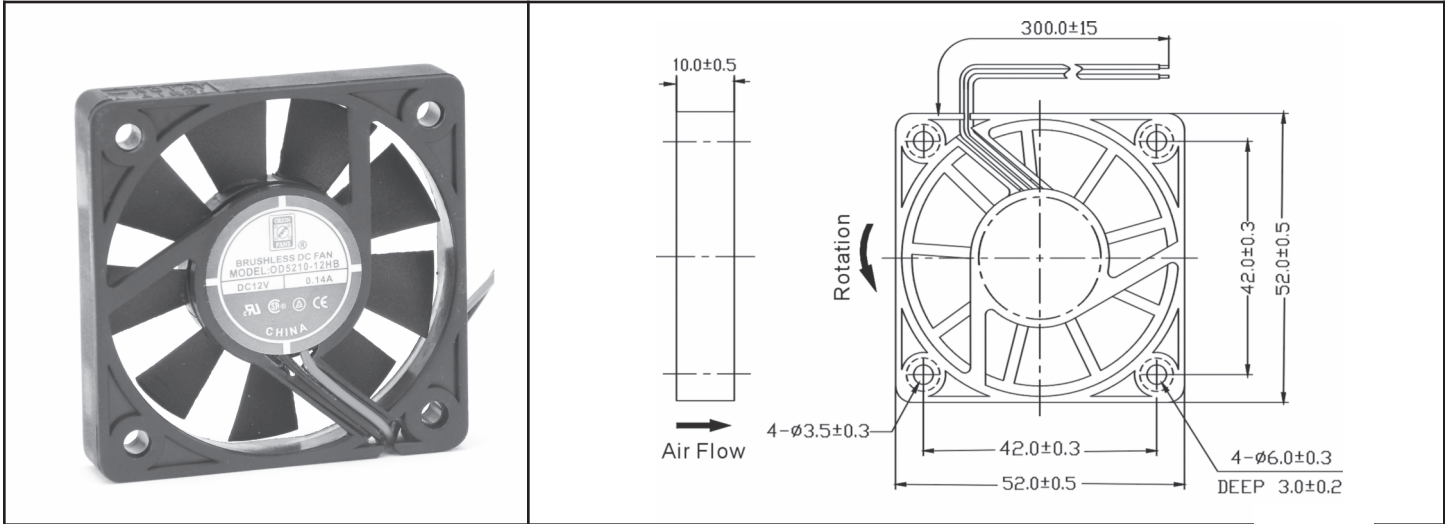


OD5210 Series



DC Fan - 5, 12V
52x10mm (2.05"x 0.39")



Frame & Impeller	PBT, UL94V-0 plastic	Available Options: Tachometer Alarm Life Expectancy (L10) Ball - 60,000 hrs (45C) Sleeve - 30,000 hrs (45C) Operating Temperature Ball: -20C + 75C Sleeve: -10C ~ +50C Weight: ~ 0.05 lbs m4	
Connection	2x Lead wires 26AWG		
Motor	Brushless DC, auto restart, impedance and polarity protected		
Bearing System	Ball bearing or Sleeve		
Insulation Resistance	10M ohm between leadwire and frame (500VDC)		
Dielectric Strength	1 minute at 500 VAC, max leakage < 500 MicroAmp		
Storage Temperature	-40C ~ +80C		

Model Number	Speed (RPM)	Airflow (CFM)	Noise (dB)	Volts DC	Voltage Range (VDC)	Amps	Max. Static Pressure (H ₂ O)
OD5210-05H *	6000	12	38	5	3.5~5.7	0.35	0.14
OD5210-05M *	5000	10	32	5	3.5~5.7	0.21	0.11
OD5210-12H *	6000	12	36	12	8~17	0.14	0.14
OD5210-12M *	5000	10	32	12	8~17	0.12	0.11

* Indicate "B" for ball bearing or "S" for sleeve bearing

Mouser Electronics

Authorized Distributor

Click to View Pricing, Inventory, Delivery & Lifecycle Information:

Orion Fans:

[OD5210-12HB](#) [OD5210-12HS](#) [OD5210-05HS](#) [OD5210-12MS](#) [OD5210-12MB](#) [OD5210-05MS](#) [OD5210-05MB](#)
[OD5210-12LB](#) [OD5210-05HB](#) [OD5210-12HB01A](#) [OD5210-05LS](#)